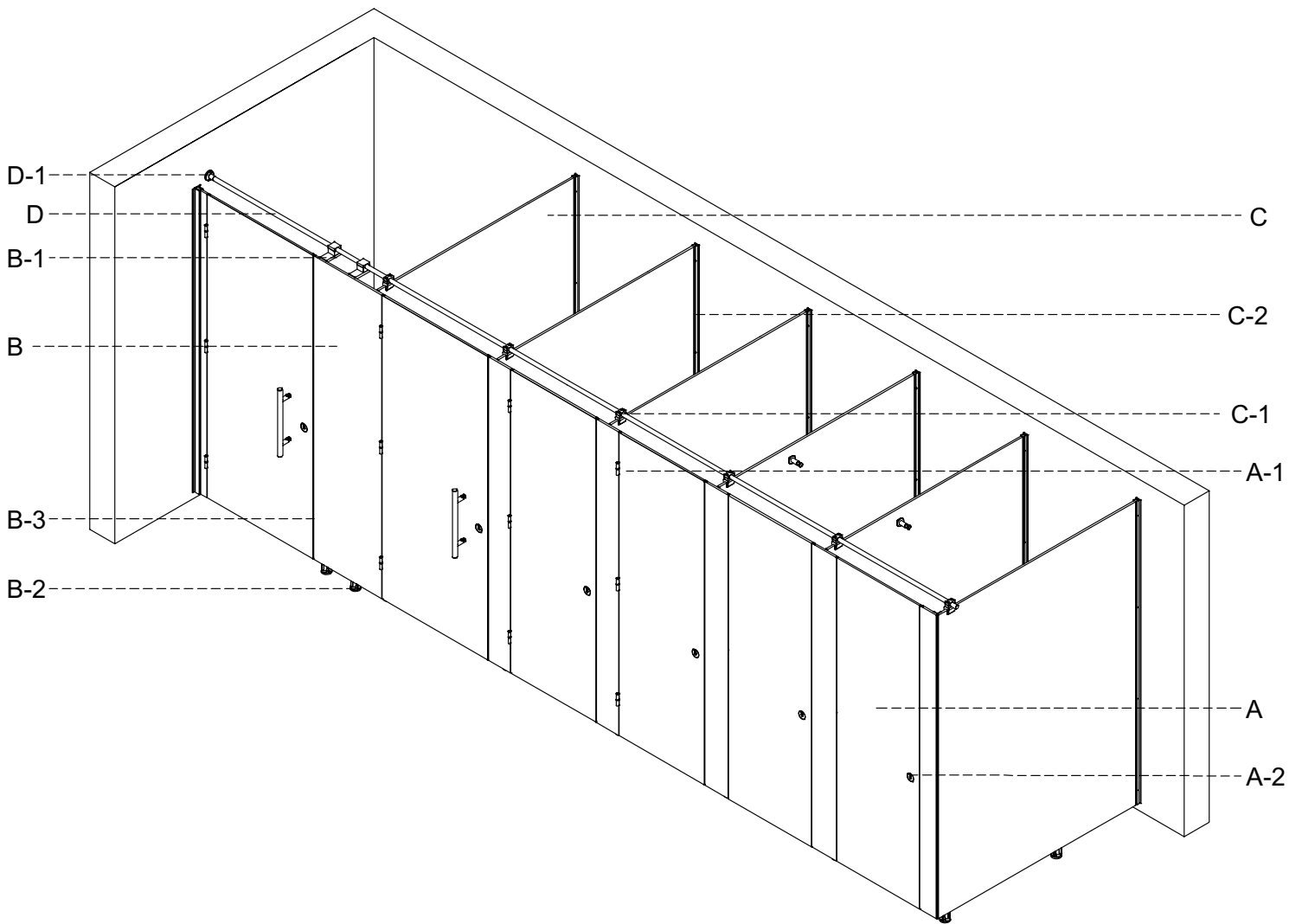


chplBOX

Installation Instructions

- + COMMERCIAL BATHROOM CUBICLE INSTALLER REQUIRED
- + STRUCTURAL CORDINATION AND CALCULATION BY OTHER
- + CARVART ASSIST WITH INSTALL AND CORDINATION



chplBOX

Installation Guide

DOOR

1. ASSEMBLE DOOR COMPONENTS ON CHPL PANEL
2. INSERT GRAVITY BUTT HINGES INTO EACH OTHER
3. STANDARD LATCH
4. SELECT PULL TYPE

FIXED PILASTER PANEL

1. BACK FASTEN TOP SUPPORT TO FIXED PILASTER PANEL
2. BACK FASTEN SUPPORT LEGS AND MOUNT TO FLOOR
3. CONNECT TO STABILIZING BAR

DIVIDER

1. MOUNT WALL CHANNEL
2. INSTALL T-CONNECTION TO FIXED PILASTER PANEL
3. INSTALL SUPPORT LEGS
4. ATTACH TOP CLAMP AND CONNECT TO STABILIZING BAR

STABILIZING BAR

1. BACK FASTEN TOP SUPPORT TO FIXED PILASTER PANEL

WALL DIVIDER

1. FASTEN TO WALL

COMPONENTS

NOTE: Letters correspond to components labeled on the 'TYPICAL COMPONENTS' diagram.

A. Door

Material: CHPL

- 9/16" Compact High Pressure Laminate
- Specify Color & Pattern

A-1 Gravity Butt Hinge

A-2 Pull Options

- Round Pull
- Rectangle Pull
- ADA Rectangle Pull
- Ladder Pull
- Back to Back Ladder Pull

A-3 Lever Latch

B. Fixed Pilaster Panel

Material: CHPL

- 9/16" Compact High Pressure Laminate
- Specify Color & Pattern

B-1 Back Fastened Top Support

B-2 Back Fastened Support Leg - Clearance Options:

- 3" Floor Clearance
- 9" Floor Clearance
- 12" Floor Clearance

B-3 Rabbeted Door Jamb with Bulb Gasket

C. Divider

Material: CHPL

- 9/16" Compact High Pressure Laminate
- Specify Color & Pattern

C-1 Top Clamp Support

C-2 Full Height Vertical Profile

C-3 Clamp Support Leg - Clearance Options:

- 3" Floor Clearance
- 9" Floor Clearance
- 12" Floor Clearance

C-4 T-Connection (to Fixed Pilaster Panel)

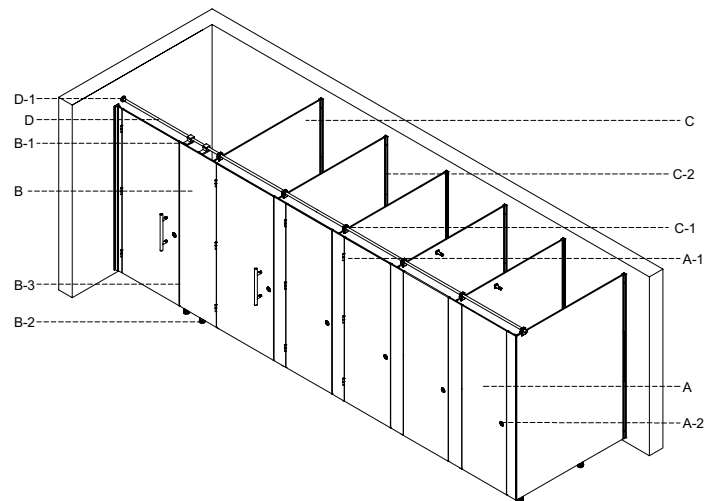
D. Stabilizing Bar

Material: Double Anodized Aluminum

- Standard Finish: Satin Anodized Aluminum
- Specify Color & Pattern

D-1 Wall Mounted Stabilizing Connection

D-2 T-Connection (If Applicable)



TOOLS NEEDED

Use other standard installation tools

DRILL

Use power tools for drilling into building structure.



SCREW DRIVER

Use hand tools only for all galls attachments



HEX KEY

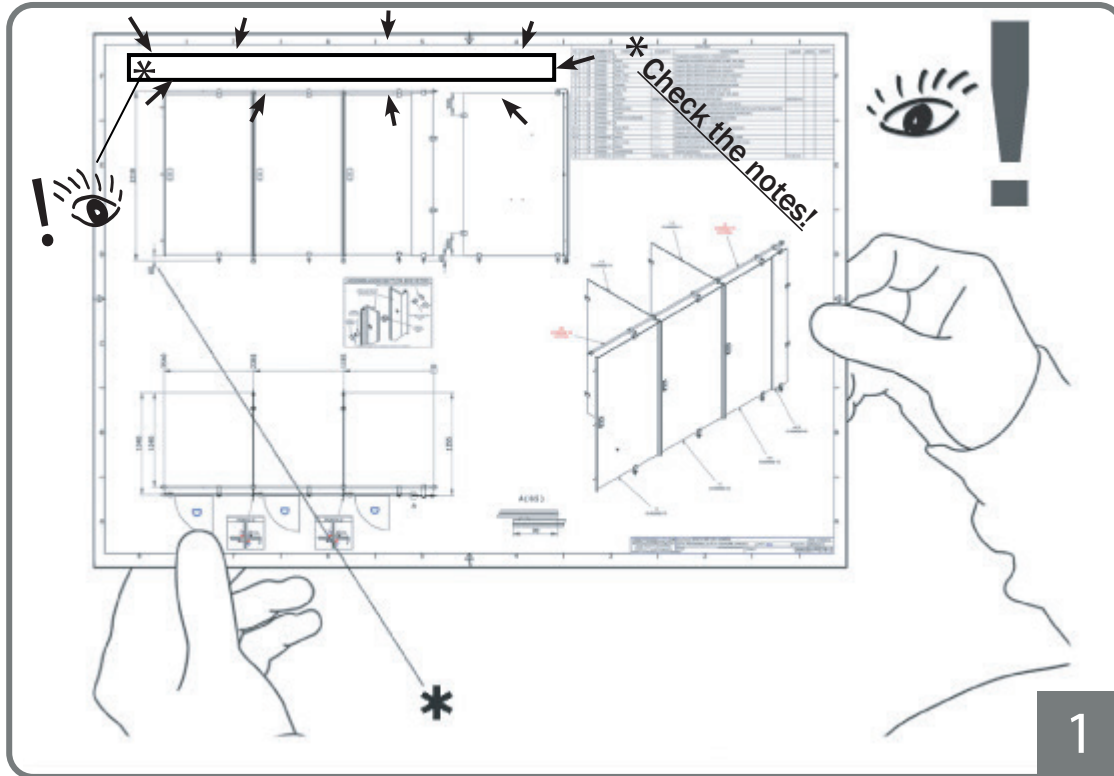
Required metric tools



INSTALLATION INSTRUCTIONS

NOTES

Check all drawings

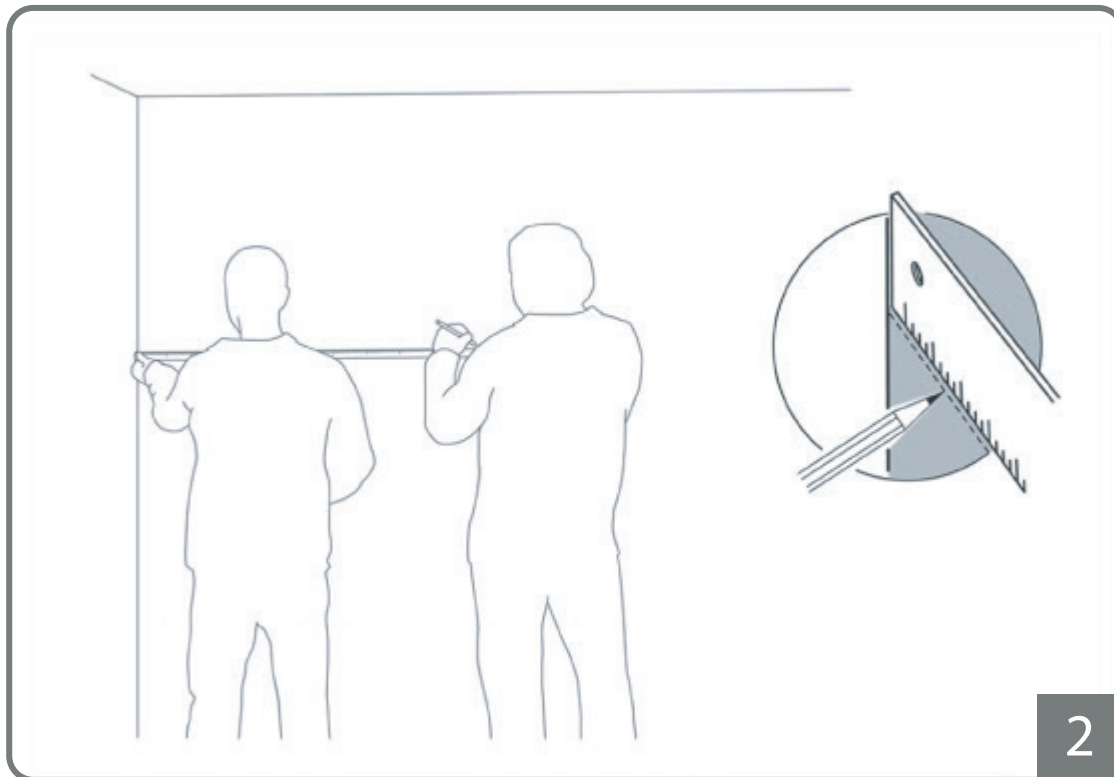


STEP 1

INSPECT CRATE CONTENT FOR ANY DAMAGE FROM SHIPPING.

DO NOT PROCEED WITHOUT THOROUGH INSPECTION OF MATERIAL.

- CHECK SHOP DRAWINGS
- CHECK FIELD DIMENSIONS
- CHECK TOOLS
- CHECK EQUIPMENT



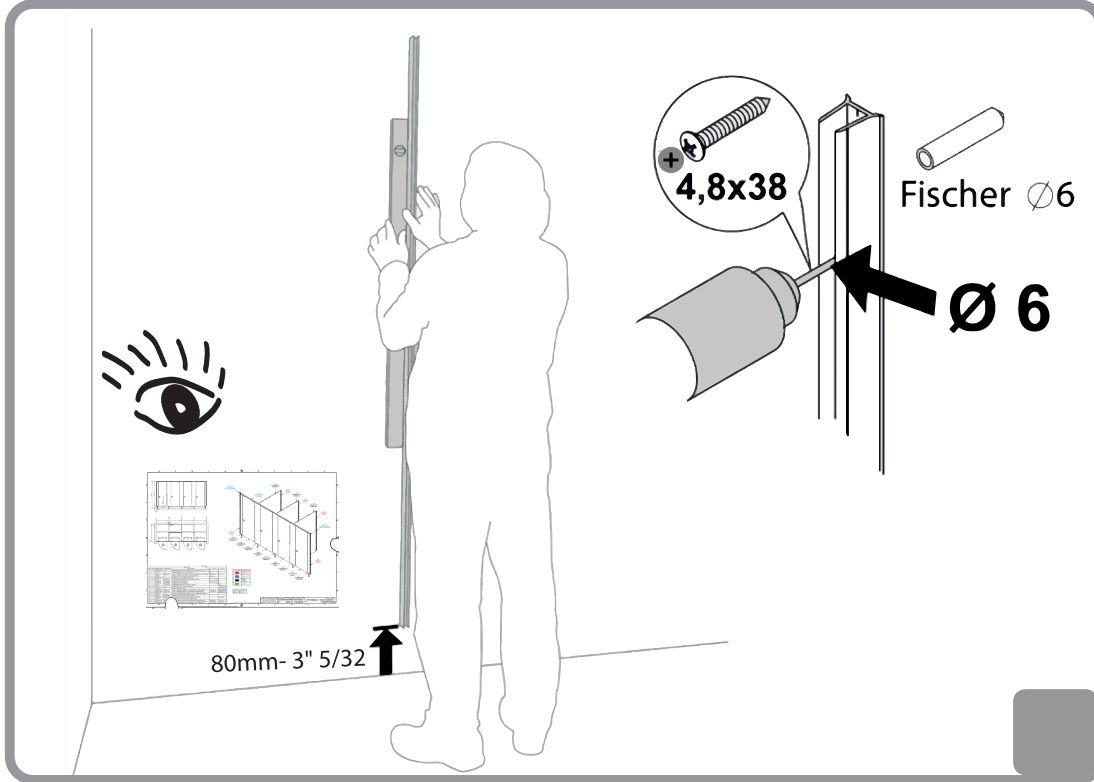
STEP 2

MEASURE AND MARK ANCHORING SPOTS

INSTALLATION INSTRUCTIONS

NOTES

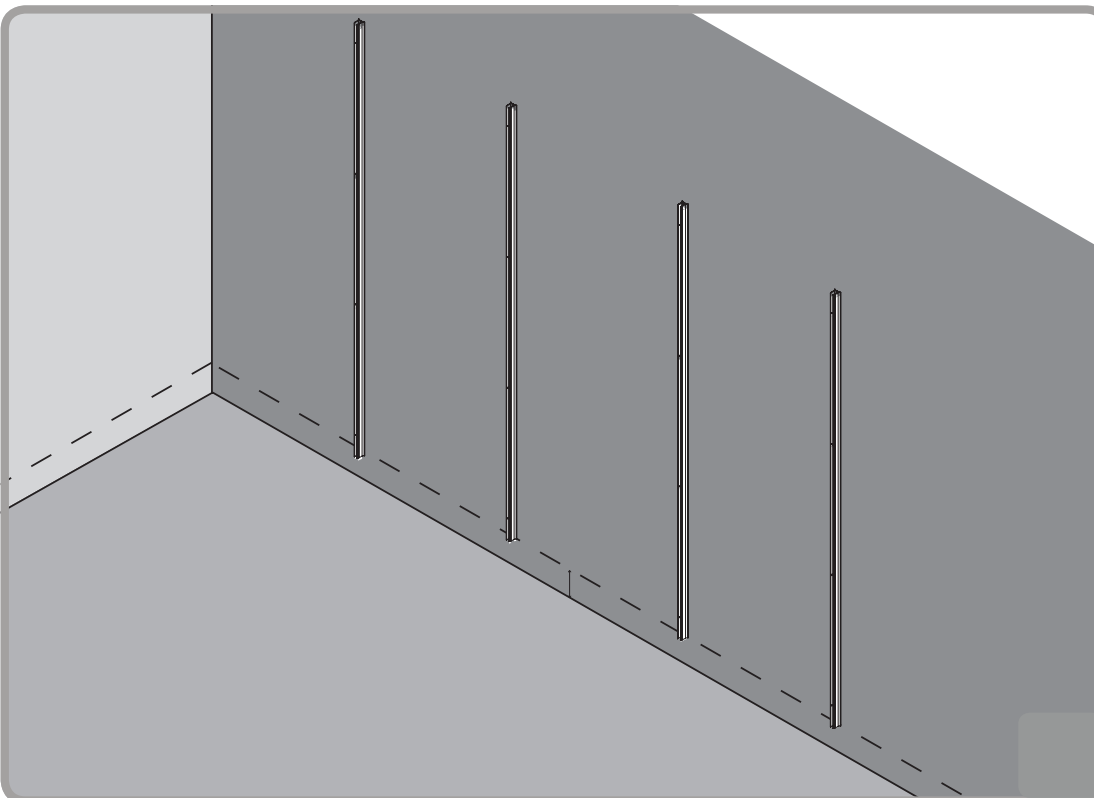
Check all drawings



STEP 3

DRILL HOLE
 INSERT ANCHOR
 FASTEN CHANNEL TO WALL
 WITH SCREW

ALTERNATE: WOOD SCREWS/
 SHEET METAL SCREW CAN
 BE USED DEPENDING ON THE
 BLOCKING TYPE PROVIDED
 BY CONTRACTOR. ALTERNATE
 TYPE OF SCREWS ARE NOT
 PROVIDED BY CARVART



STEP 4

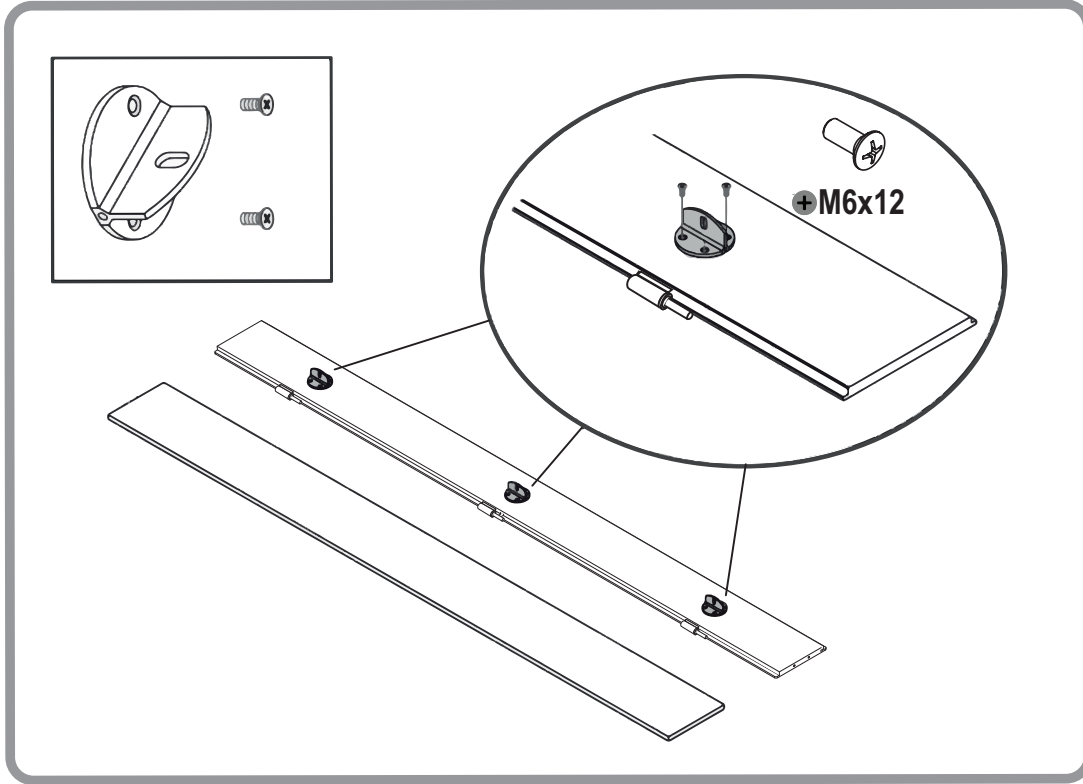
MAKE SURE ALL DIVIDER
 CHANNELS ARE LEVEL

REFER TO SHOP
 DRAWINGS FOR BLOCKING
 REQUIREMENTS.

INSTALLATION INSTRUCTIONS

NOTES

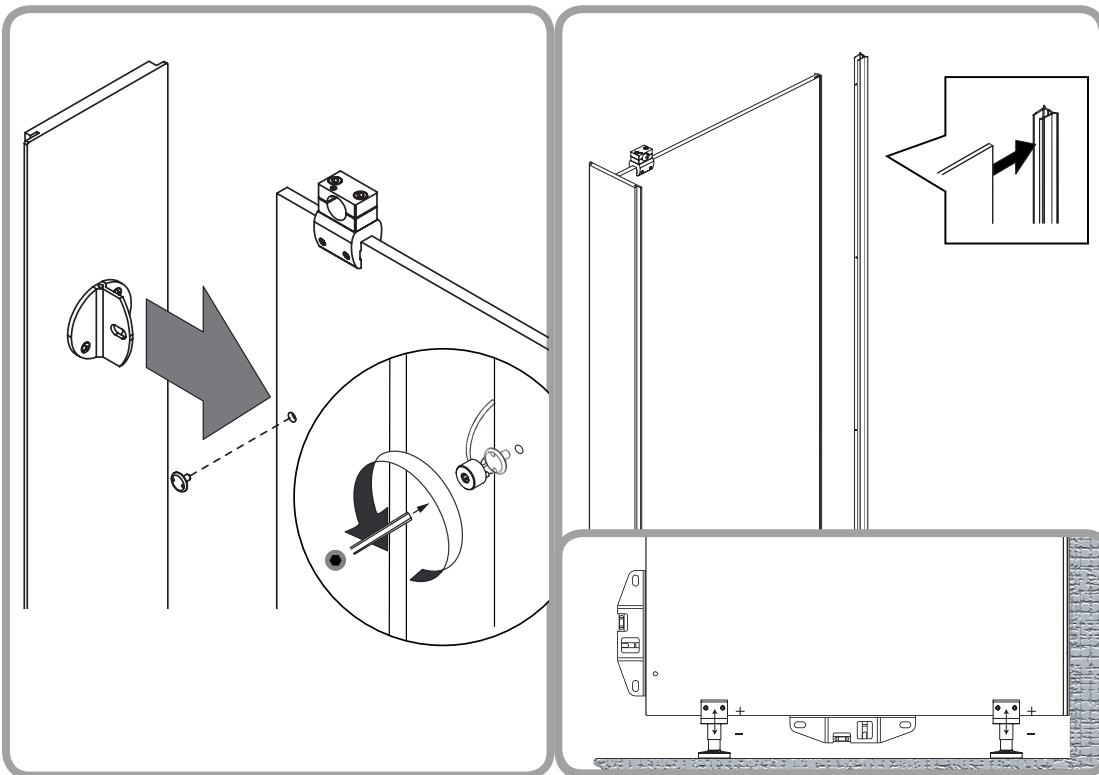
Check all drawings



STEP 5

SCREW AND FASTEN
DIVIDER T-CONNECTIONS TO
PILASTER.

THE DIVIDER WILL SLOT INTO
THESE CONNECTIONS.



STEP 6

INSERT PILASTER
INTO DIVIDER USING
T-CONNECTION.

INSERT CONNECTED DIVIDER
AND PILASTER INTO THE
MOUNTED DIVIDER CHANNEL.

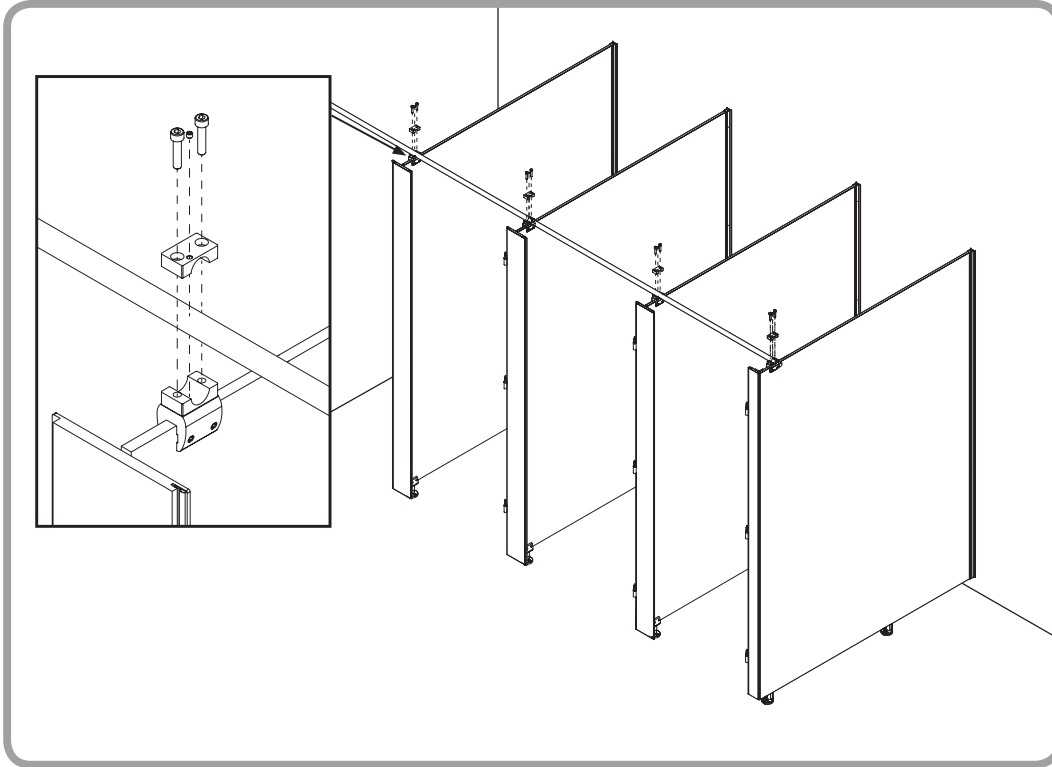
DO NOT ANCHOR THE FLOOR
SUPPORT LEG INTO THE
FLOOR UNTIL THE END.

ENSURE DIVIDER IS LEVEL.

INSTALLATION INSTRUCTIONS

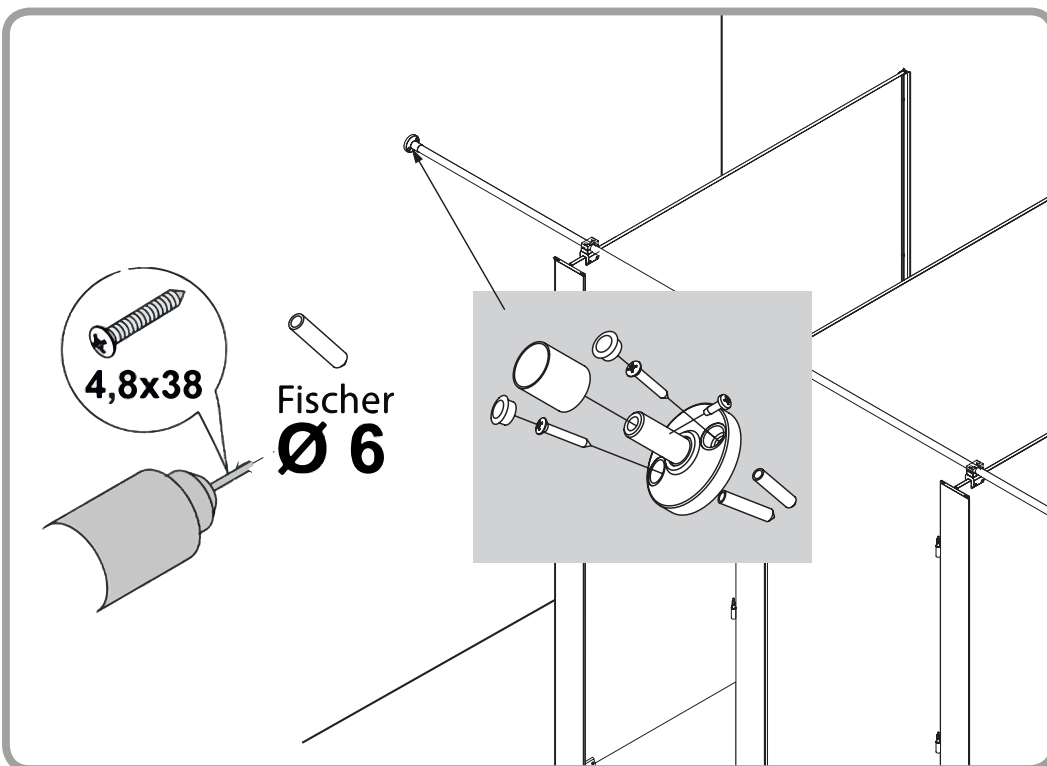
NOTES

Check all drawings



STEP 7

PLACE AND FASTEN STABILIZING BAR TO TOP DIVIDER CONNECTIONS.



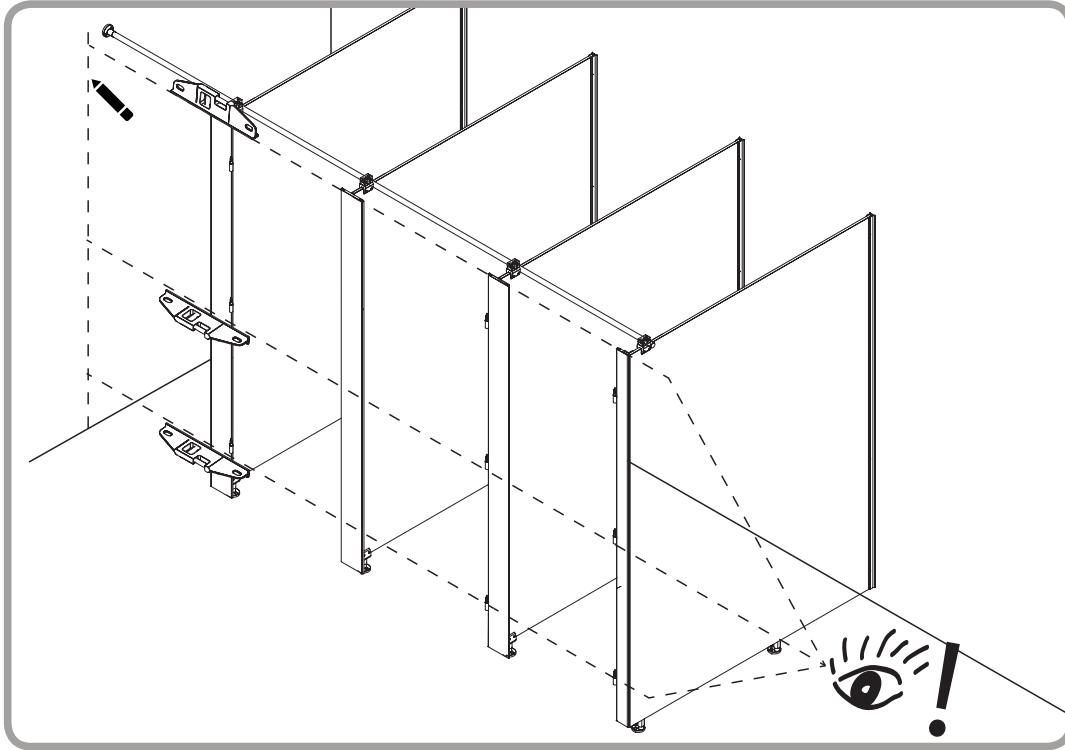
STEP 8

CONNECT STABILIZING BAR AND FASTEN STABILIZING BAR TO WALL.

INSTALLATION INSTRUCTIONS

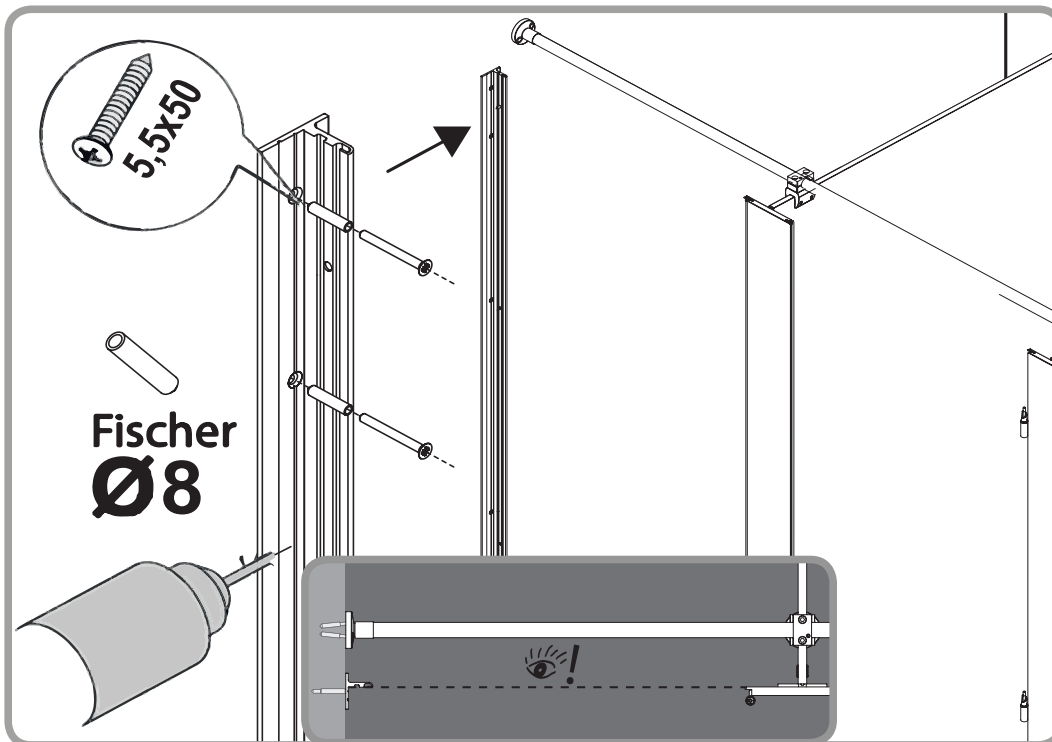
NOTES

Check all drawings



STEP 9

ENSURE ALL PANELS ARE LEVEL.



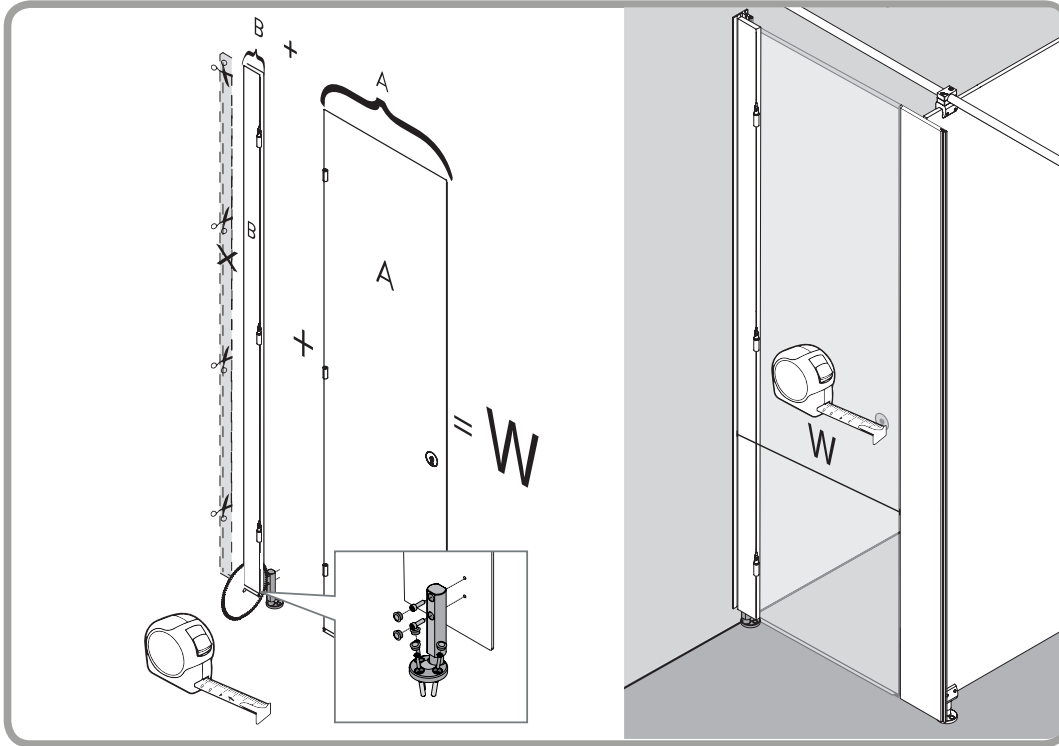
STEP 10

MOUNT AND ANCHOR TWO PIECE PILASTER CHANNEL TO WALL.

INSTALLATION INSTRUCTIONS

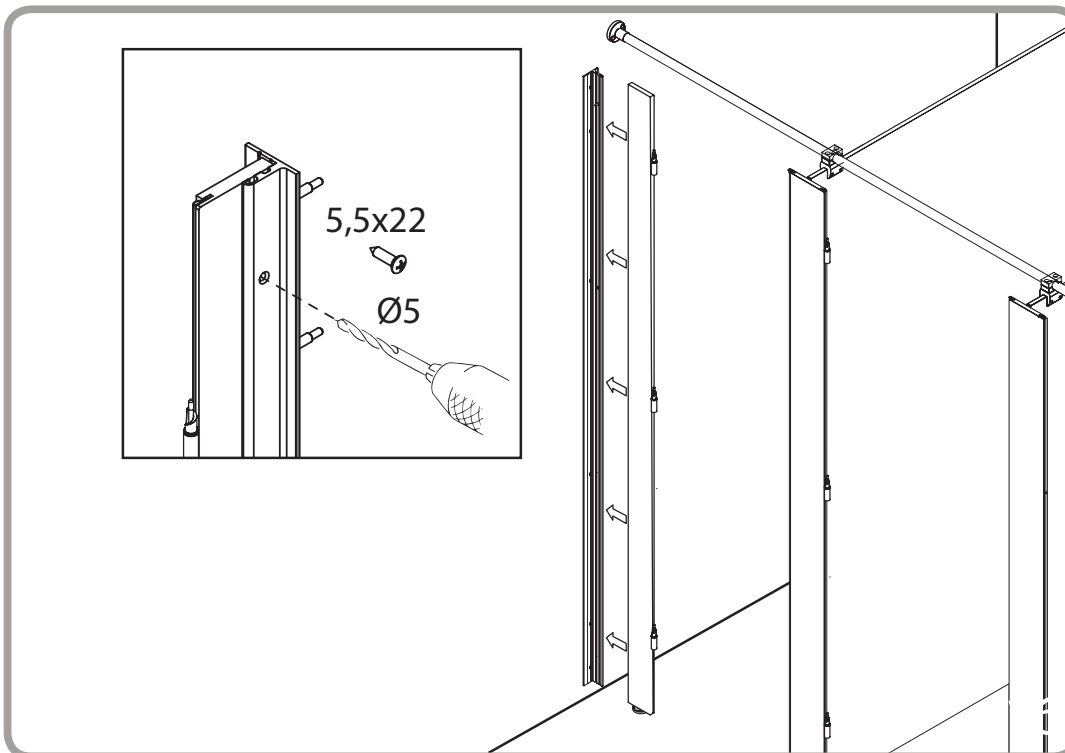
NOTES

Check all drawings



STEP 11

ENSURE SIZE OF THE OPENING WILL FIT THE DOOR ACCORDING TO SHOP DRAWINGS.



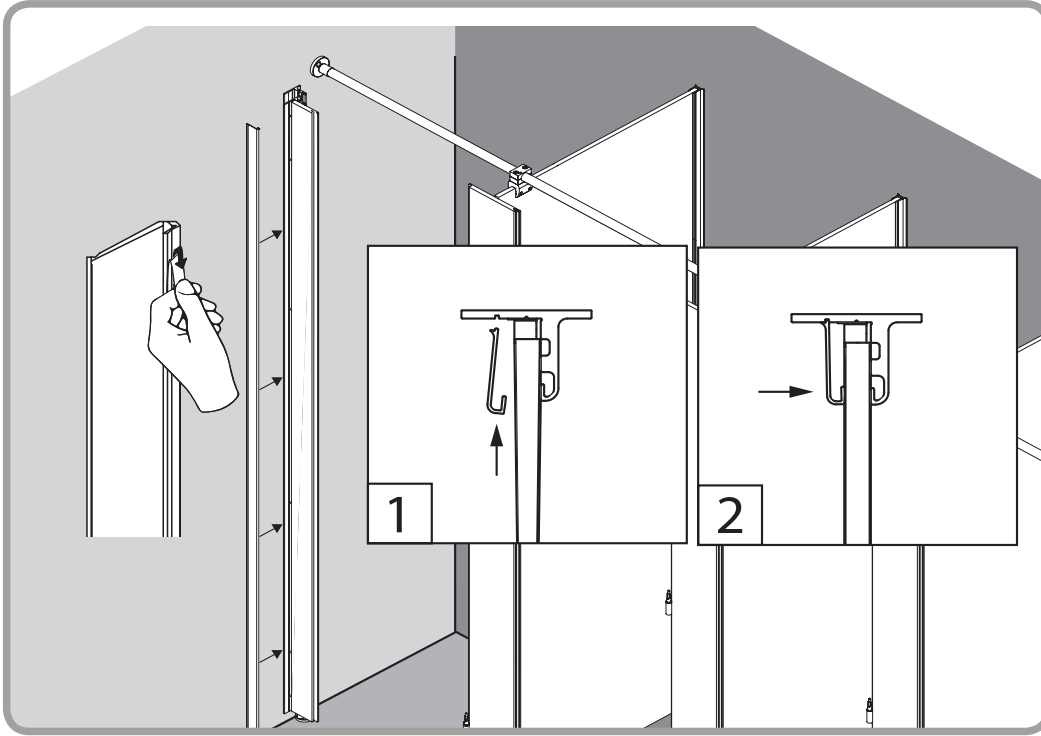
STEP 12

FASTEN TWO PIECE CHANNEL TO PILASTER.

INSTALLATION INSTRUCTIONS

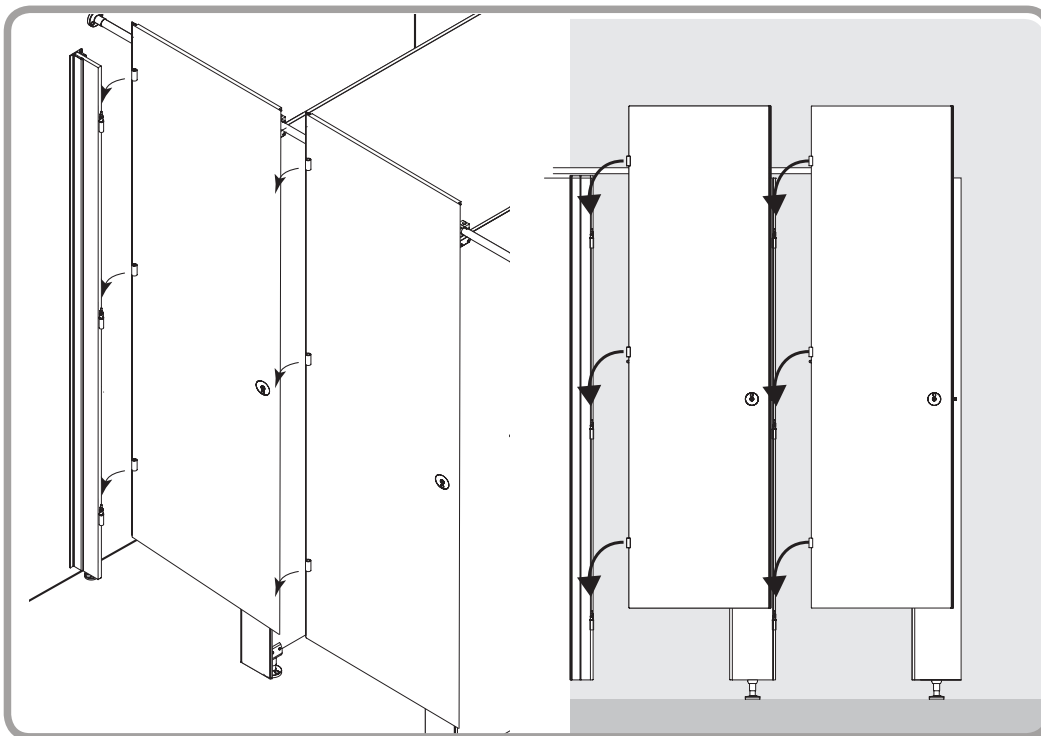
NOTES

Check all drawings



STEP 13

SNAP ON FASCIA TO COMPLETE TWO PIECE CHANNEL.



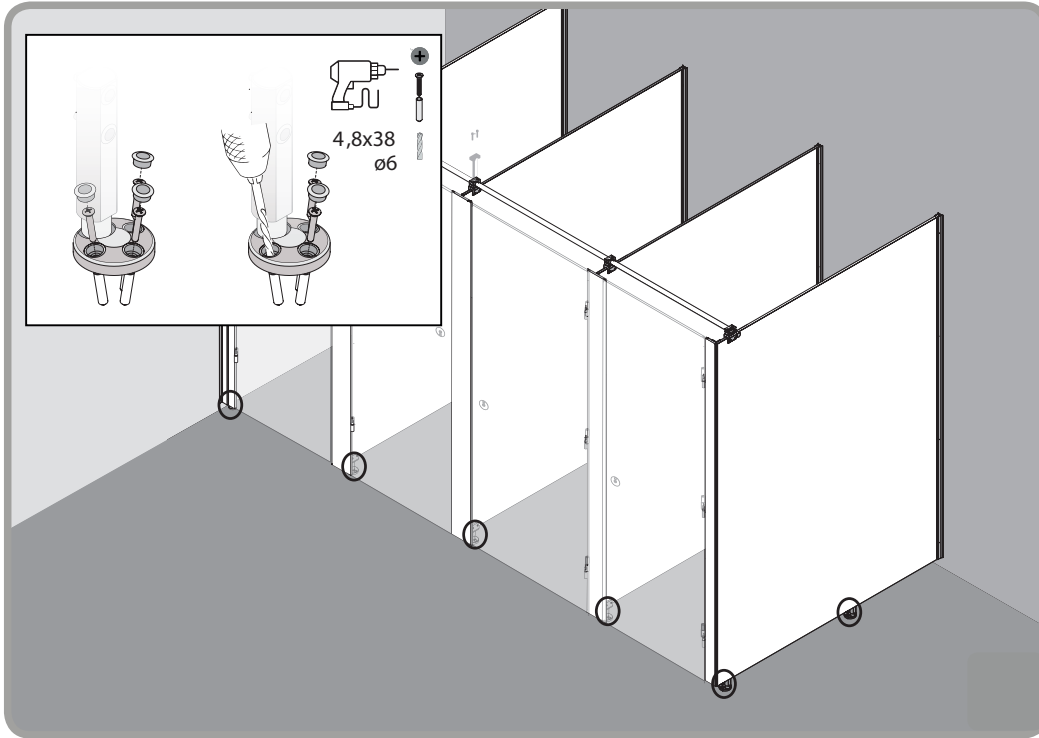
STEP 14

INSERT DOOR PANEL HINGES INTO PILASTER HINGES.

INSTALLATION INSTRUCTIONS

NOTES

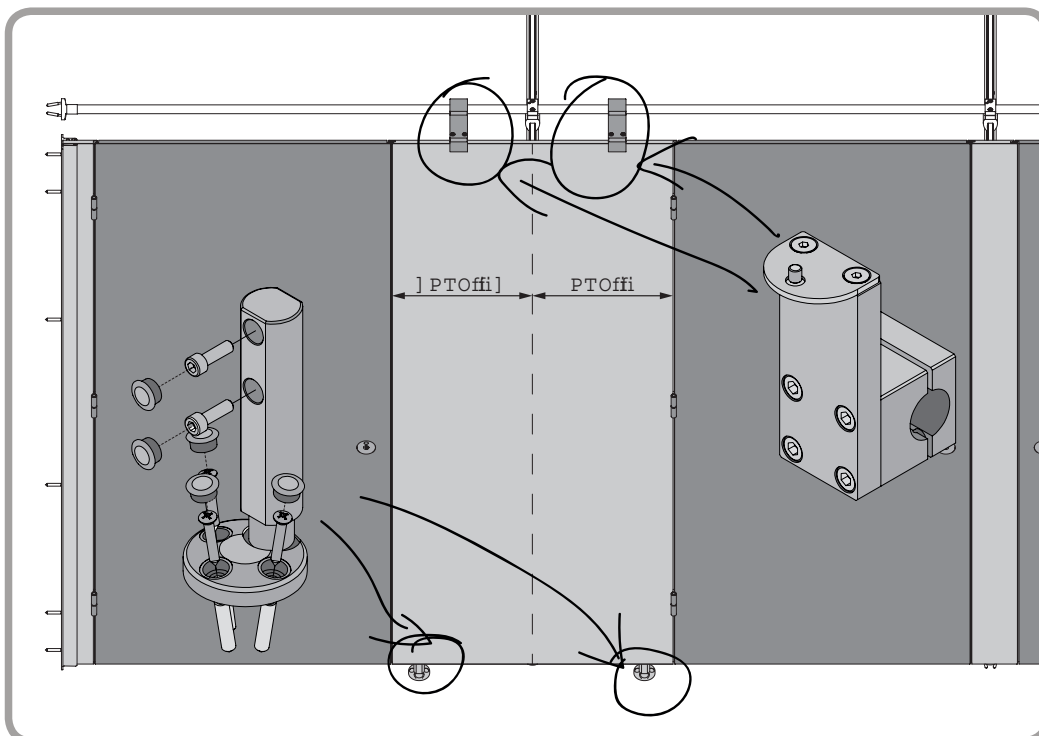
Check all drawings



STEP 15

FASTEN FLOOR SUPPORTS TO FLOOR.

- + INSTALL PILASTER TO STABILIZING BAR AND FLOOR
- + USE LEG ADJUSTMENT (+/- 3/8") TO ENSURE THE PILASTER PANEL IS INSTALLED PLUMB AND LEVEL.
- + DO NOT FASTEN LEGS TO THE FLOOR UNTIL ALL PARTITIONS ARE INSTALLED AND ADJUSTED.
- + INSERT FULL HEIGHT VERTICAL JAMB PROFILE IN SIDE OF FIXED Pilaster FRONT PANEL.
- + MUST USE NEUTRAL CURE SILICONE. PLEASE REFERE TO CARVART RECOMMENDED BRANDS.



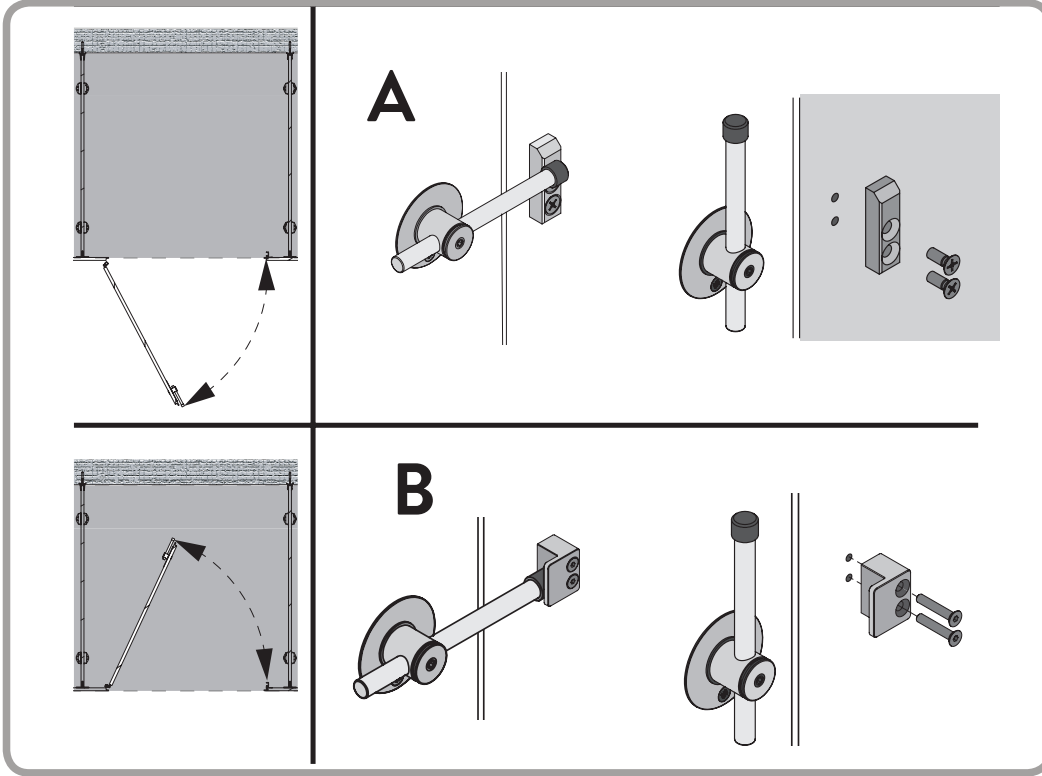
STEP 16

POSITION THE TOP AND FLOOR SUPPORTS FOR THE FIXED PILASTER AND ESURE ALL ARE LEVEL AND EVEN.

INSTALLATION INSTRUCTIONS

NOTES

Check all drawings

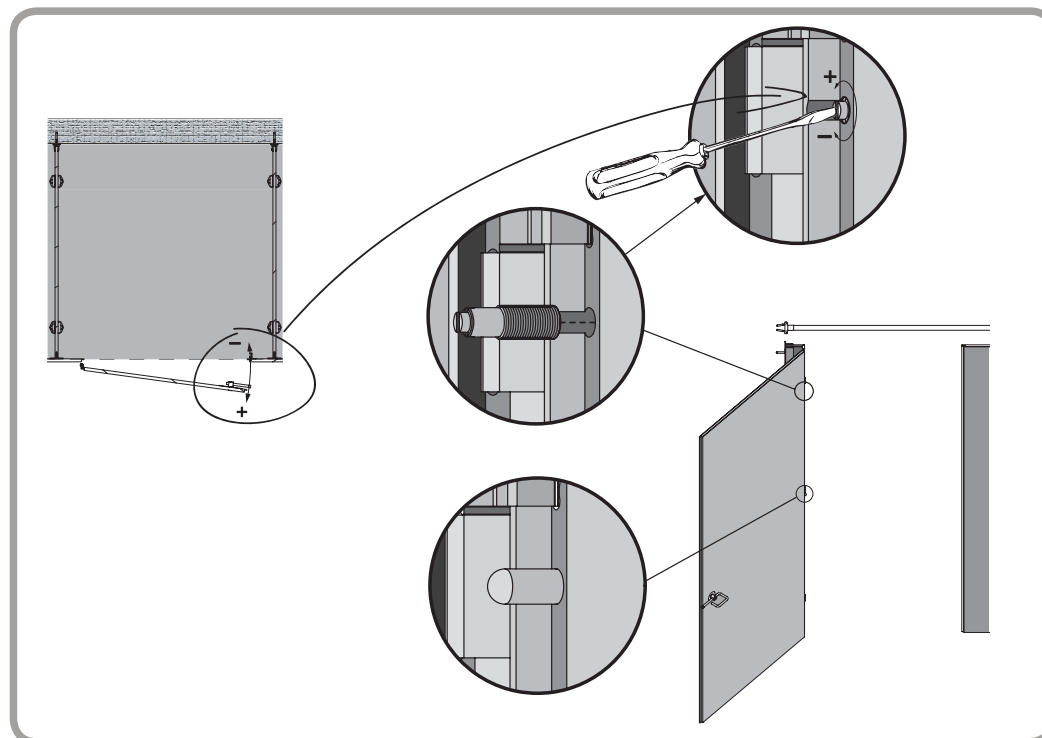


STEP 17

FASTEN JAMBS TO FIXED PROFILES.

USE TYPE A FOR OUTSWING

USE TYPE B FOR INSWING



STEP 18

+ ADJUST HINGES
FOR CLOSE OPEN
ADJUSTMENT.

INSTALLATION INSTRUCTIONS

NOTES

Check all drawings

B ADJUST

±5mm-13/64"

±5mm-13/64"

±5mm-13/64"

±5mm-13/64"

ø6mm

±5mm-13/64"

CHECK TOLLERANCE

P18

18

STEP 19

- + PLACE DOOR TO FLOOR
- + MAKE HEIGHT ADJUSTMENTS
- + MAKE LATERAL ADJUSTMENTS TO BASE PLATE

4.8x38

A FIX AT FLOOR

F-2

17

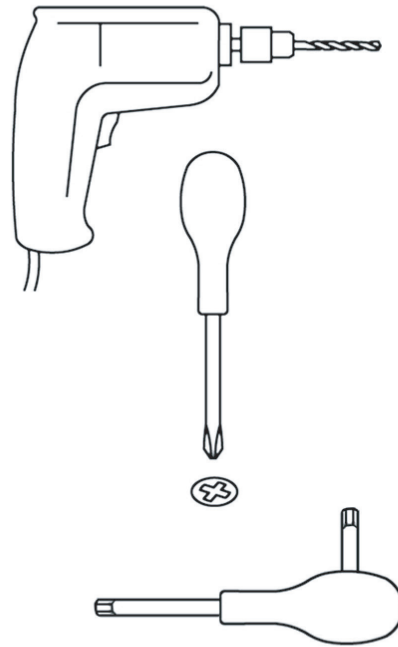
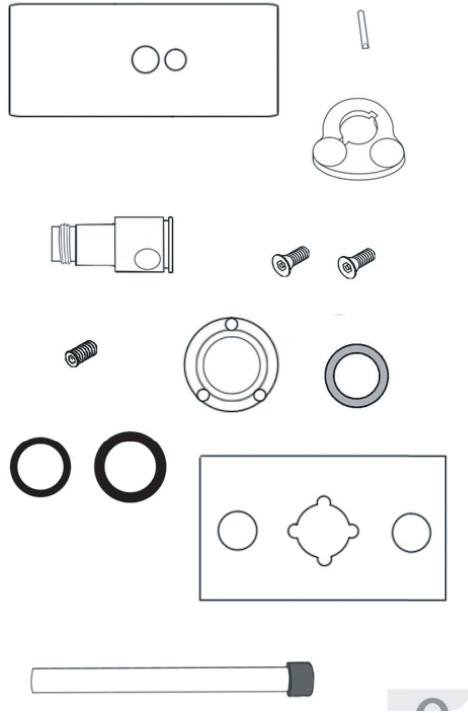
STEP 20

- + ONLY ONCE YOU ARE SATISFIED WITH ADJUSTMENTS DO YOU PROCEED TO FASTEN THE SUPPORT TO THE FLOOR.

INSTALLATION INSTRUCTIONS

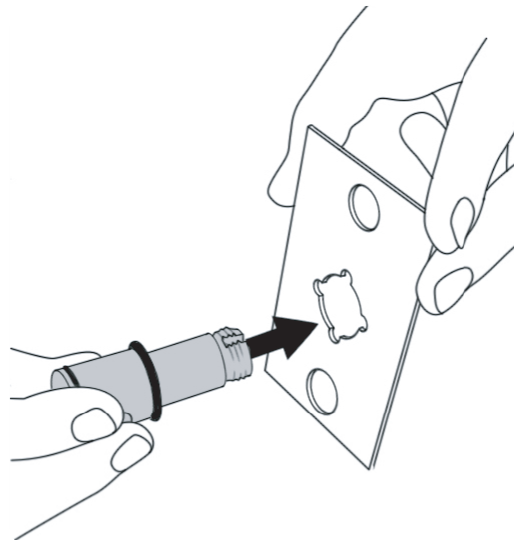
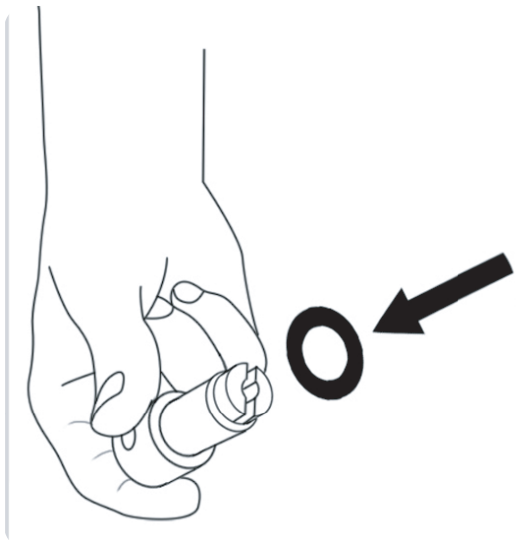
NOTES

Check all drawings



STEP 25

+ **DOUBLE CHECK YOU HAVE ALL LATCH COMPONENTS AND TOOLS**



STEP 26

+ **INSERT CIRCULAR CAP AND PLACE INTO PLASTER PLATE.**

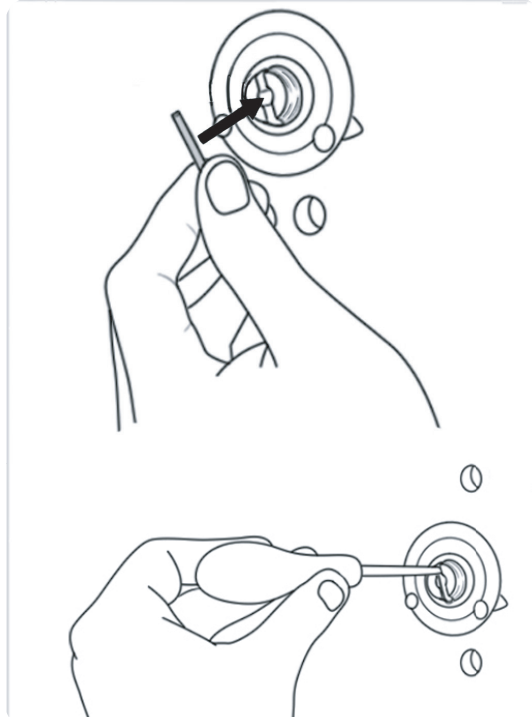
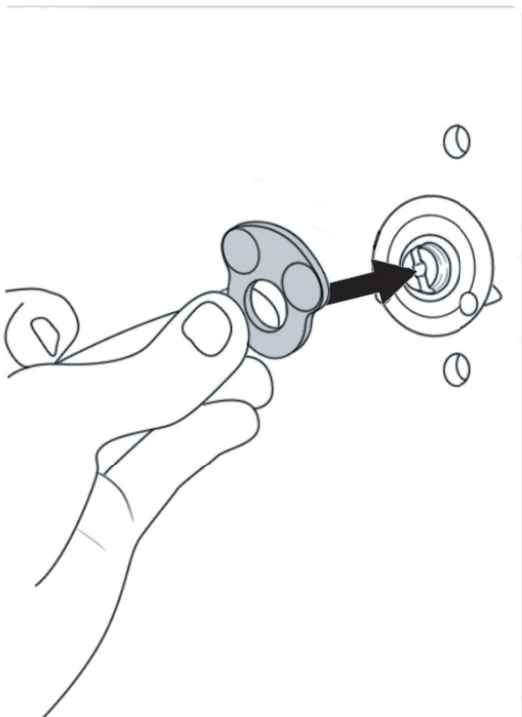
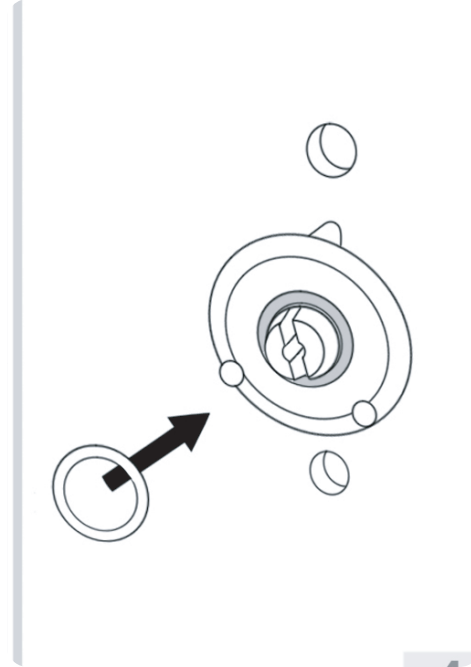
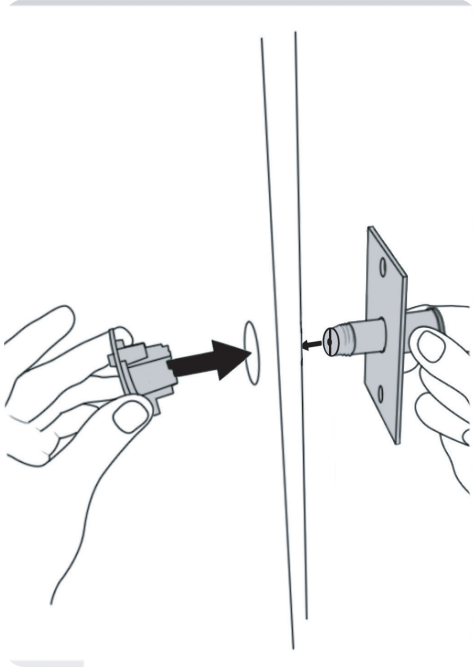
INSTALLATION INSTRUCTIONS

NOTES

Check all drawings

STEP 27

+ ASSEMBLE SELECTED
DOOR HARDWARE ON
DOOR PANEL



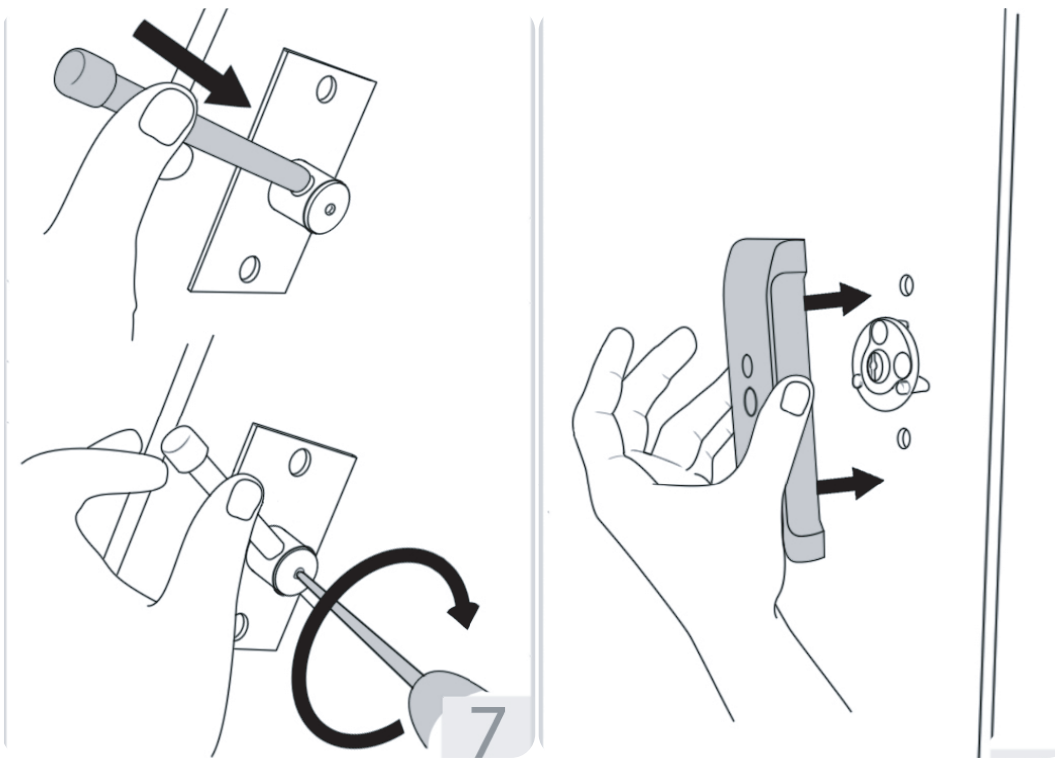
STEP 28

+ ASSEMBLE SELECTED
DOOR HARDWARE ON
DOOR PANEL

INSTALLATION INSTRUCTIONS

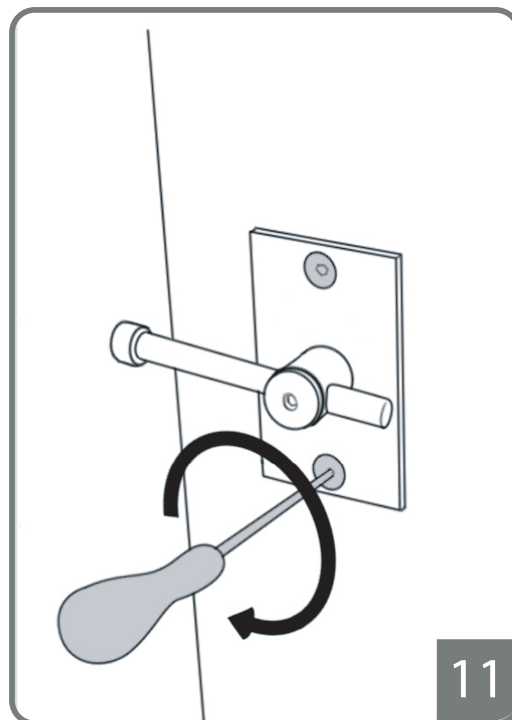
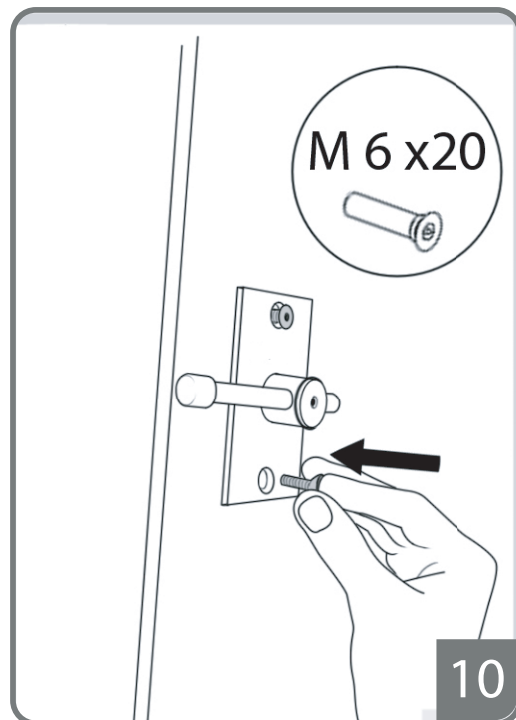
NOTES

Check all drawings



STEP 29

- + ASSEMBLE SELECTED DOOR HARDWARE ON DOOR PANEL



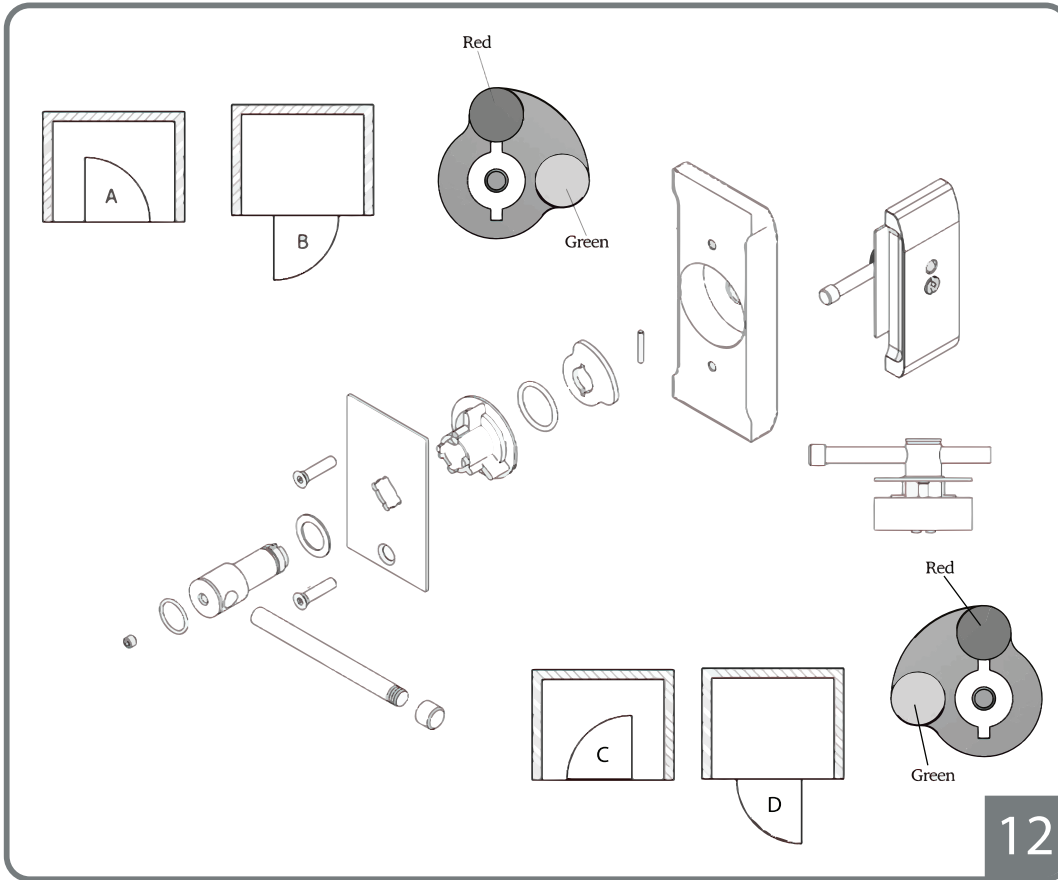
STEP 30

- + ASSEMBLE SELECTED DOOR HARDWARE ON DOOR PANEL

INSTALLATION INSTRUCTIONS

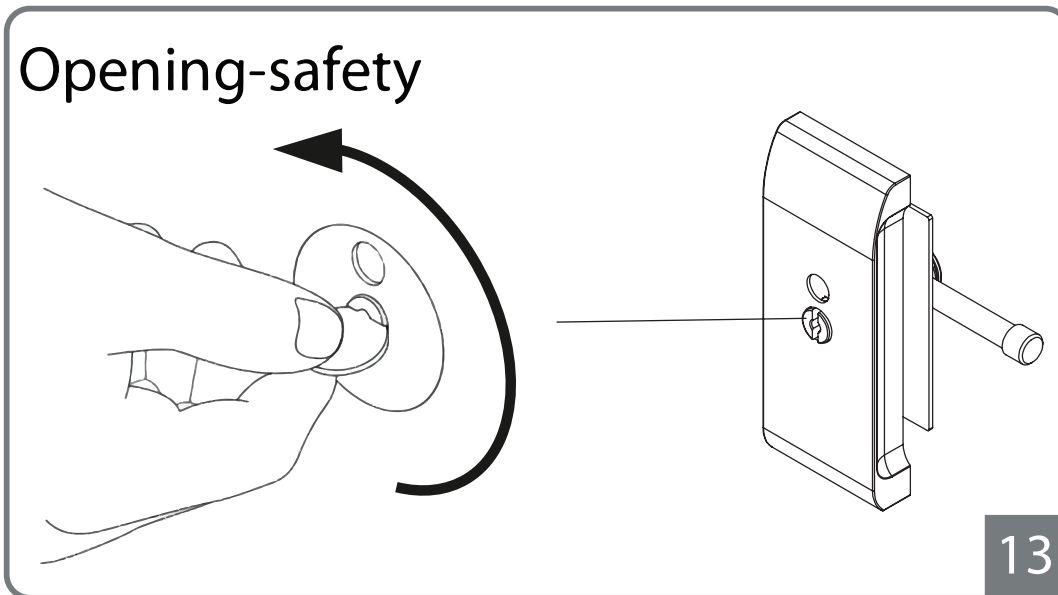
NOTES

Check all drawings



STEP 31

+ ASSEMBLE SELECTED DOOR HARDWARE ON DOOR PANEL



STEP 32

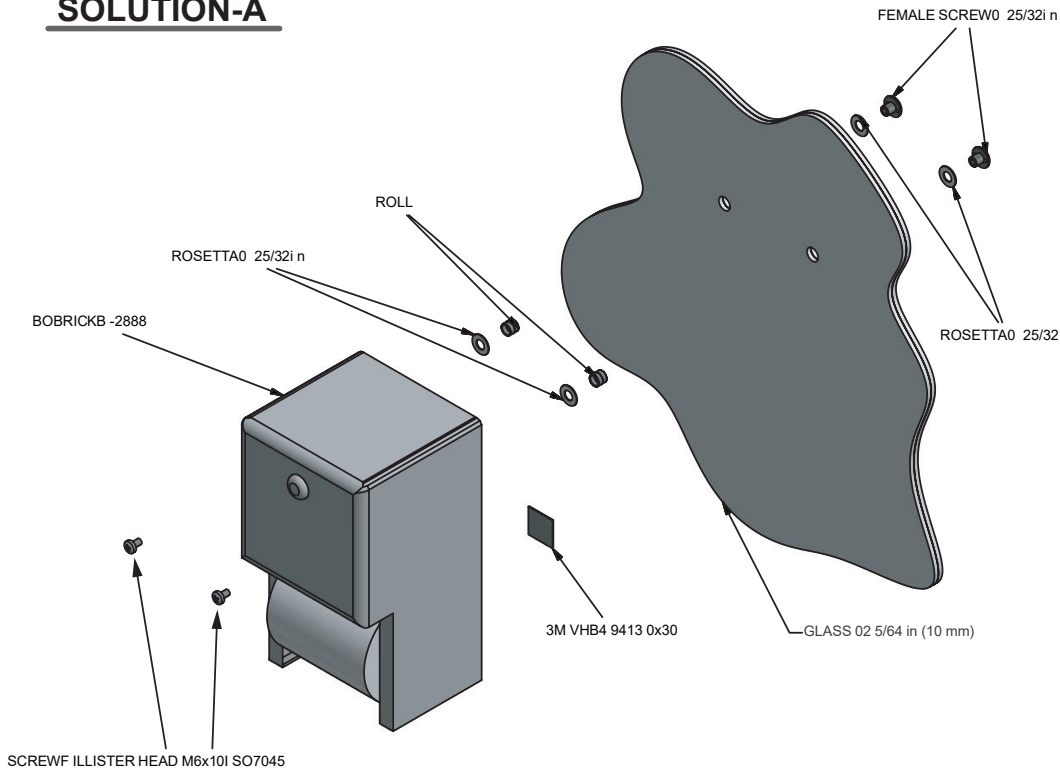
+ ASSEMBLE SELECTED DOOR HARDWARE ON DOOR PANEL

PRE-APPROVED 3RD PARTY ACCESSORIES

NOTES

Check all drawings

SOLUTION-A



EXAMPLE 1

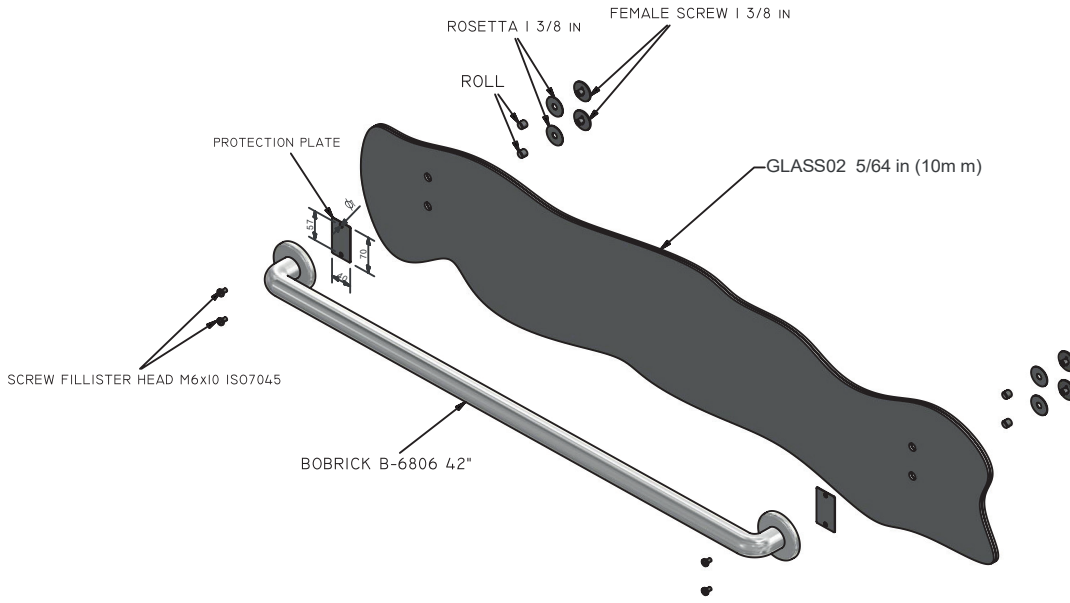
+ ASSEMBLE PRE-APPROVED 3RD PARTY ACCESSORY.

PRE-APPROVED 3RD PARTY ACCESSORIES

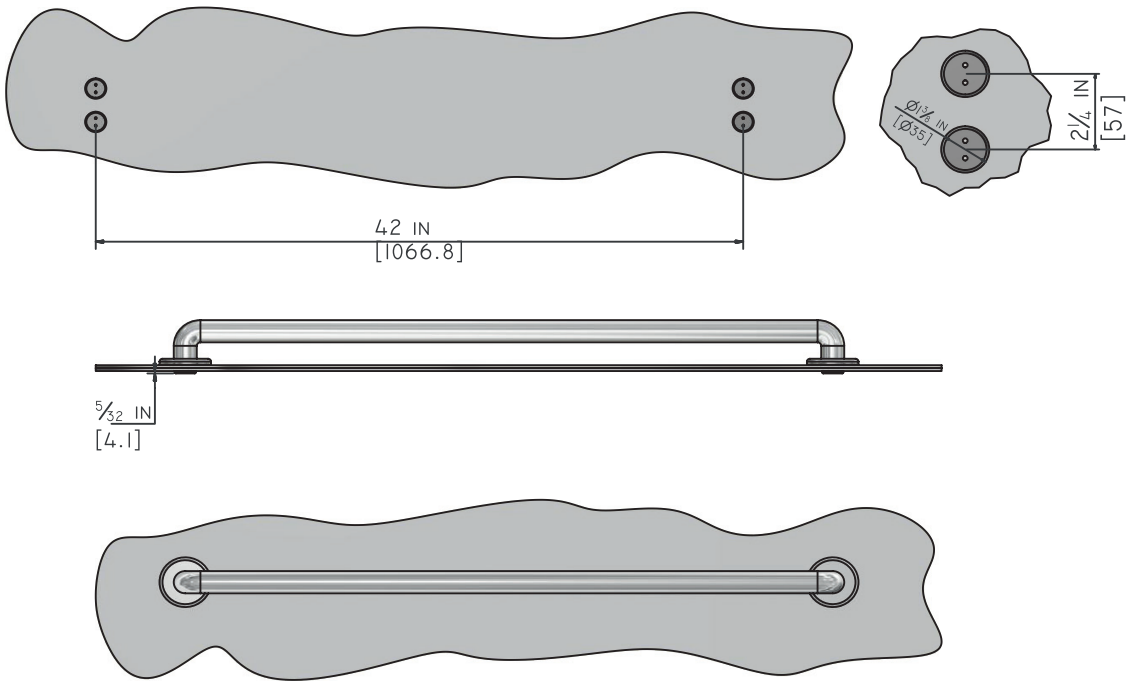
NOTES

Check all drawings

GRAB-BAR SOLUTION



THEO PPOSITES IDEO FT HE DIVISION



COLOUR GLASS 21

EXAMPLE 2

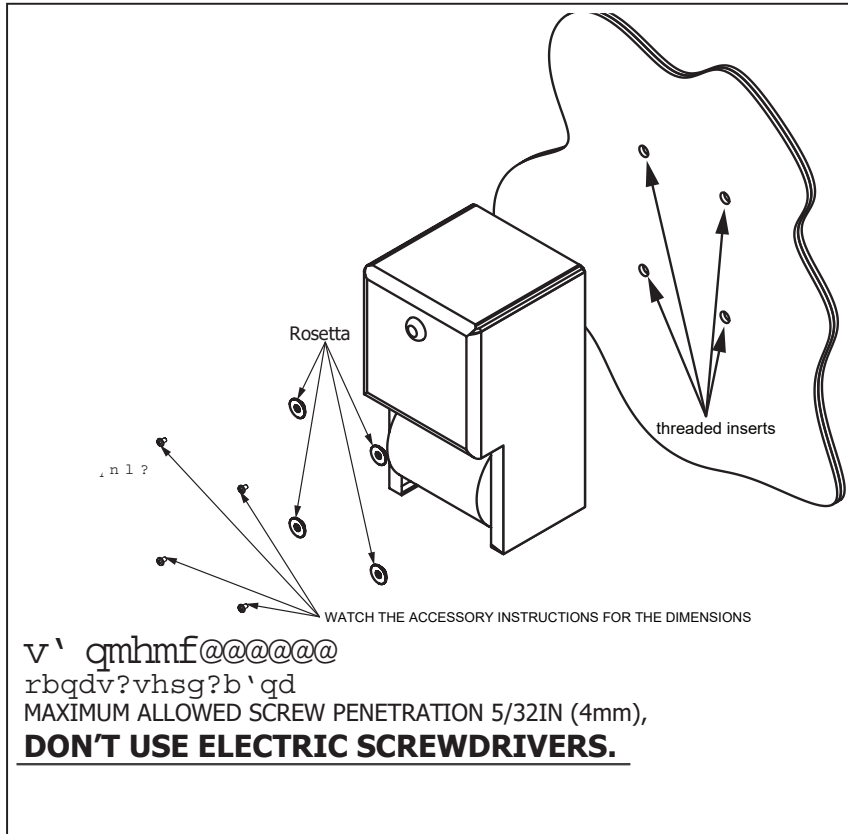
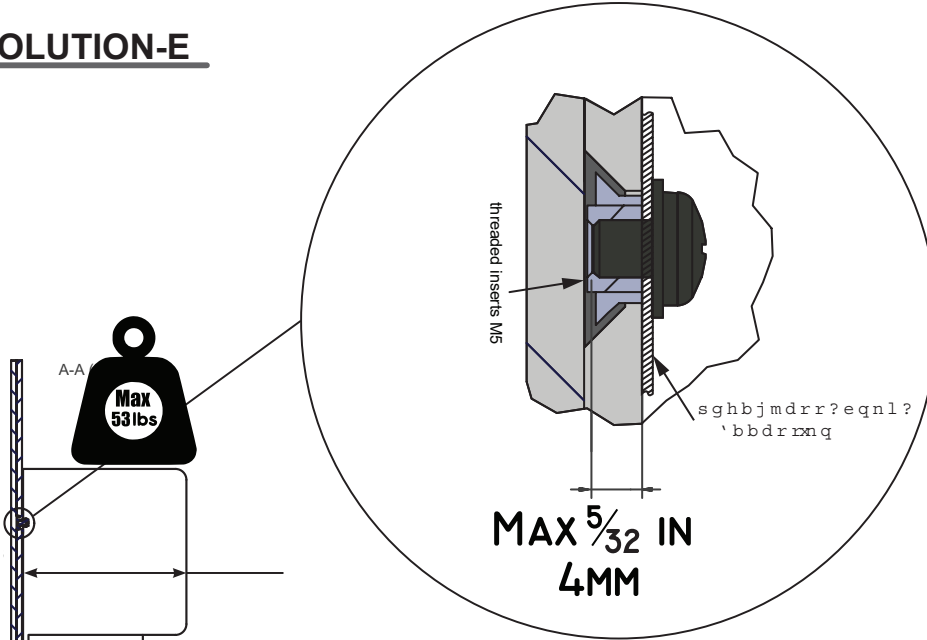
+ ASSEMBLE PRE-APPROVED 3RD PARTY ACCESSORY.

PRE-APPROVED 3RD PARTY ACCESSORIES

NOTES

Check all drawings

SOLUTION-E



EXAMPLE 3

+ ASSEMBLE PRE-APPROVED 3RD PARTY ACCESSORY.

COLOUR GLASS 2 0