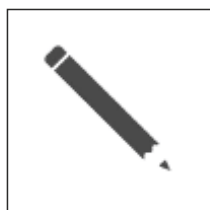


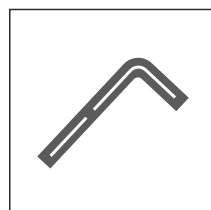
# Simple Assembling instructions

CARVART®  
BY LUCONI  
ITALIAN DESIGN

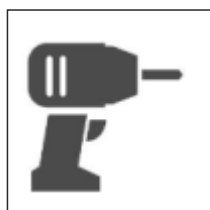
## TOOLS NEEDED TO INSTALL



PEN



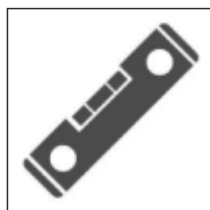
ALLEN KEY 7/64" - 1/8" - 5/32 - 1/4"



DRILL



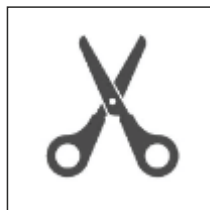
SAW (warehouse style option)



LEVEL



SCREWDRIVER



SCISSOR / CUTTER



LUCONI WRENCH (adjust lever foot)

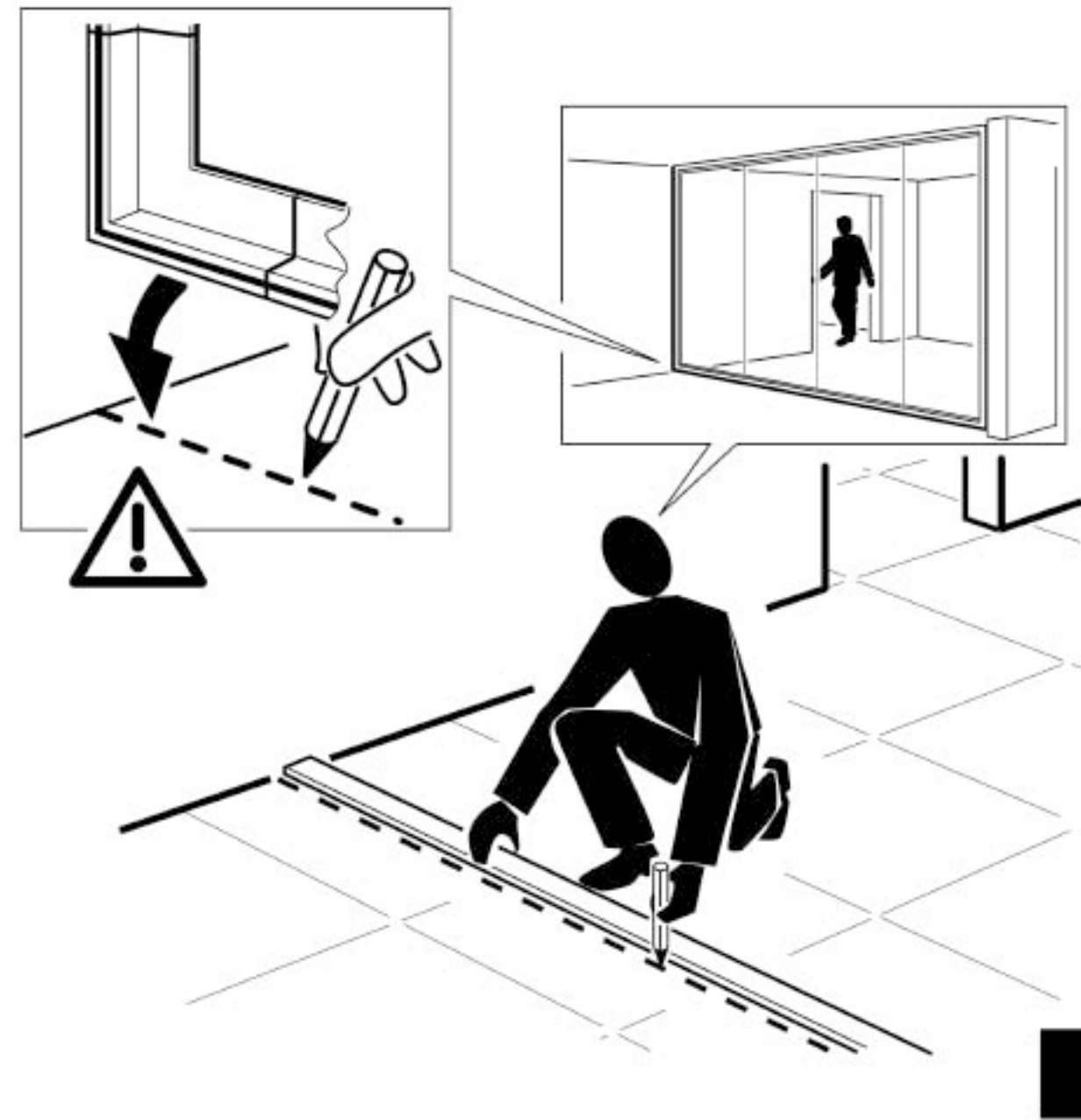
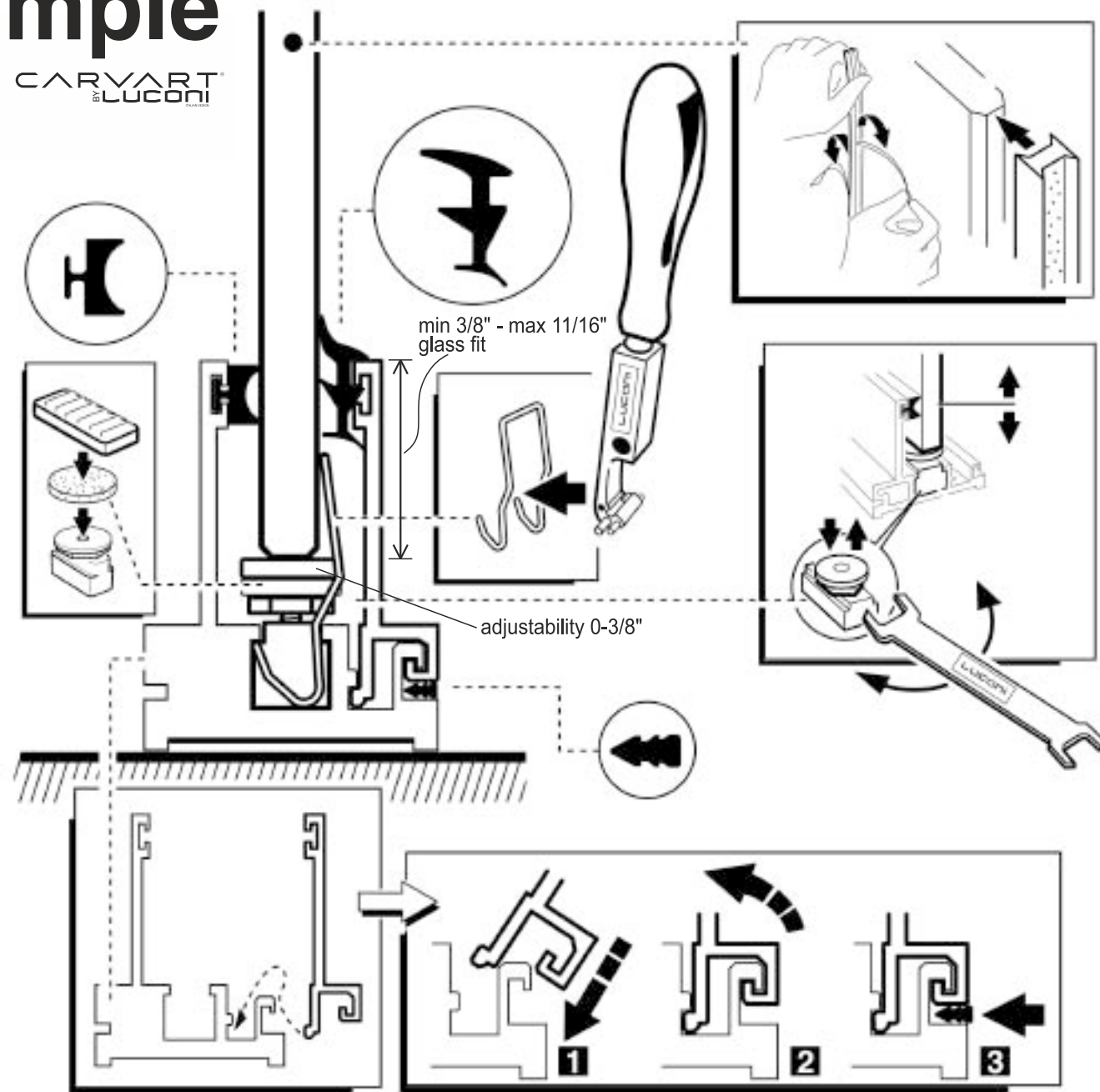


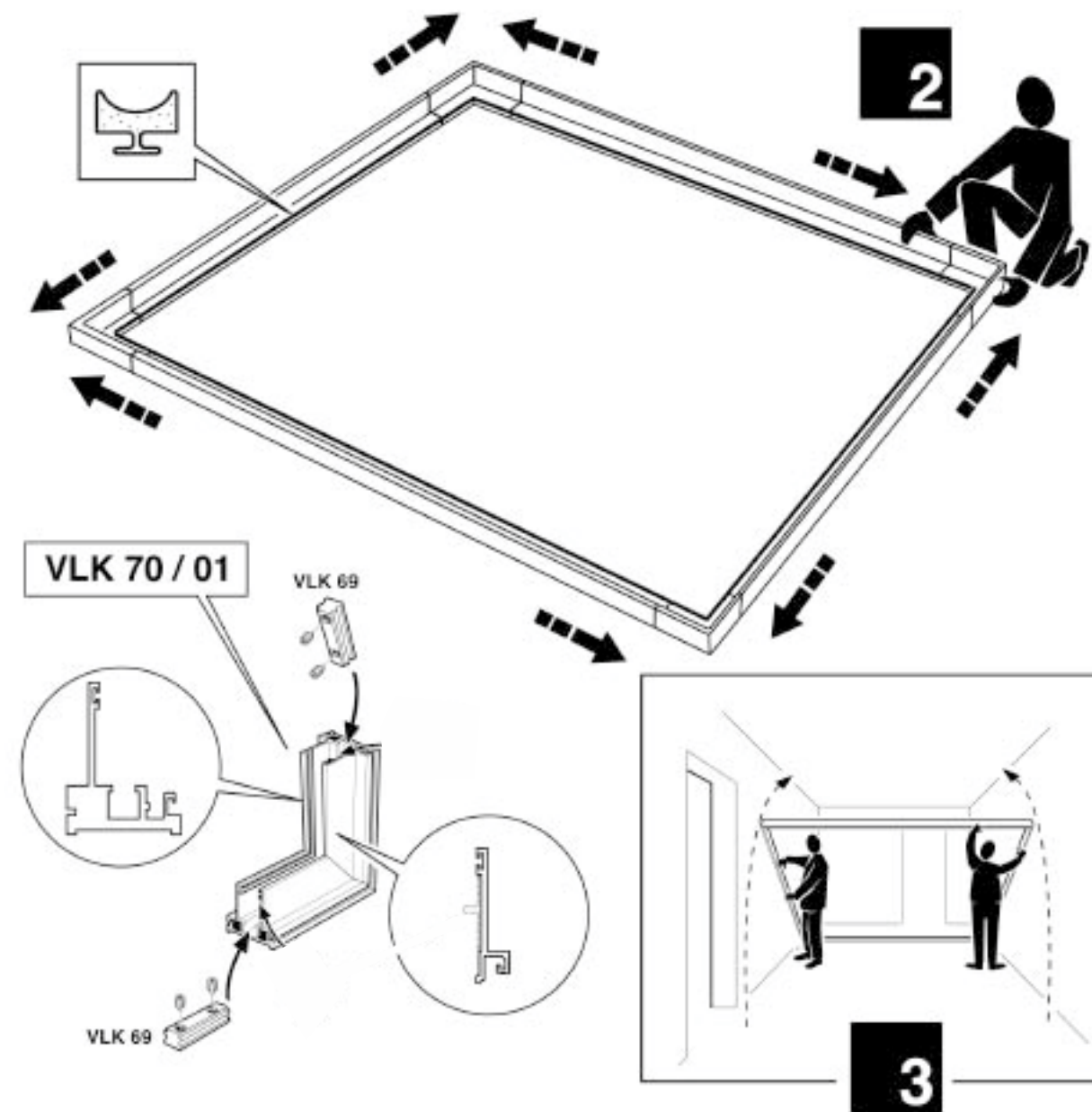
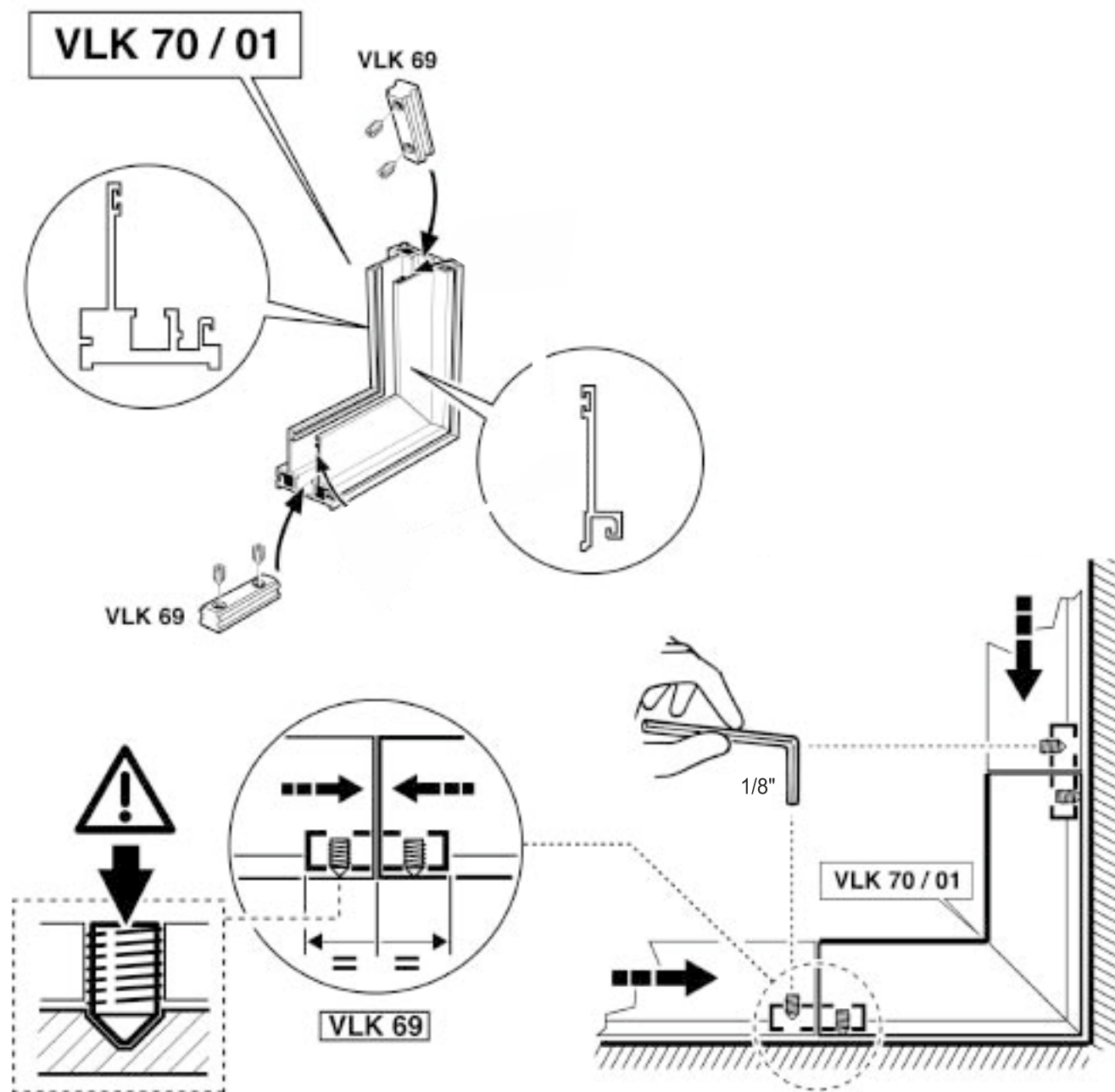
LUCONI TOOL (open blocking spring)

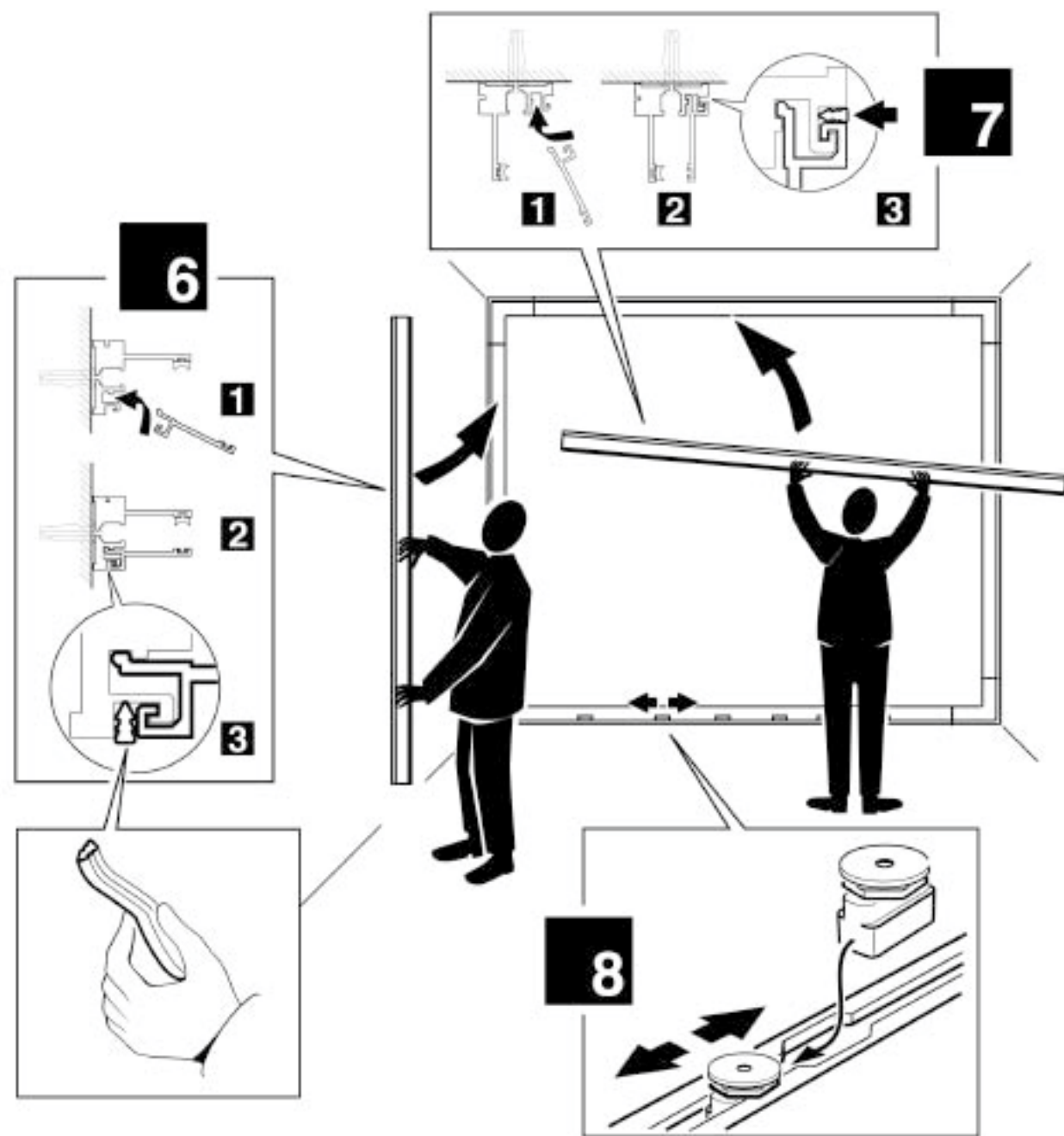
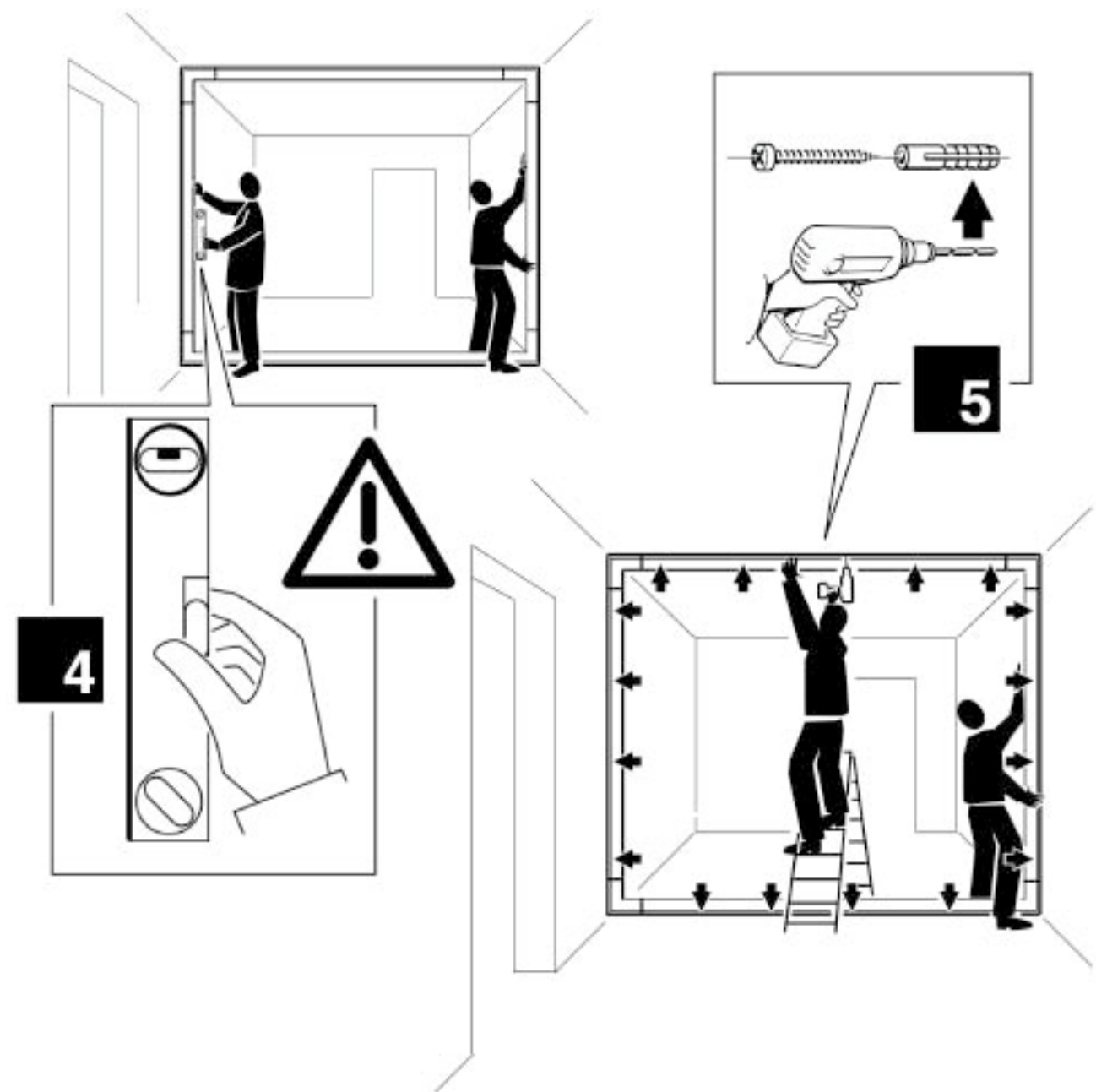
*Anchors and silicone by installer. Set screws and internal fasteners by Carvart.*

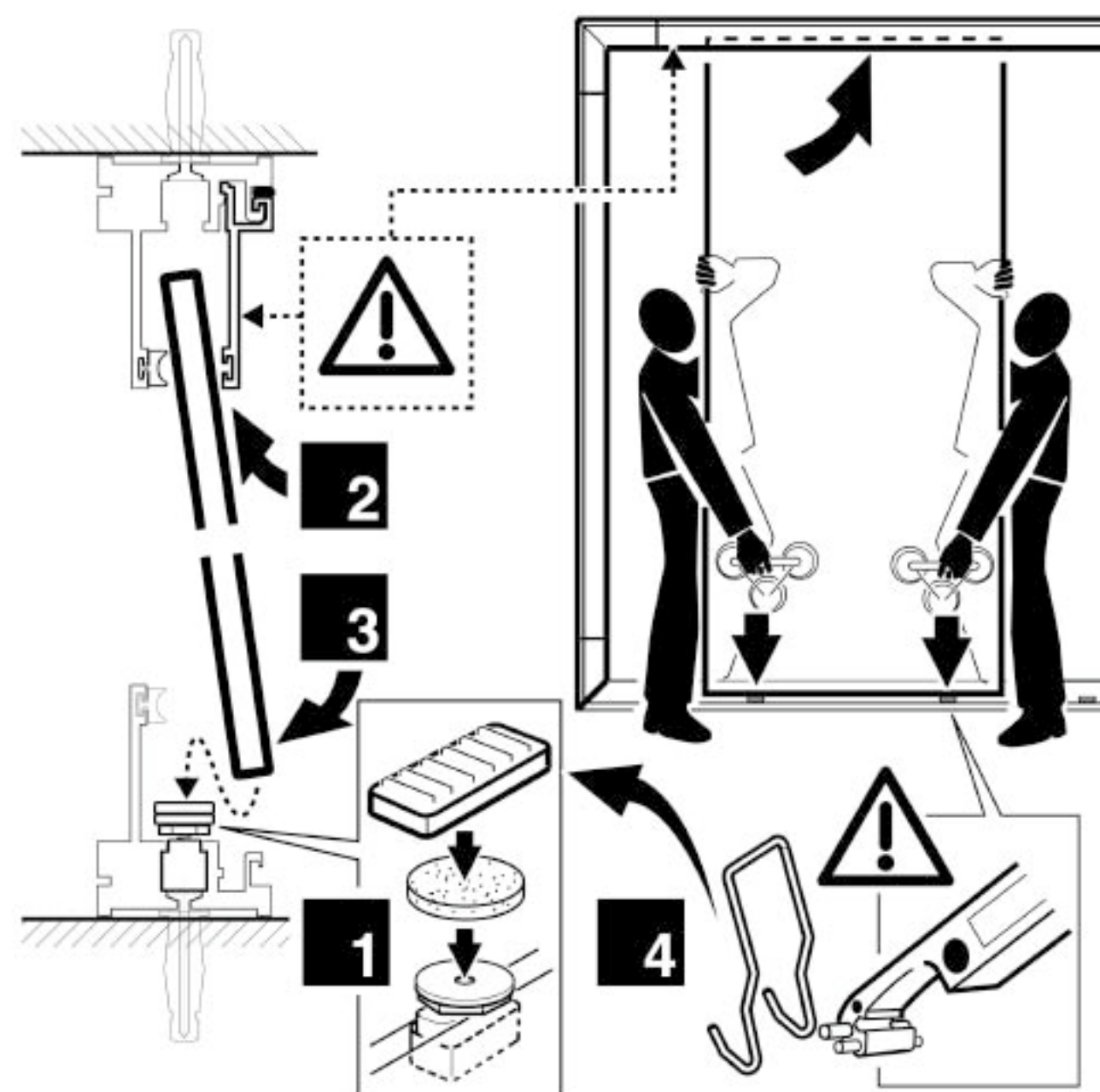
# Simple

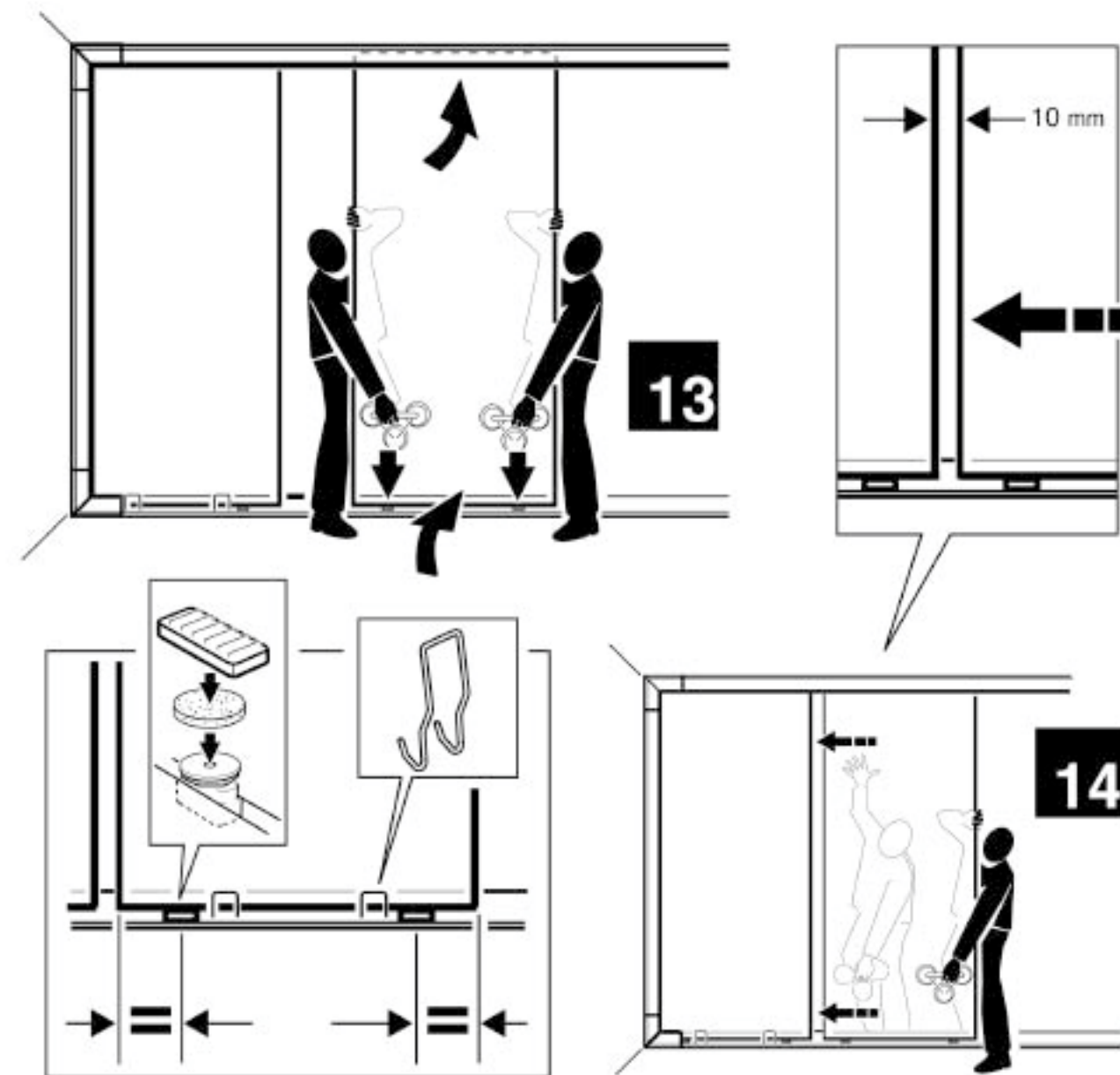
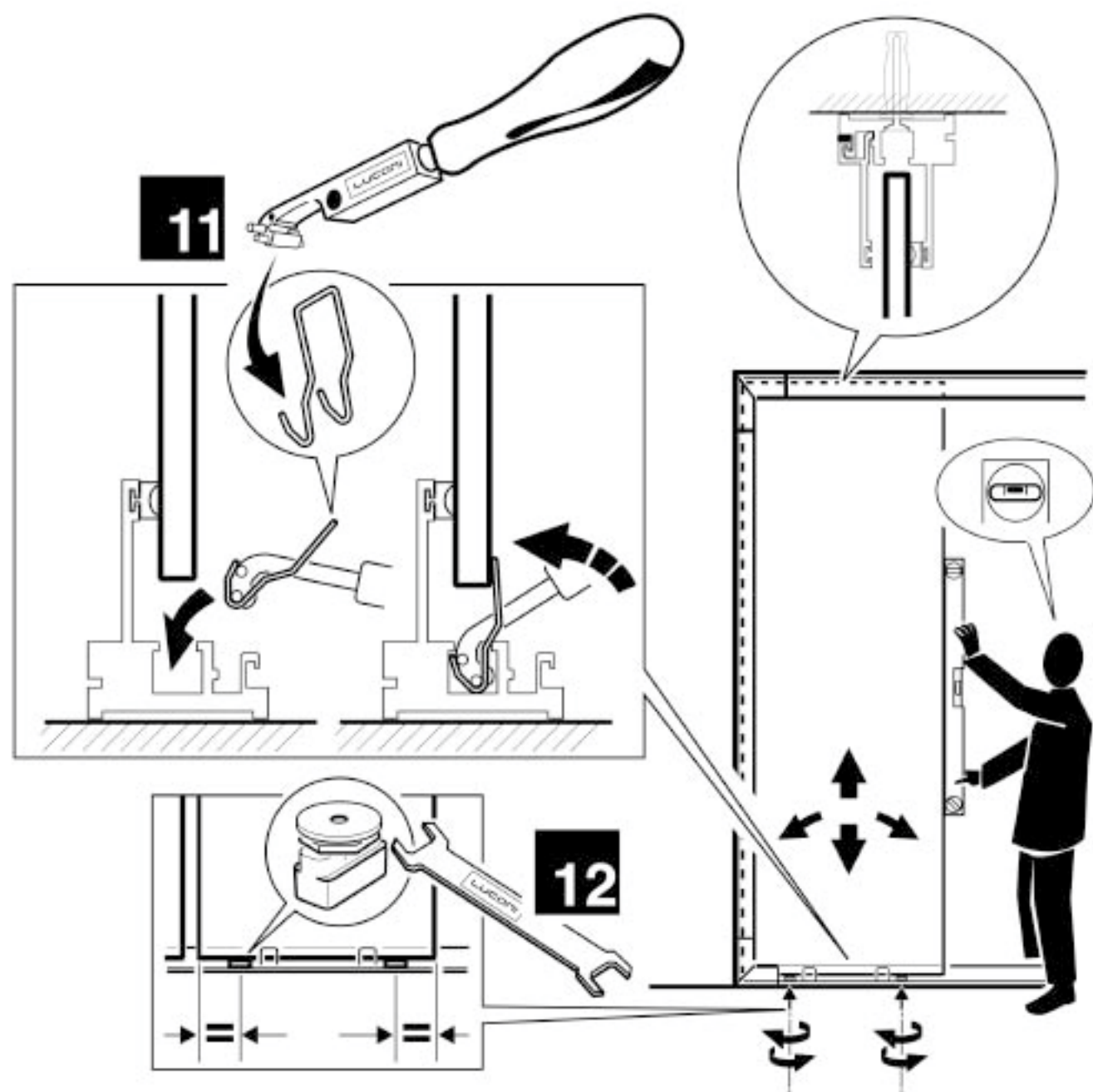
CARVART<sup>®</sup>  
LUCONI

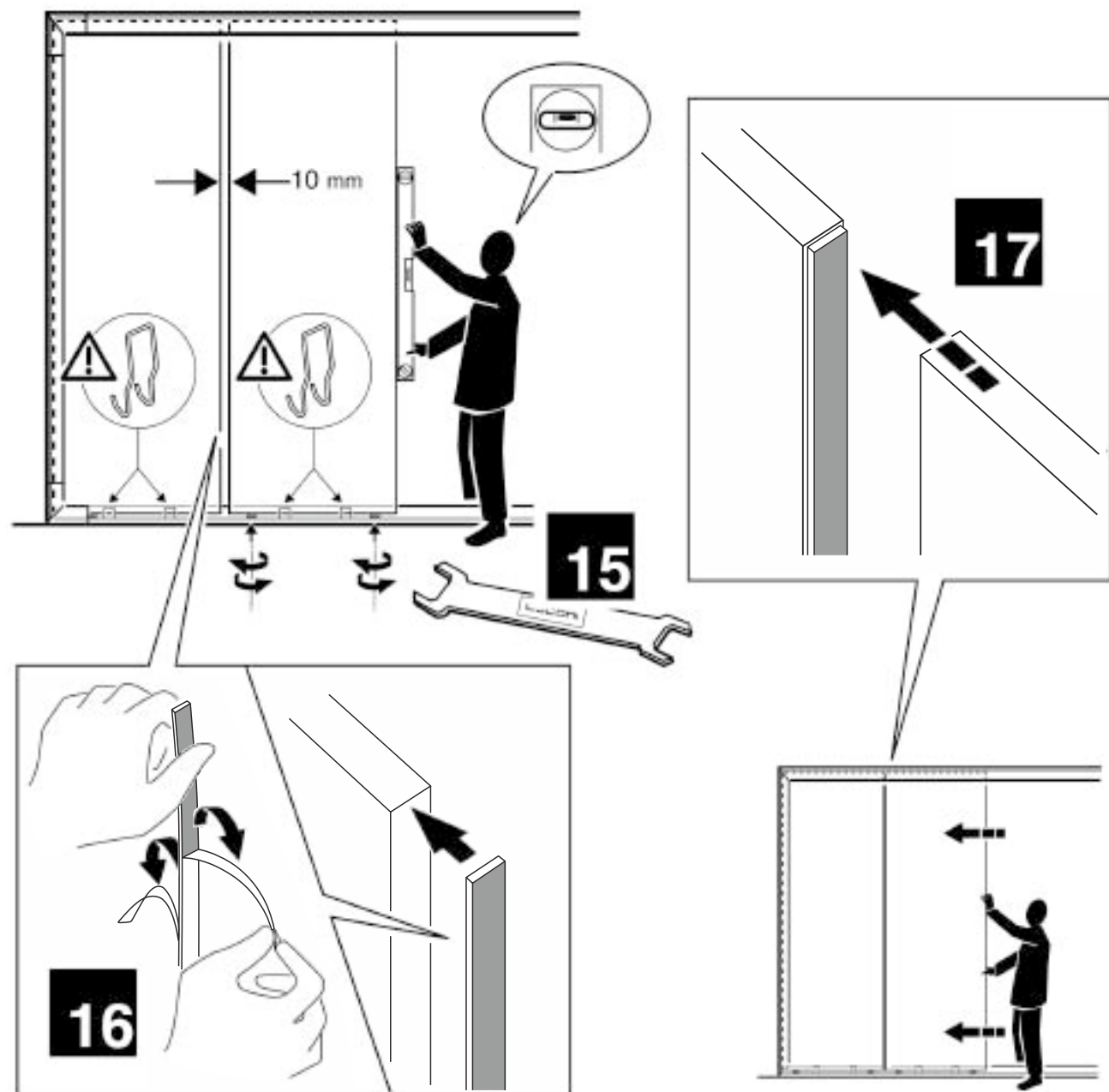




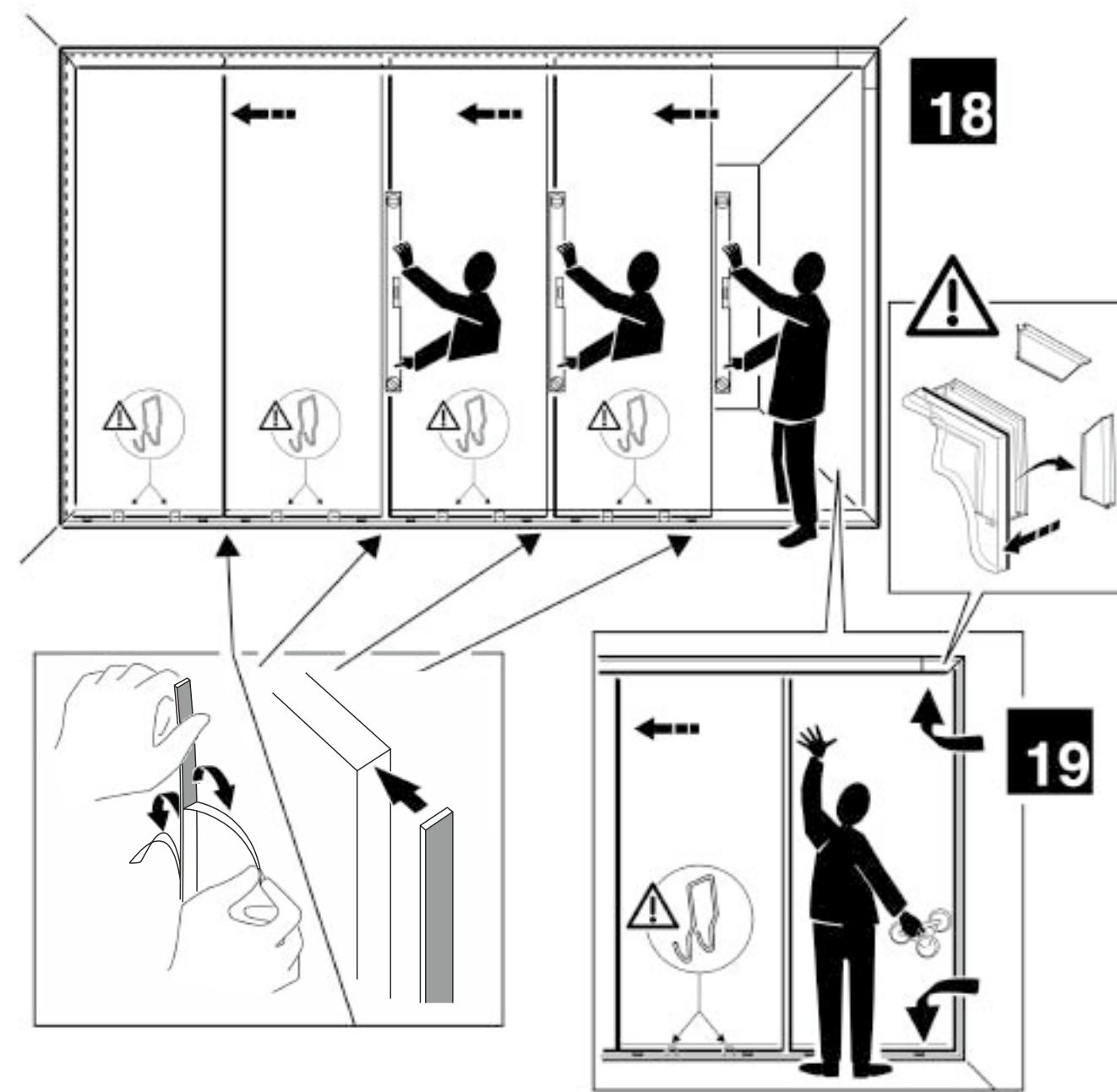




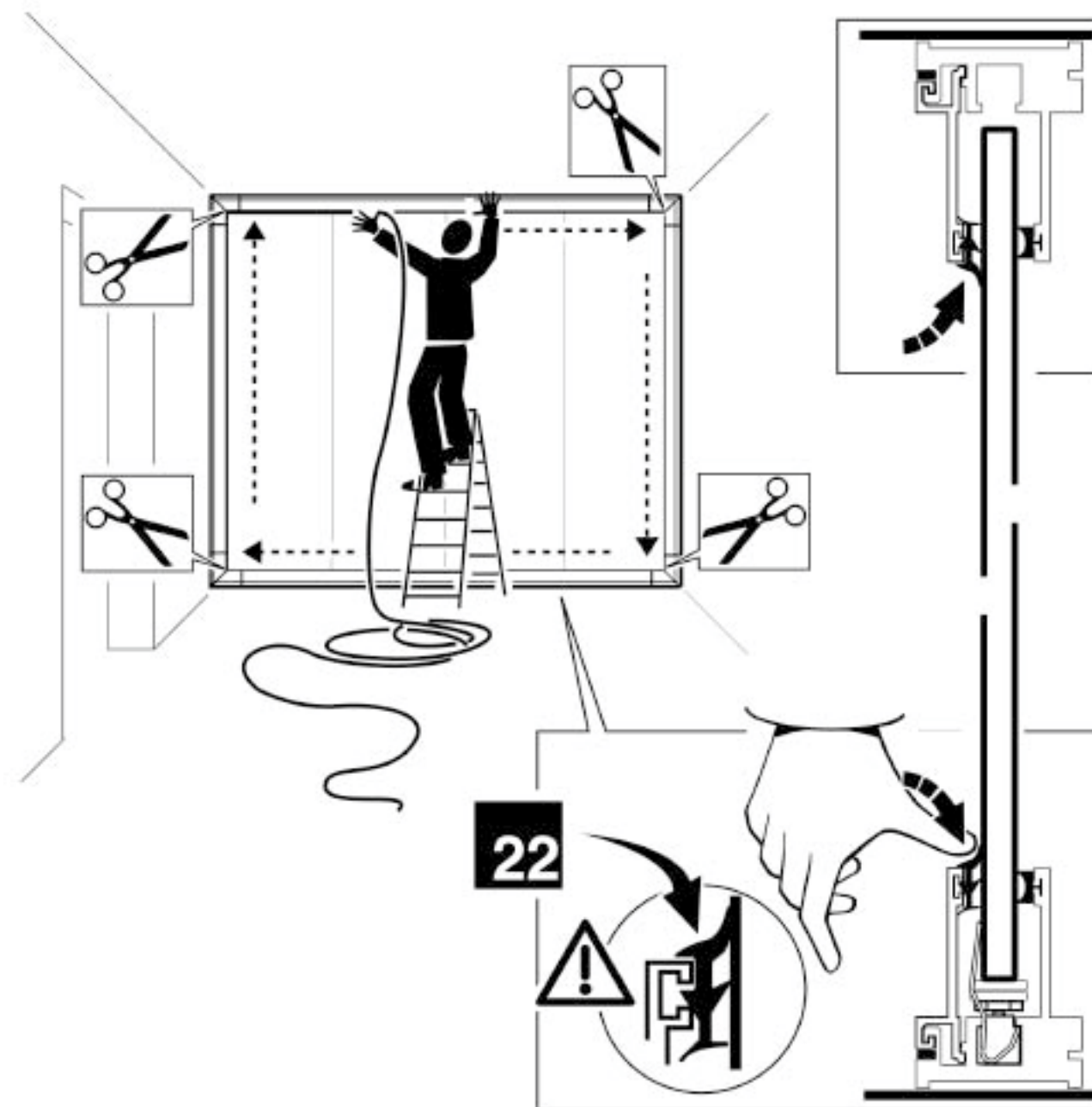
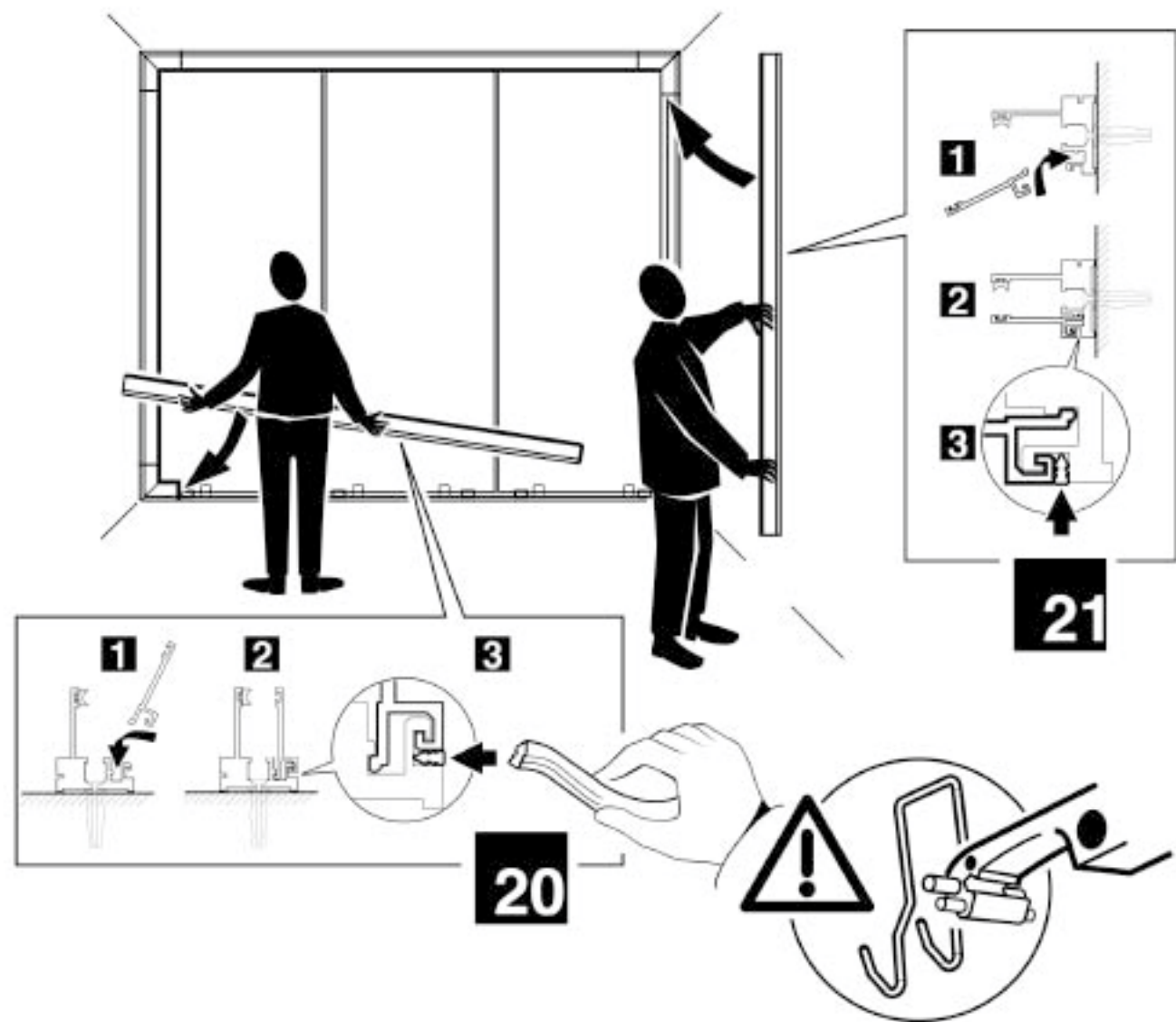


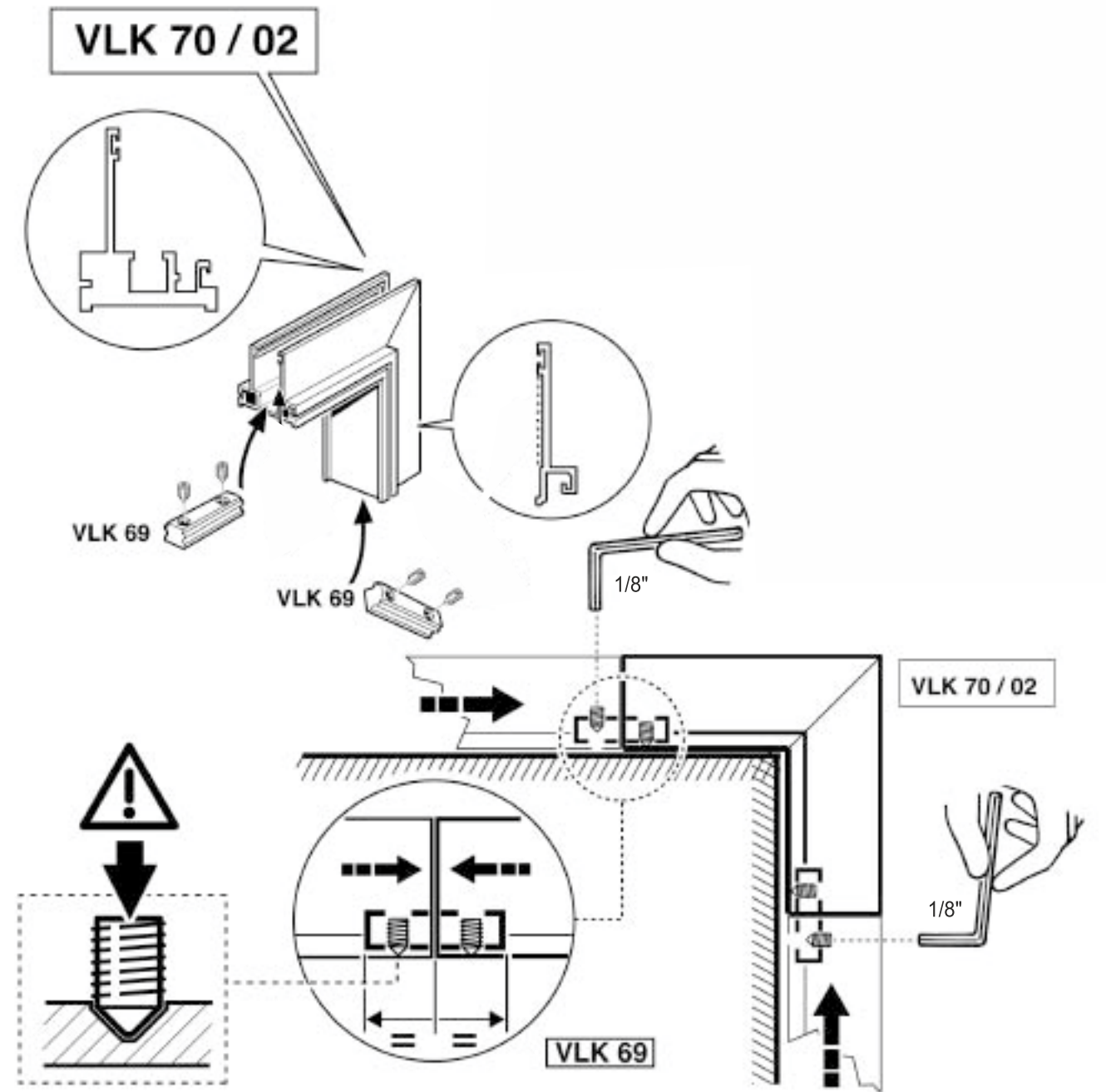
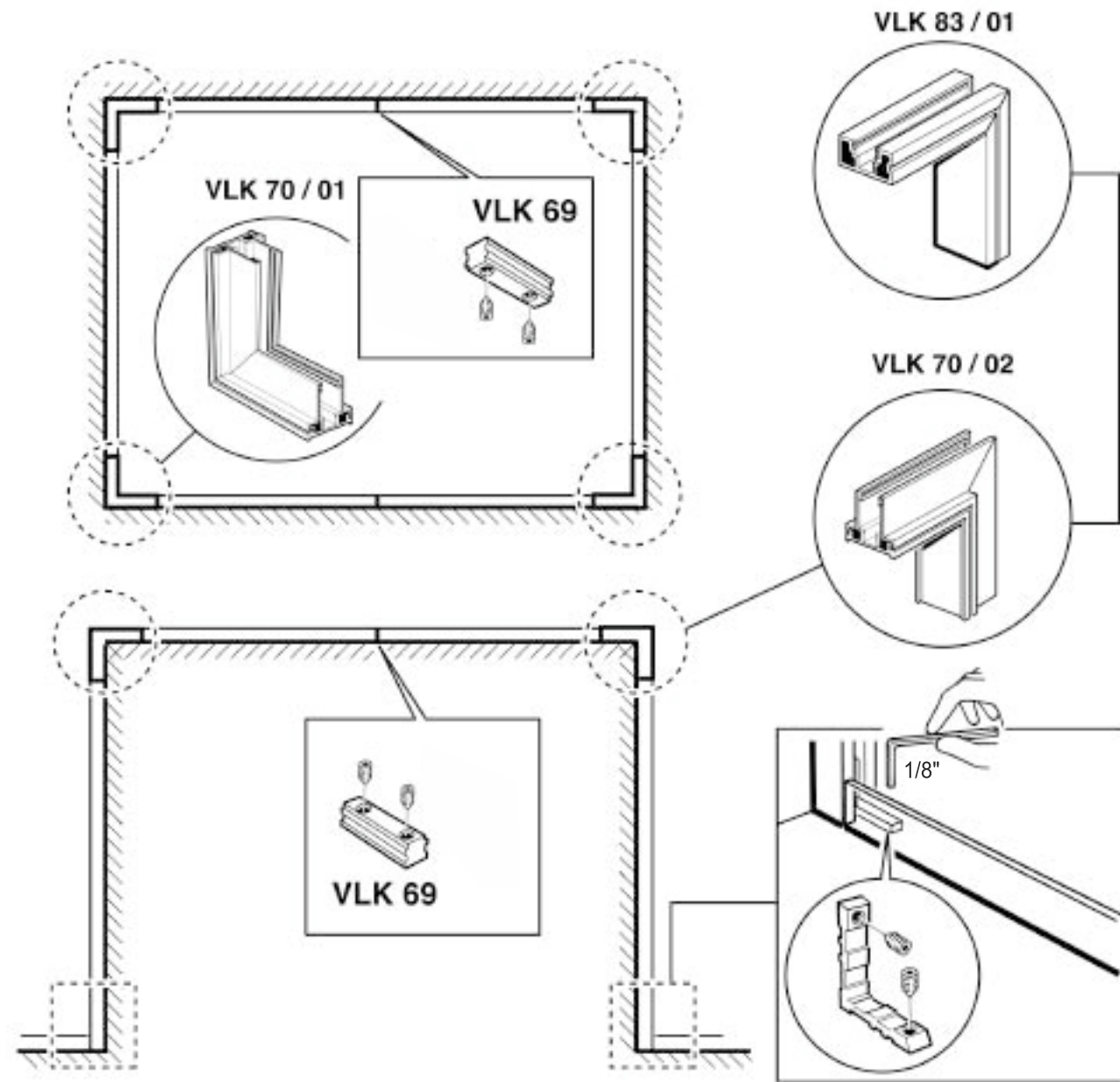


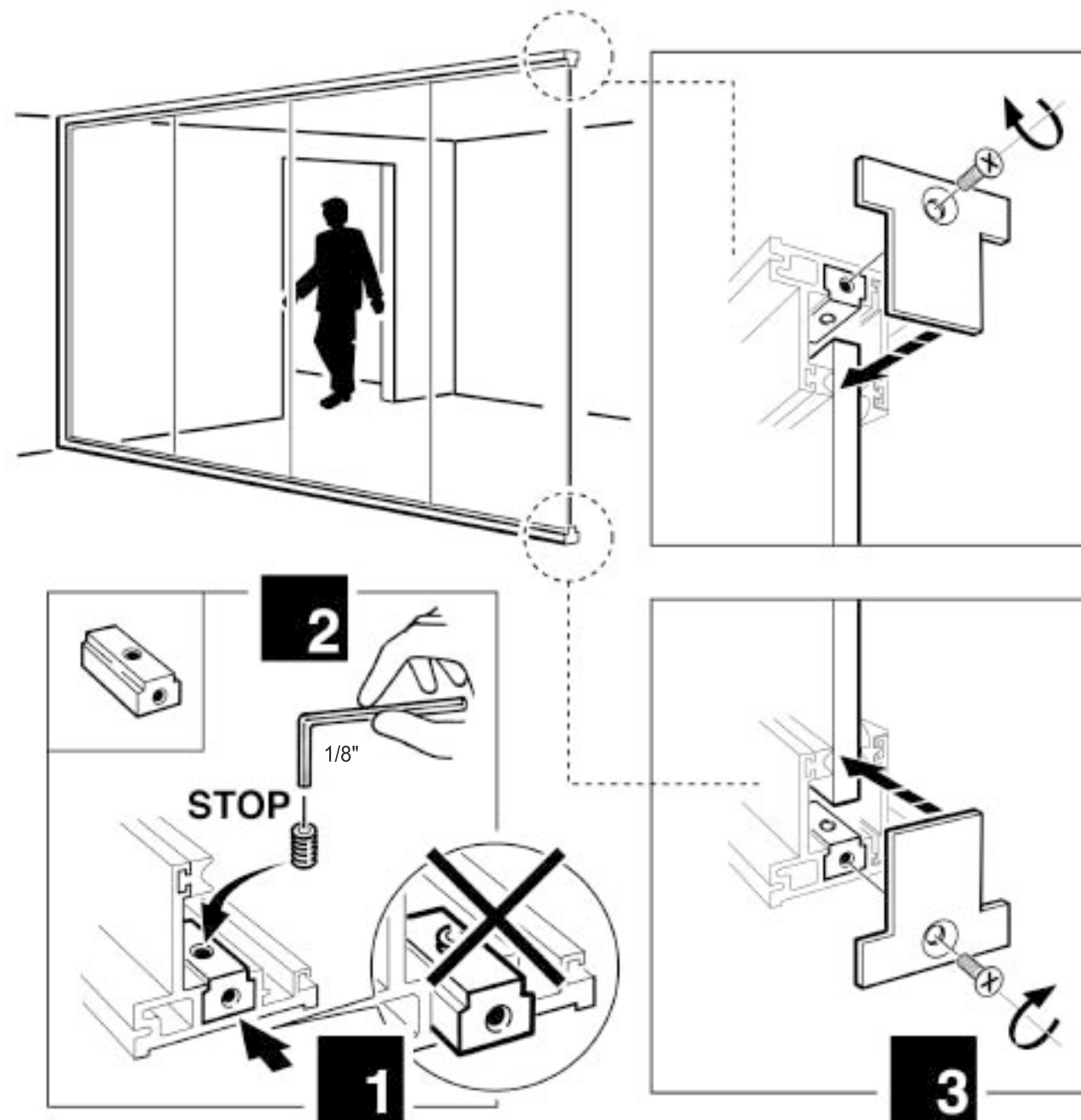
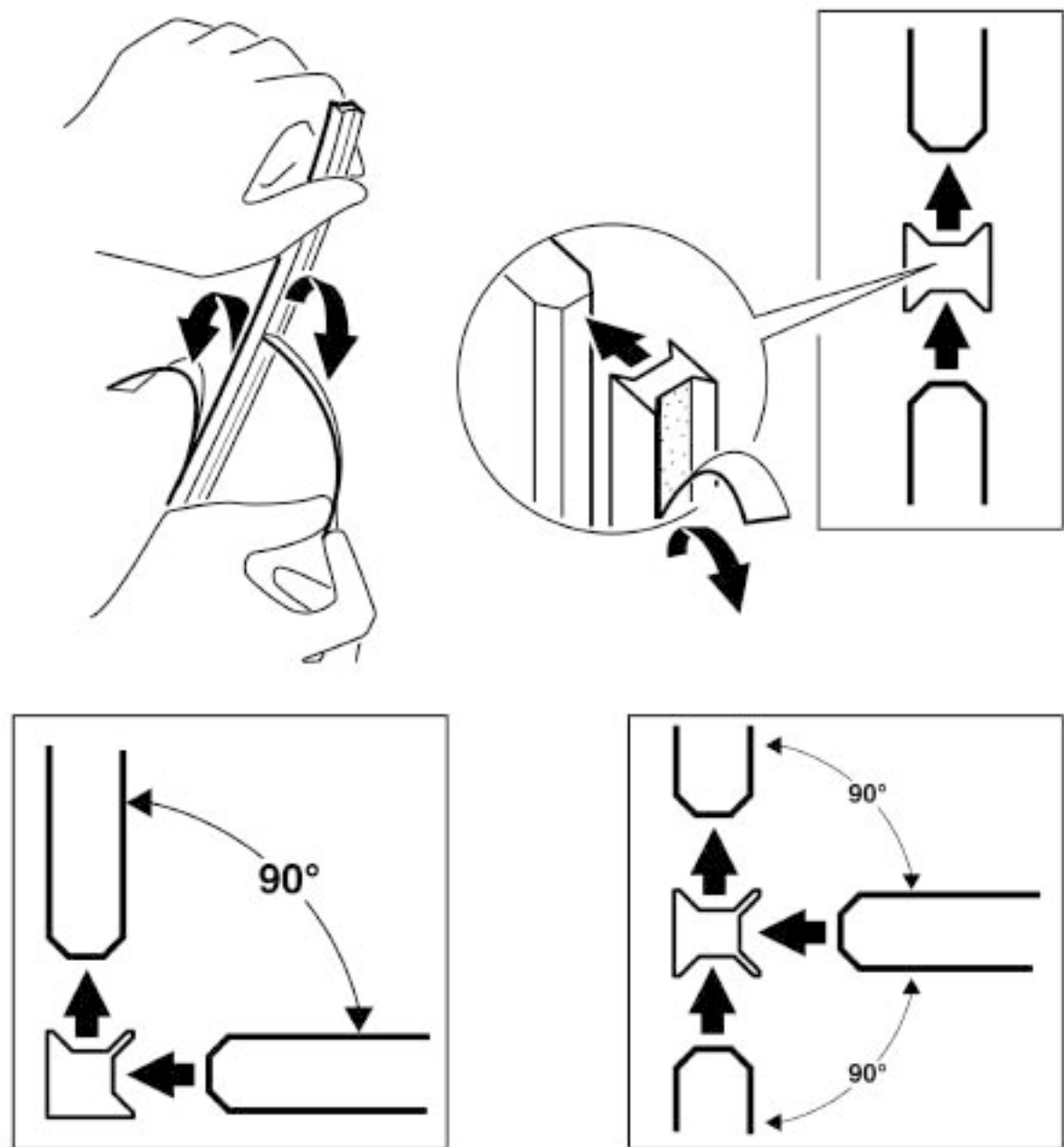
**!** USE DOUBLE SIDED TAPE OR POLYCARBONATE VERTICAL PROFILES, IN BASE TO THE PROJECT SPECIFICATIONS.

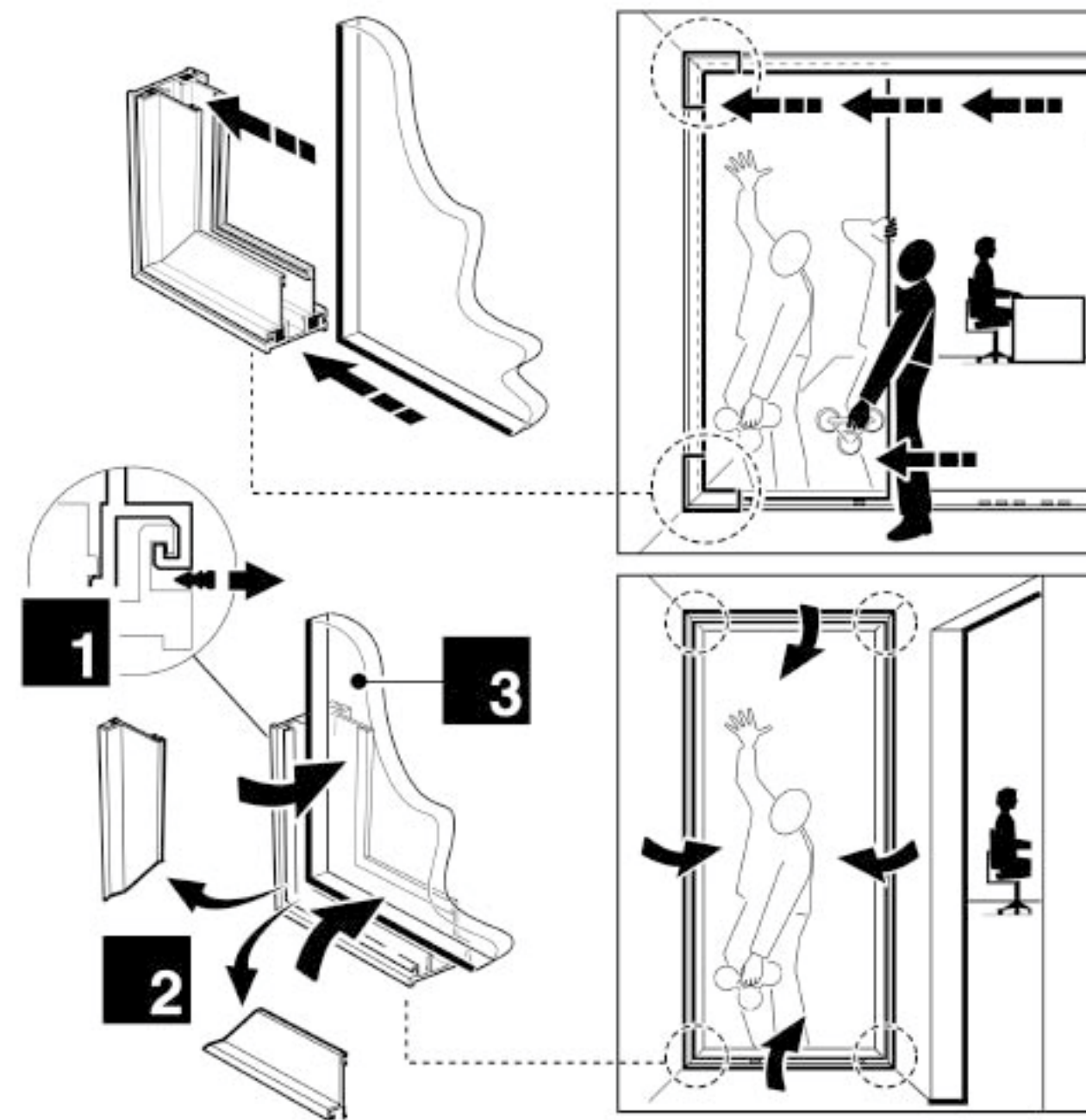
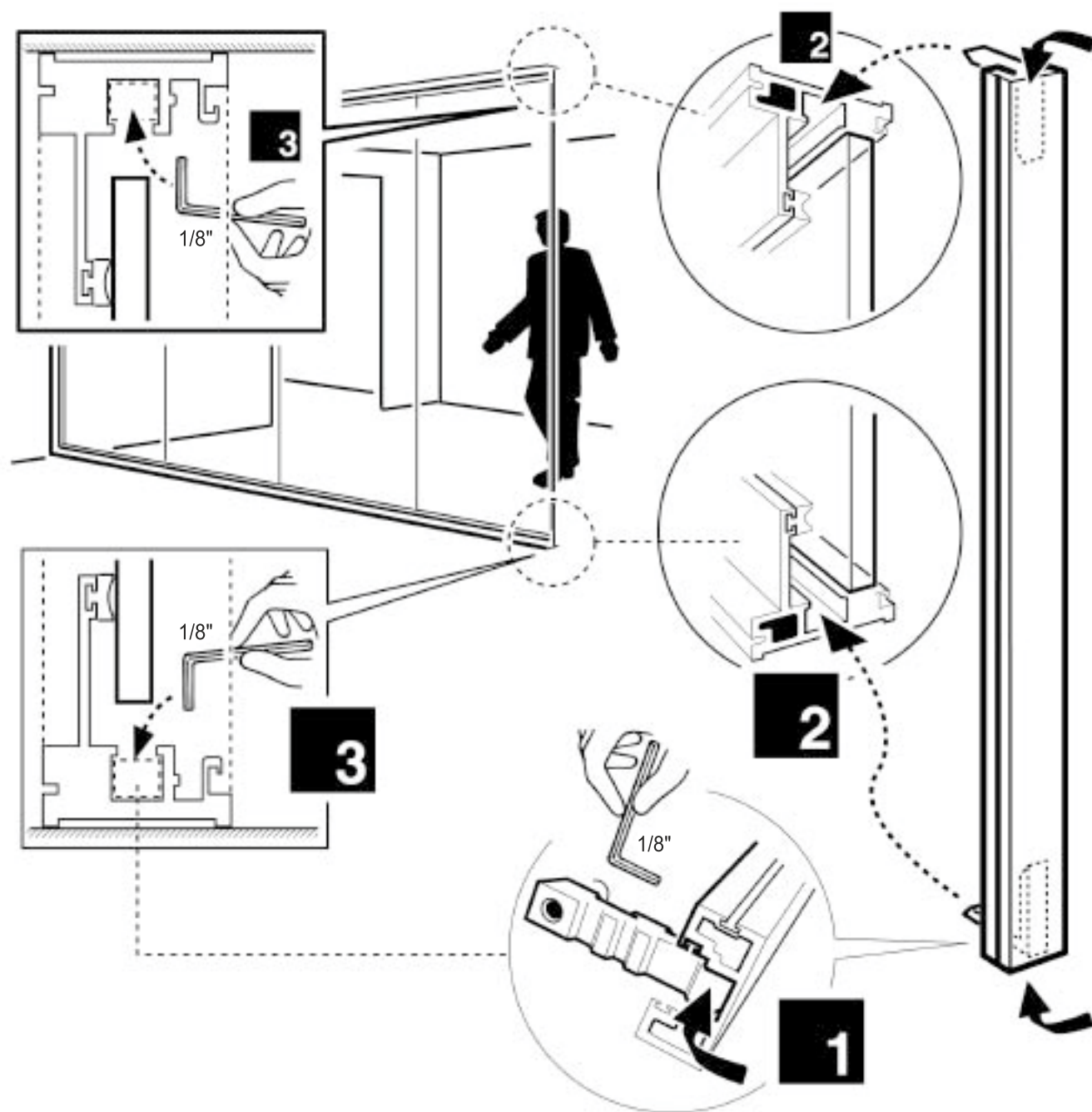


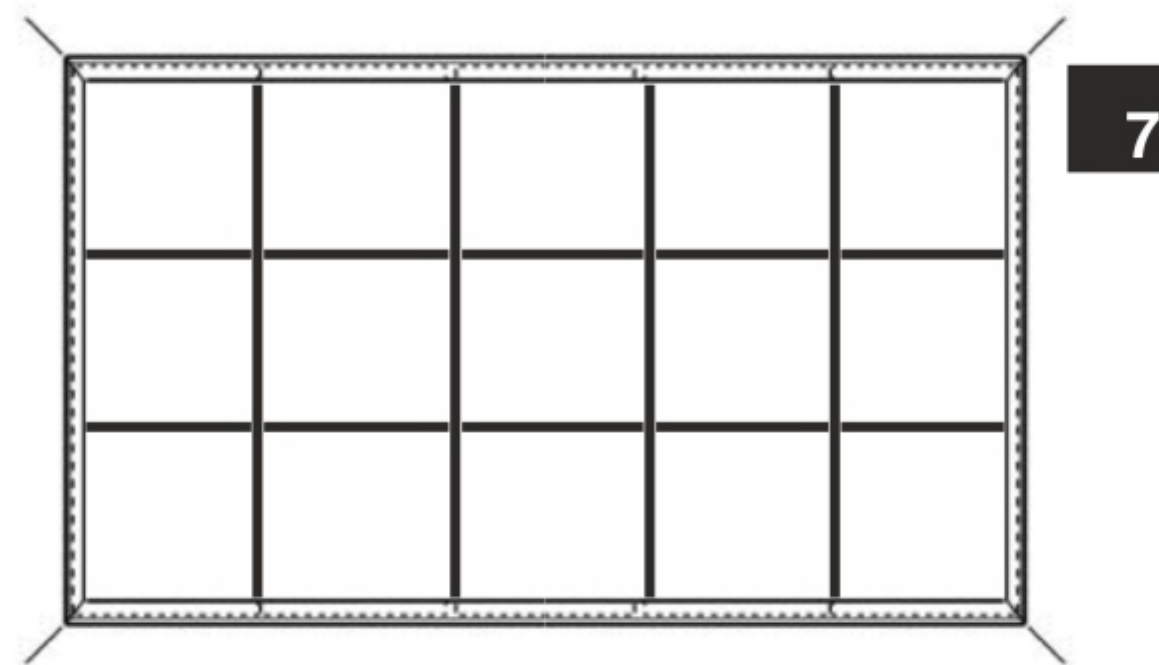
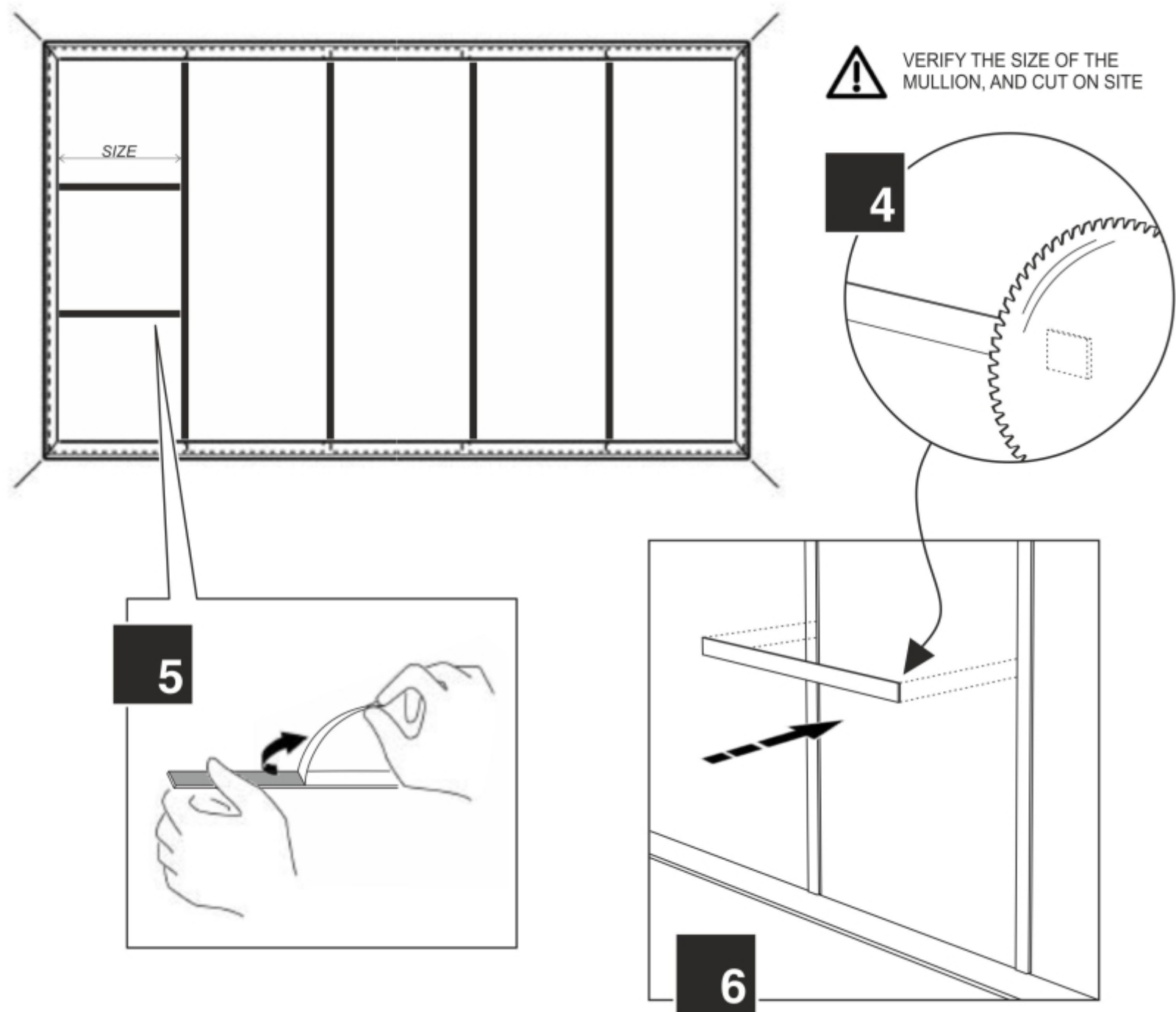




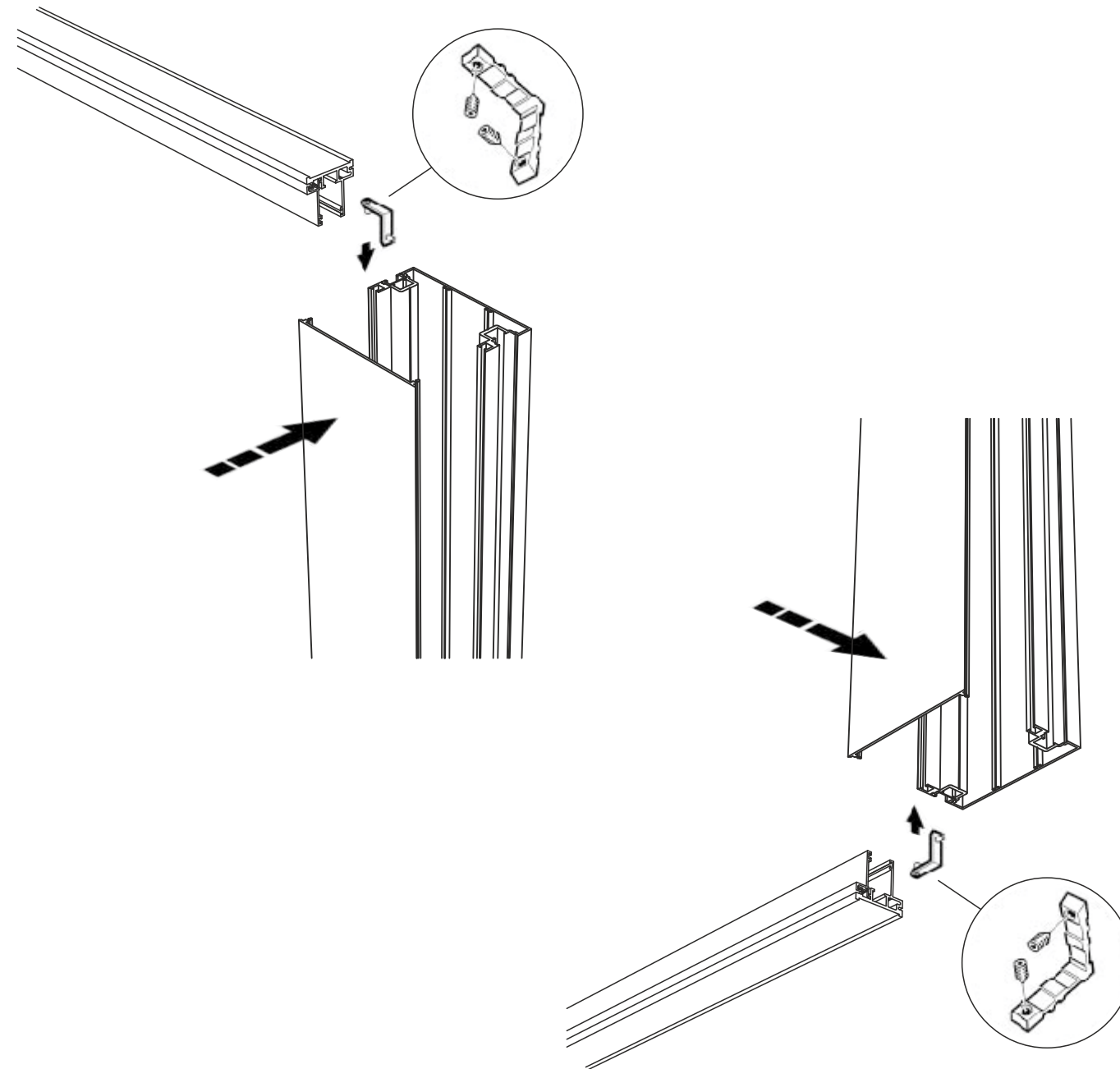
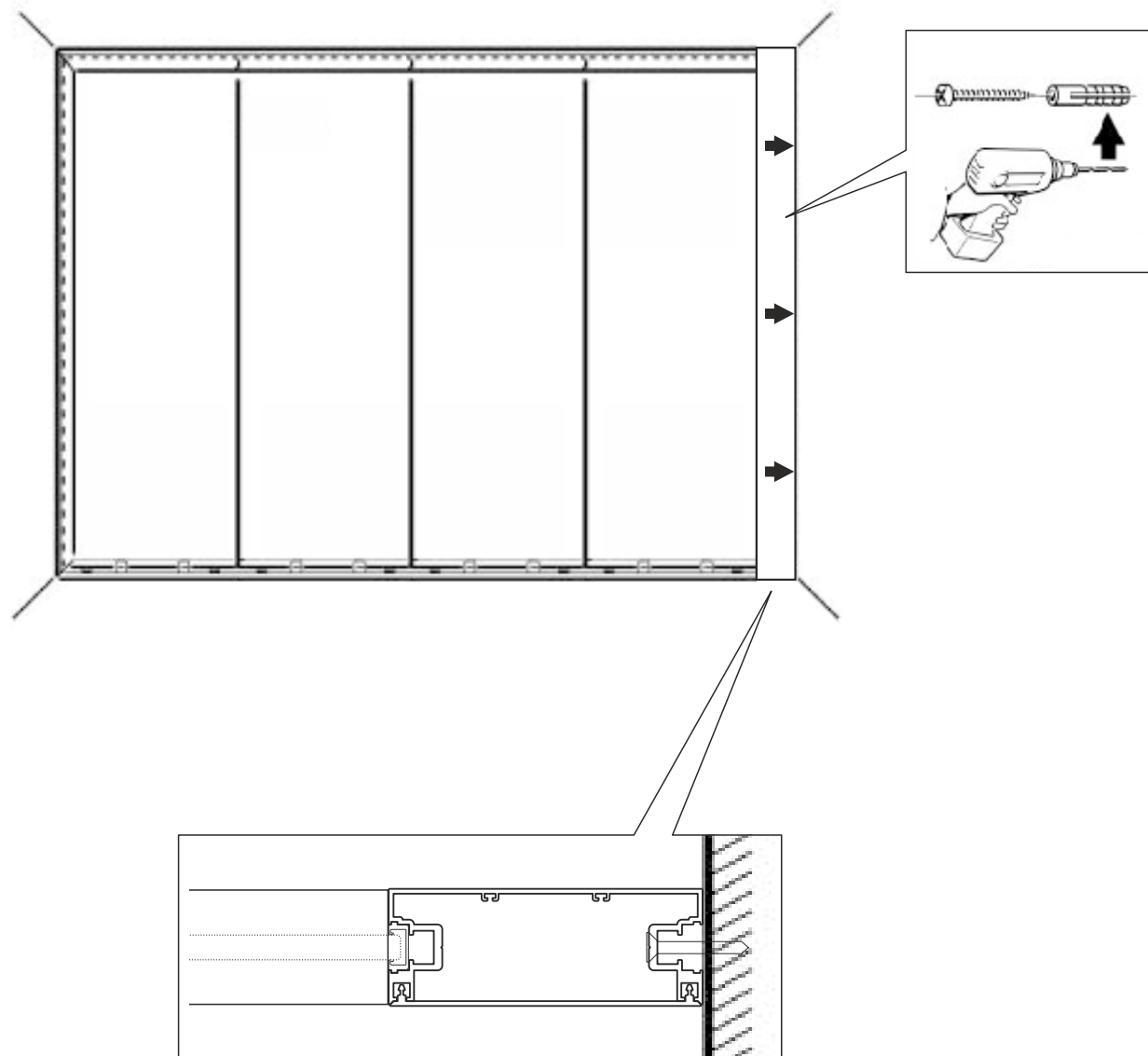




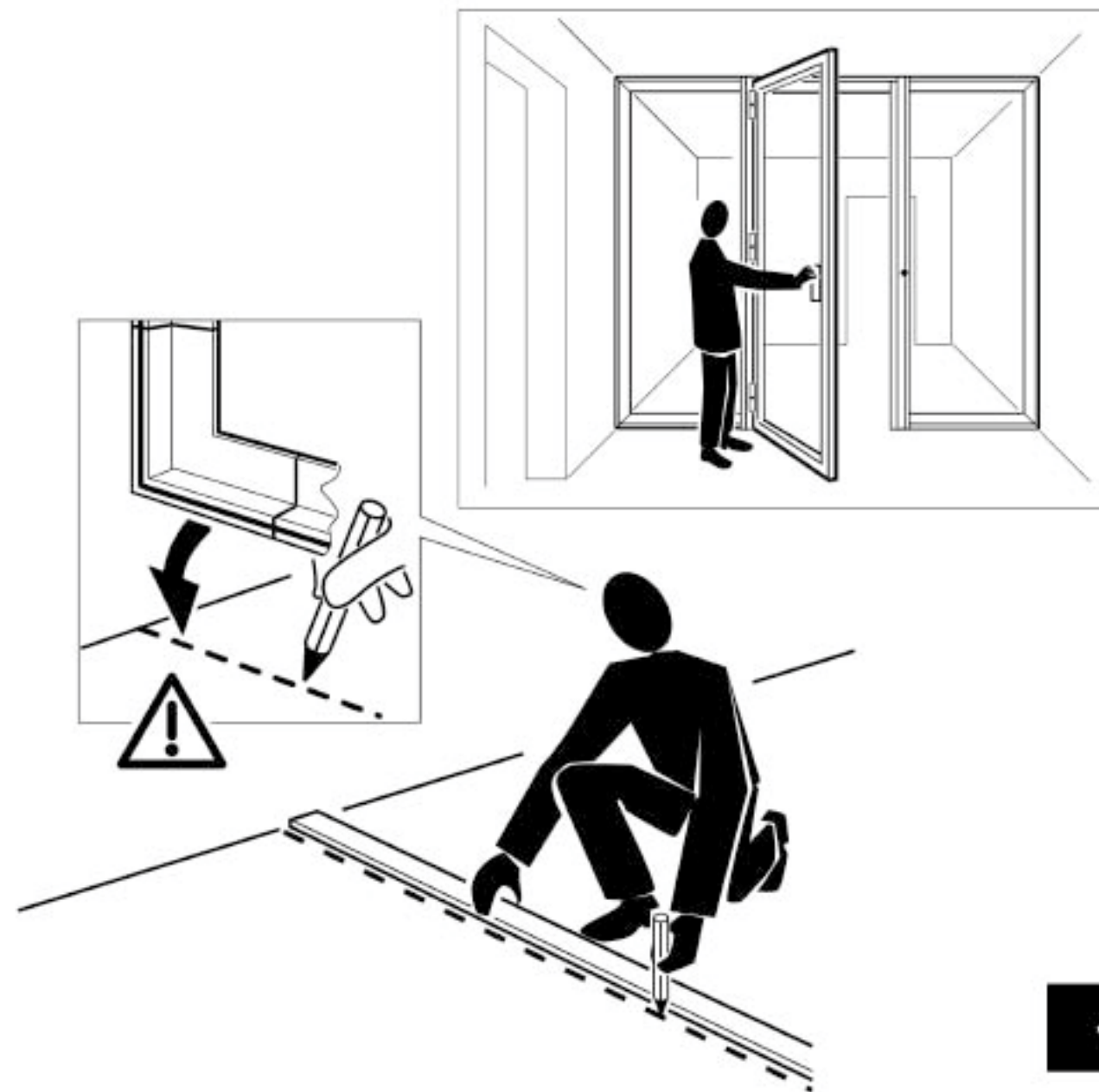




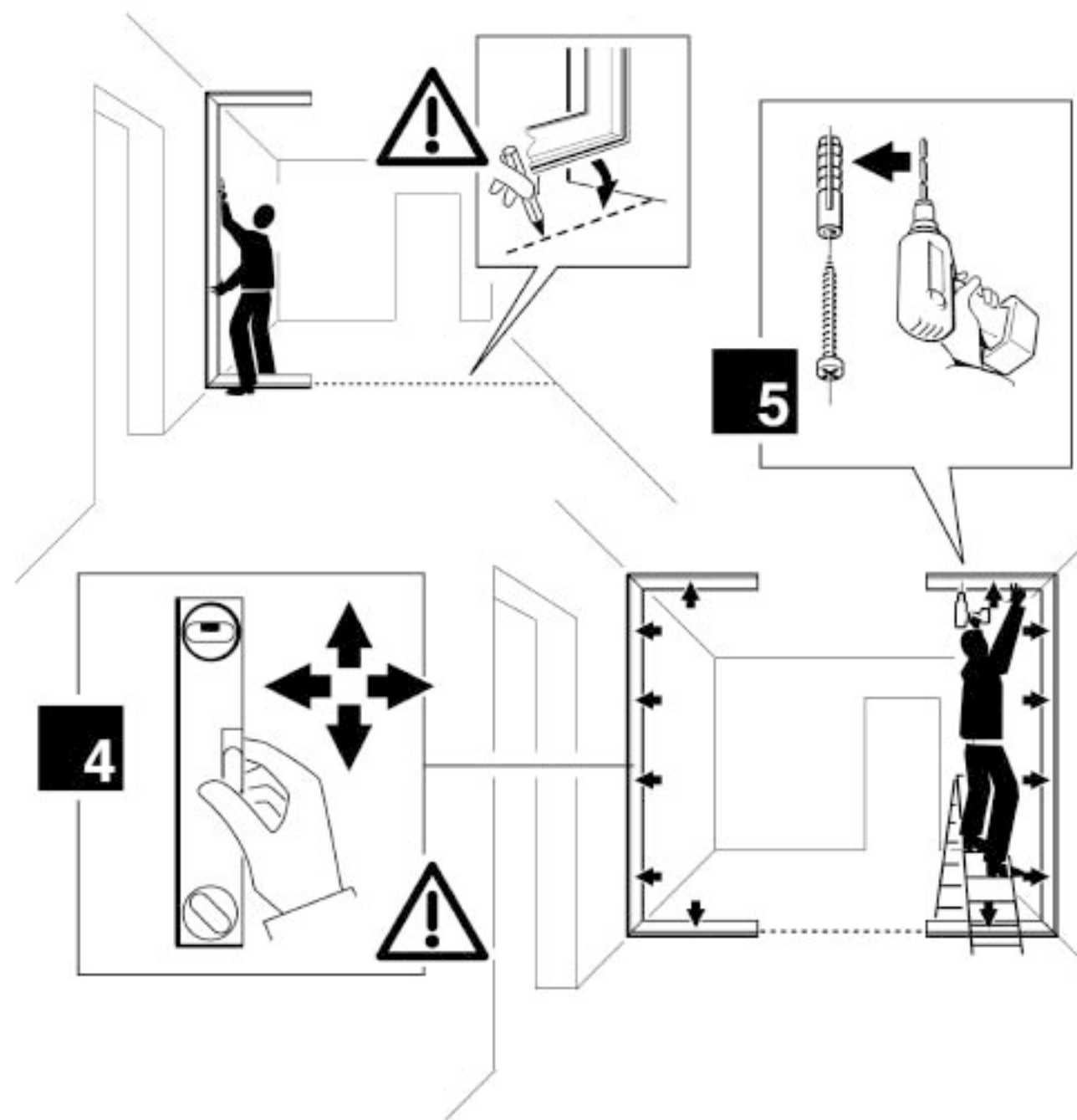
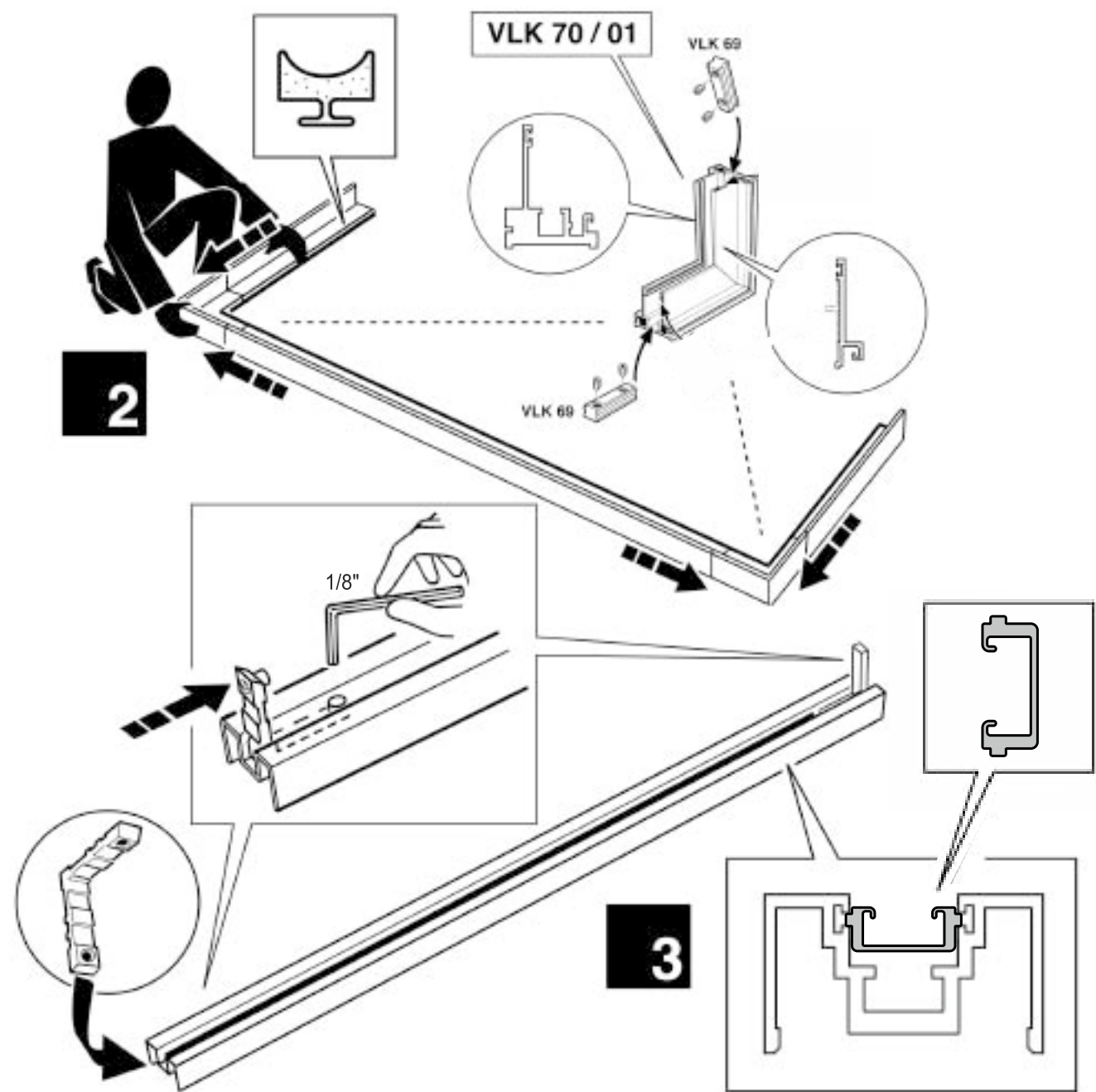
 **MANAGEMENT BOX INSTALLATION (OPTIONAL),**  
IN BASE TO THE PROJECT SPECIFICATIONS.



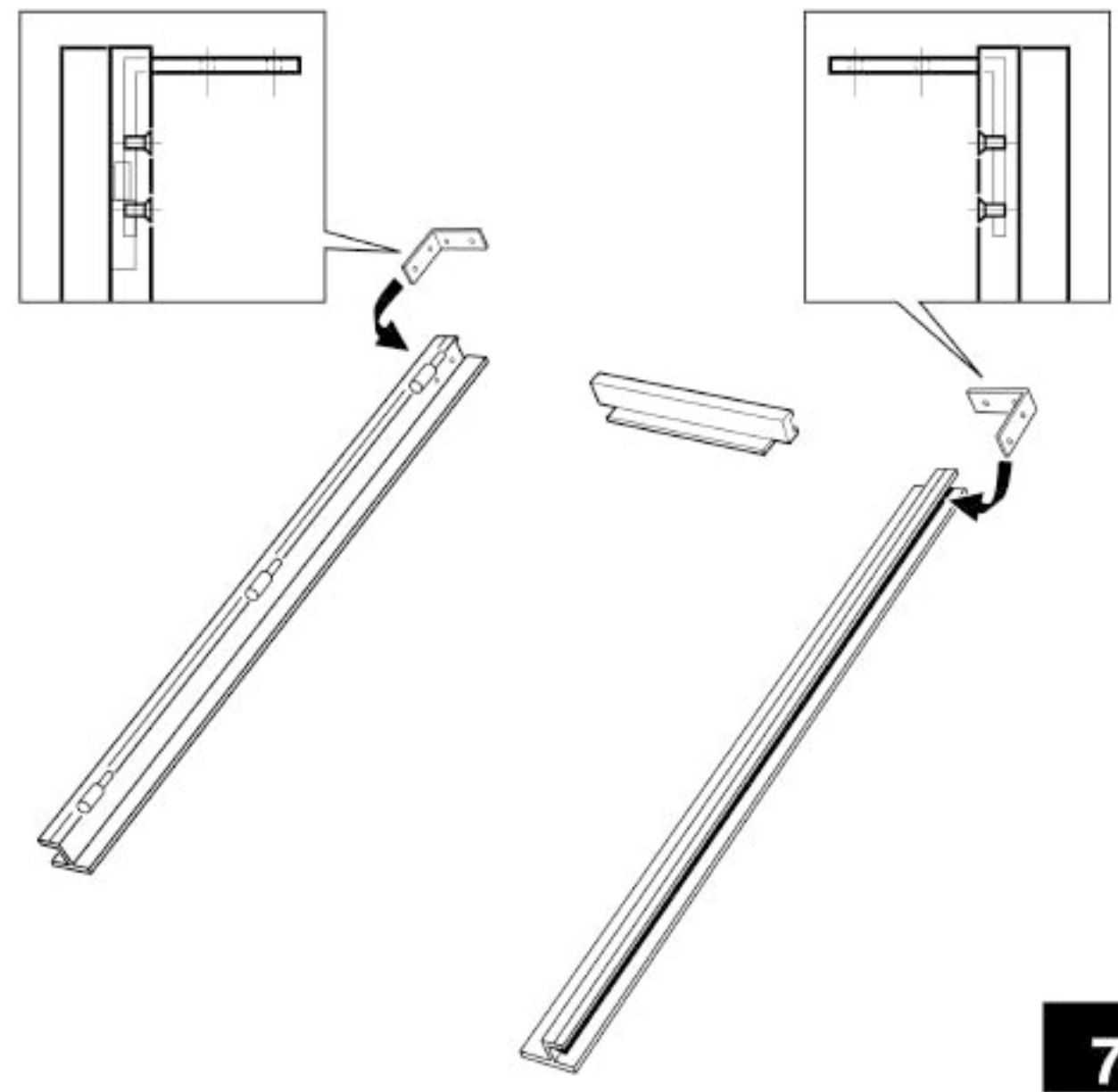
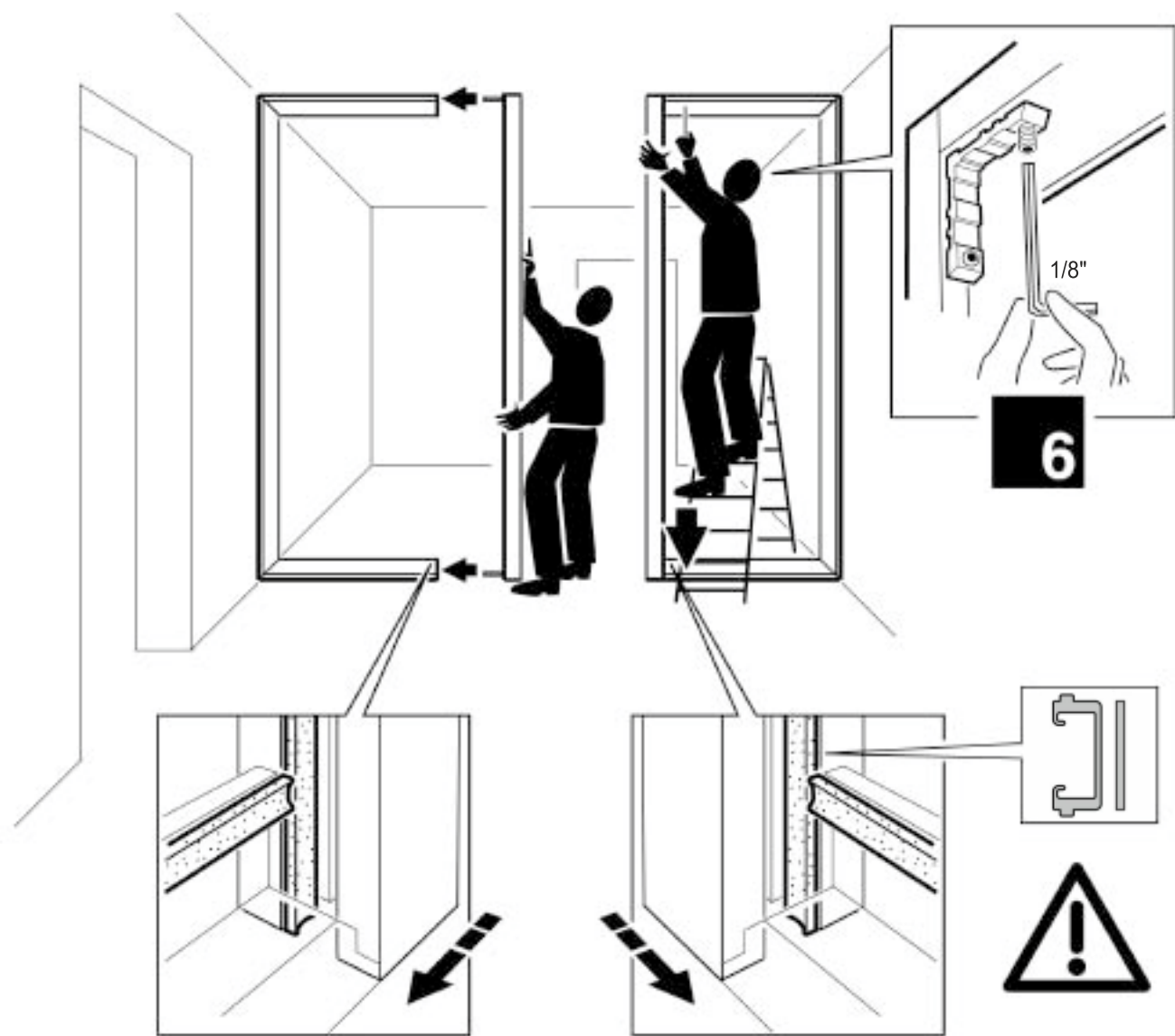
# HINGED DOOR

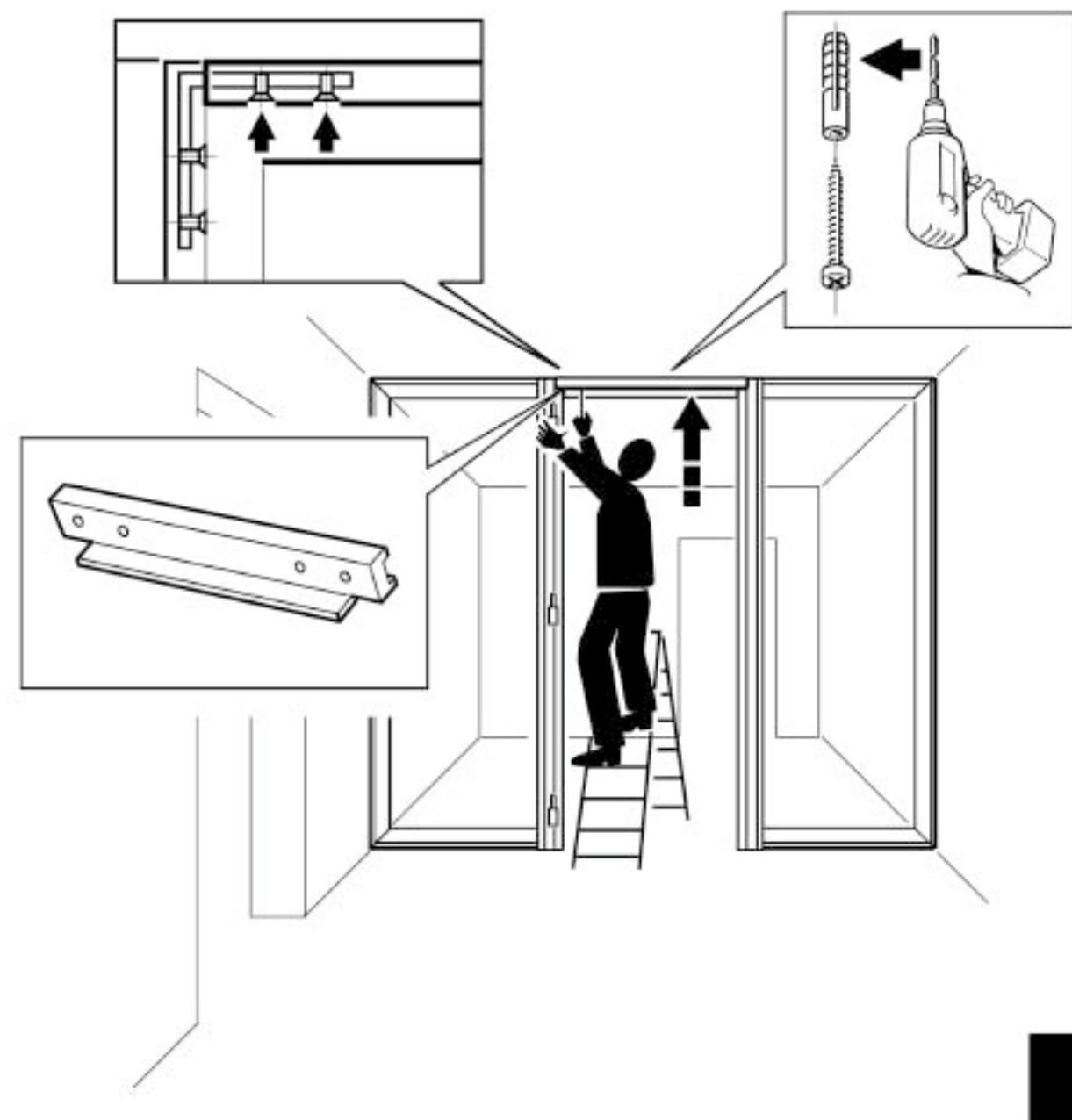
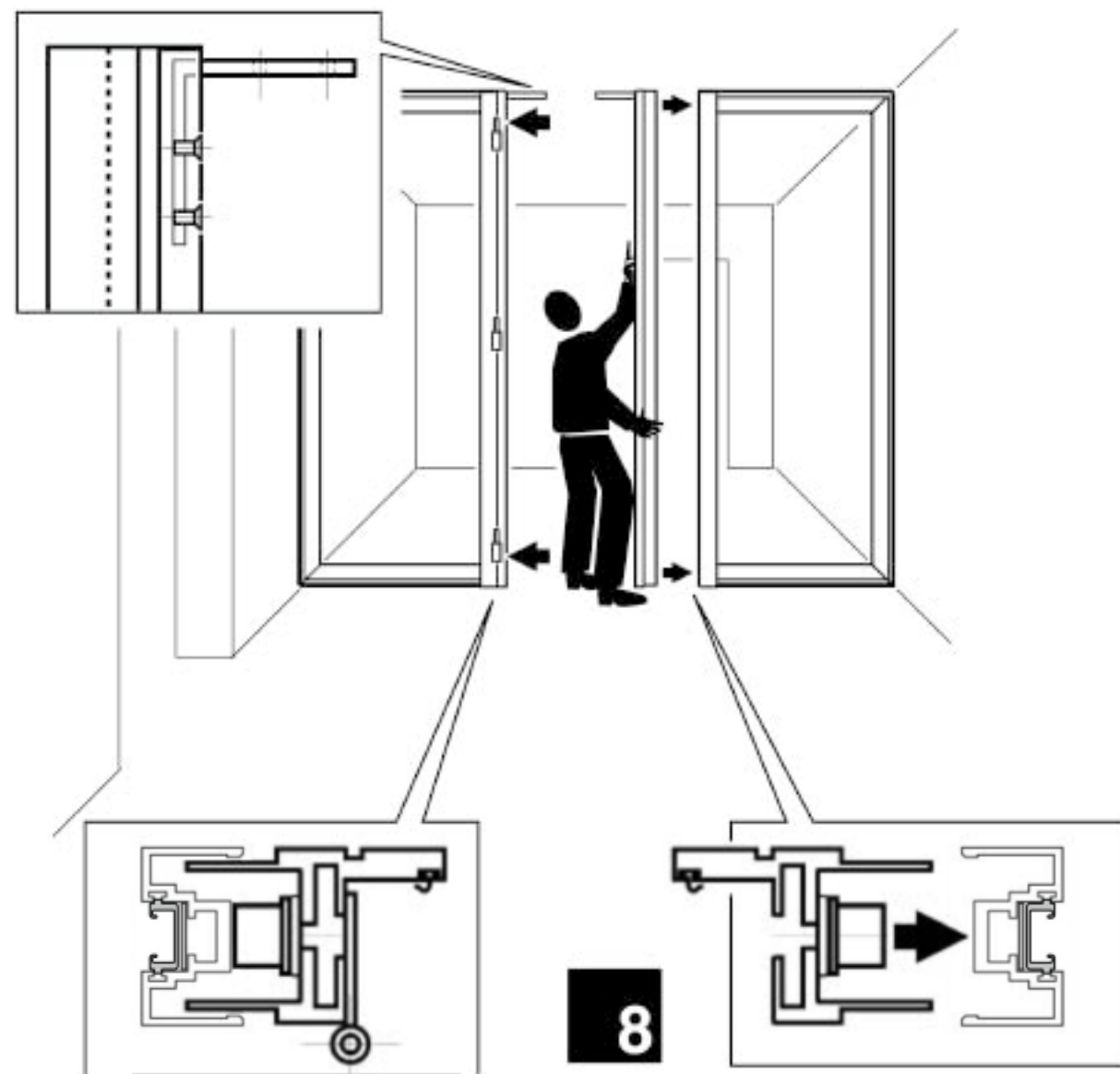


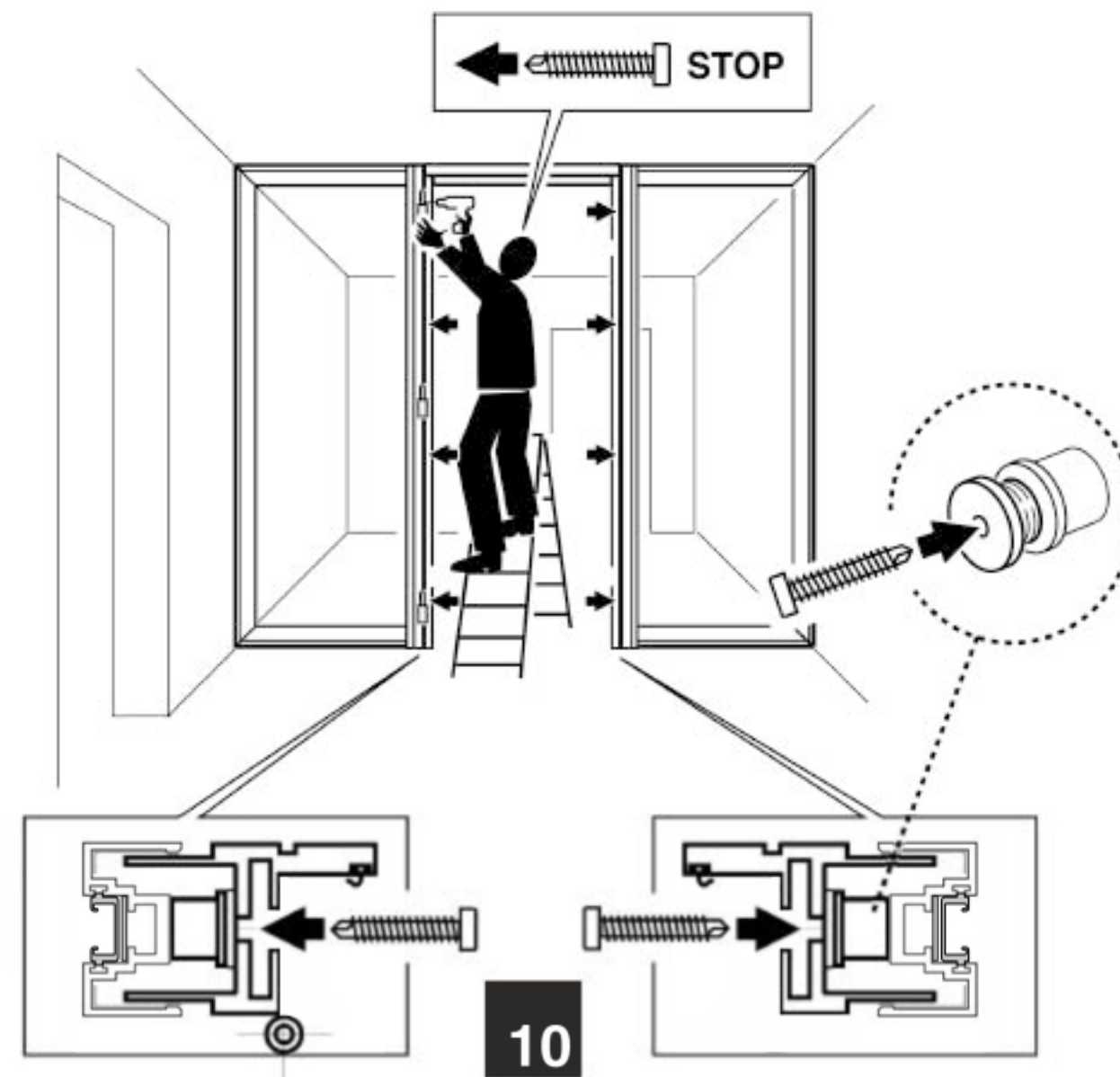
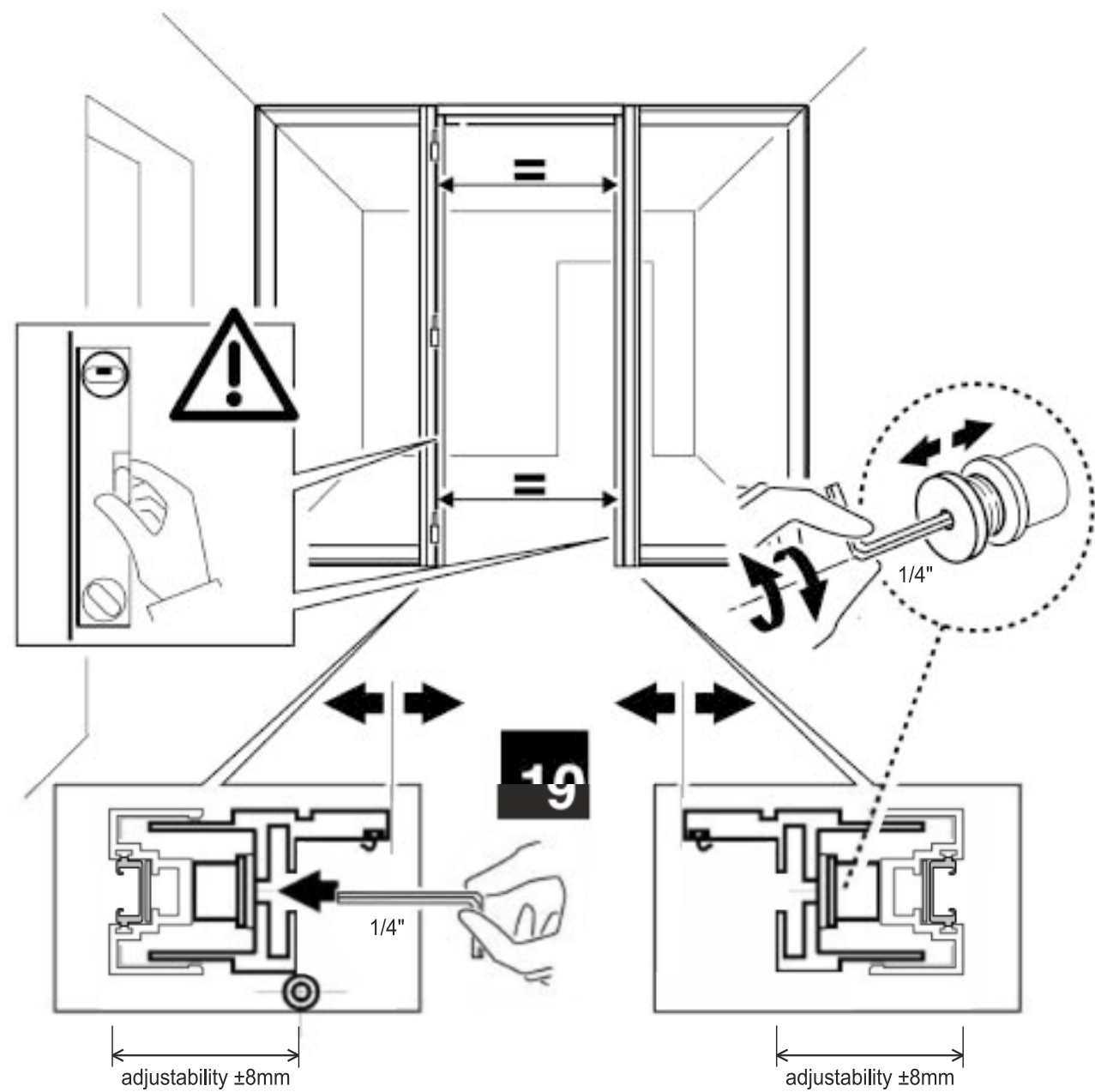
1

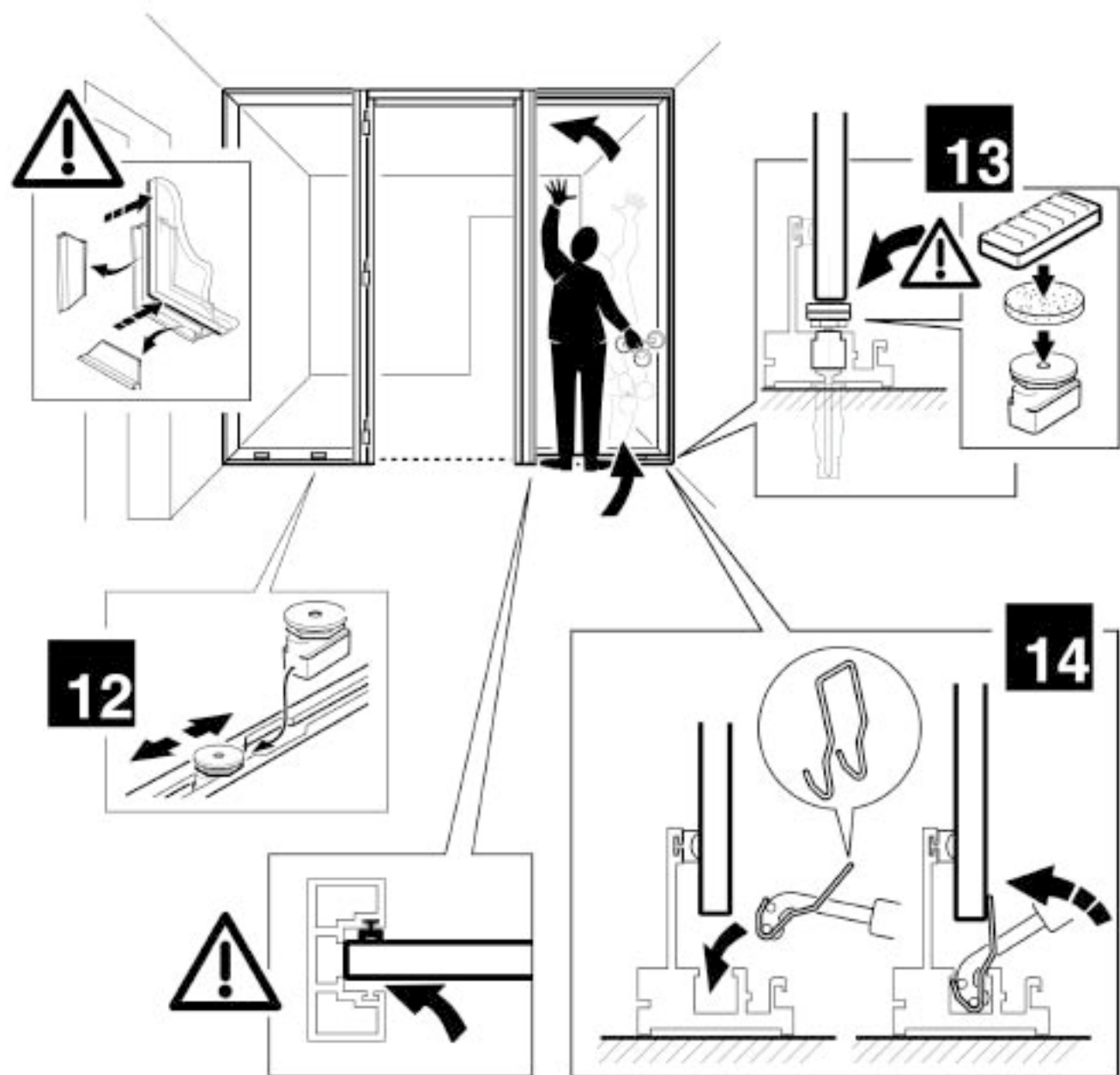


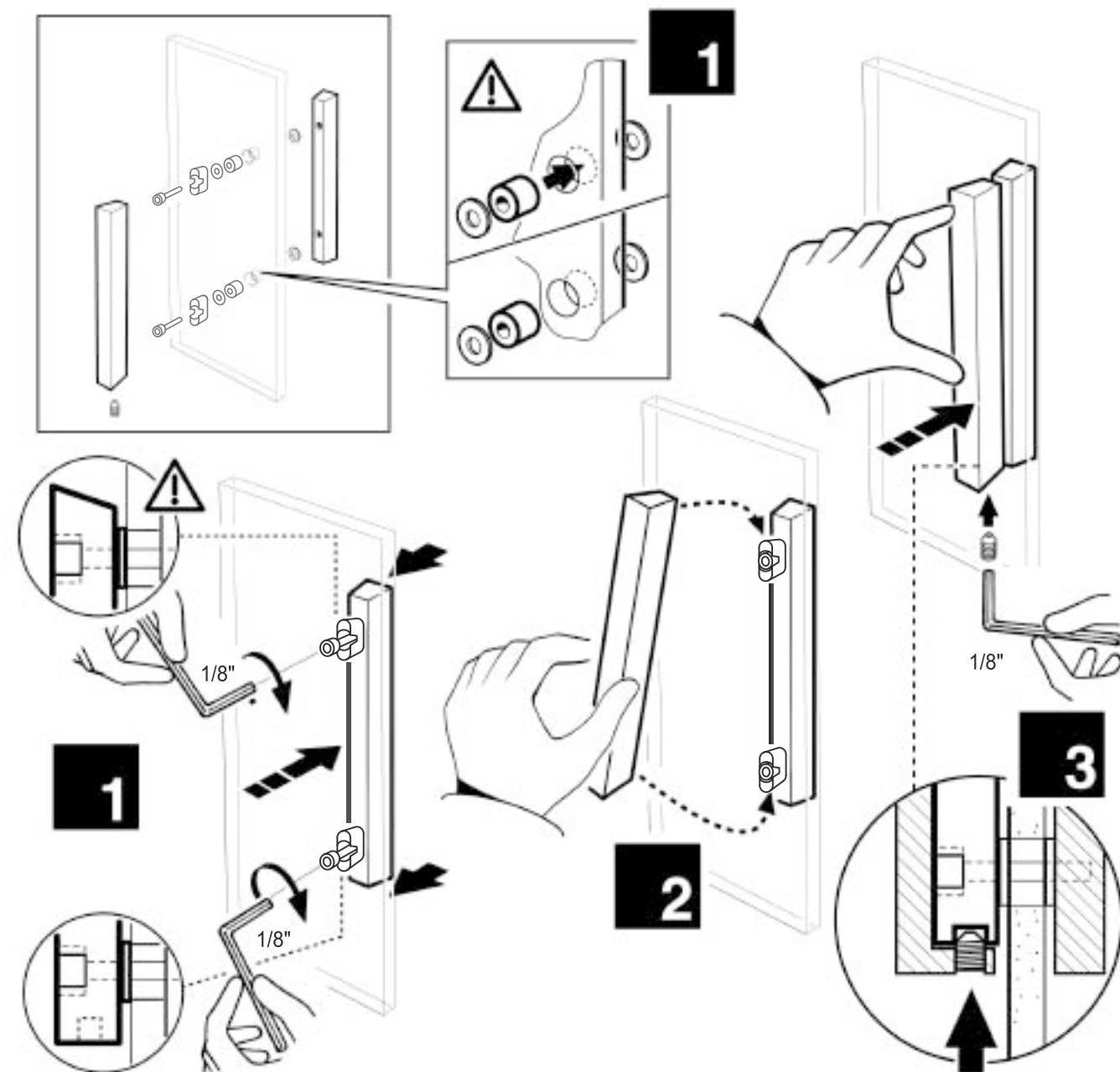
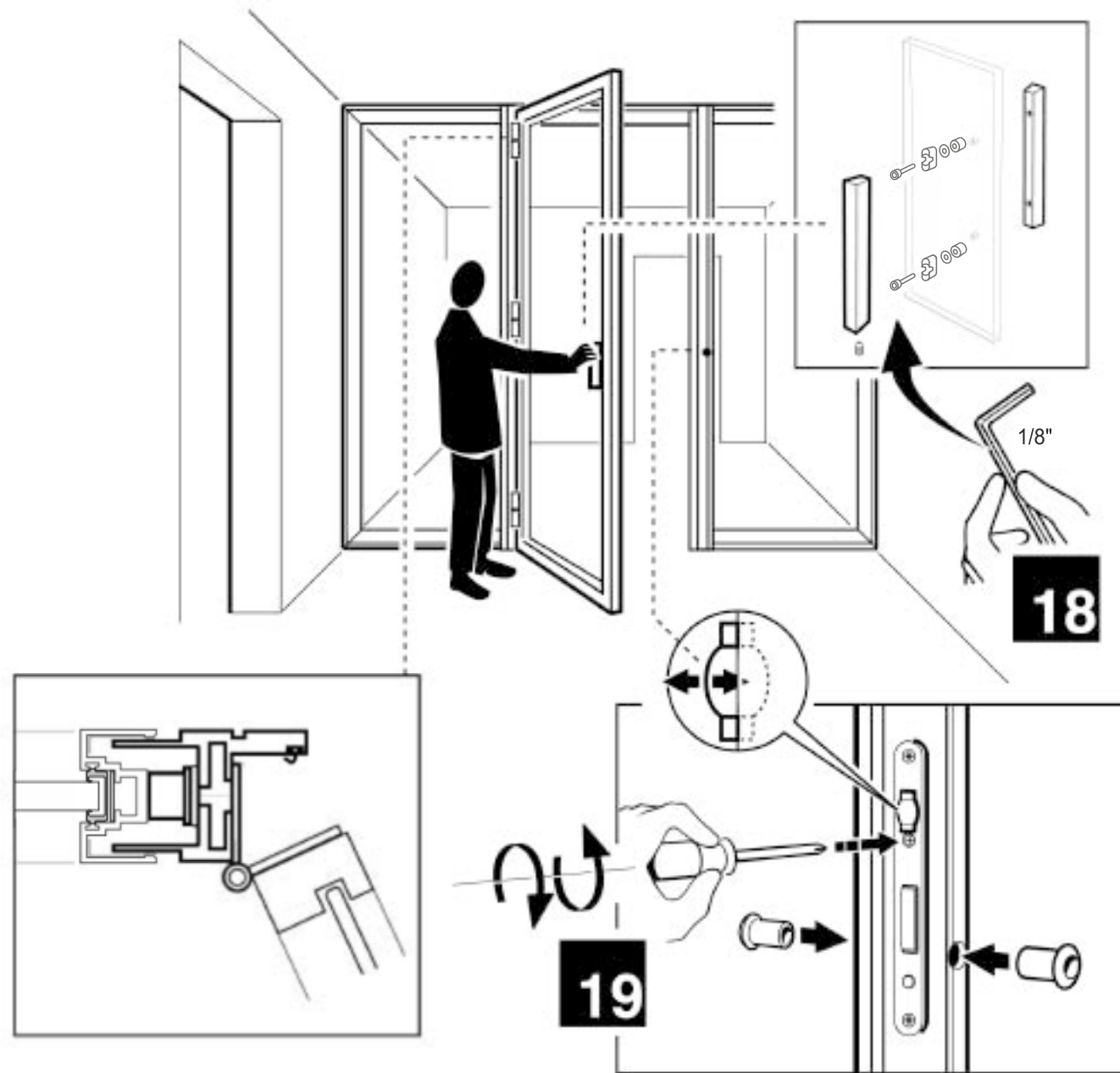




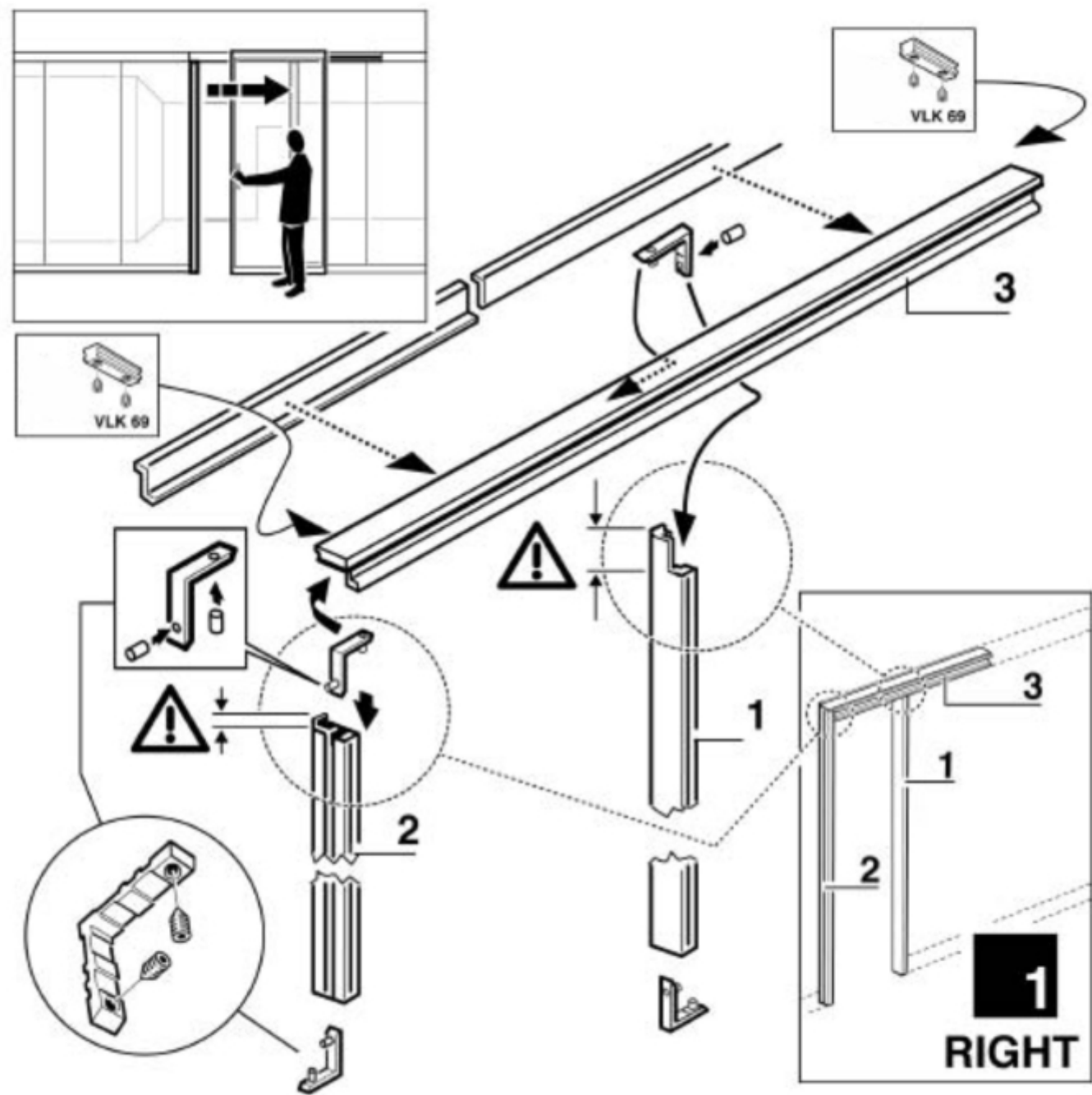


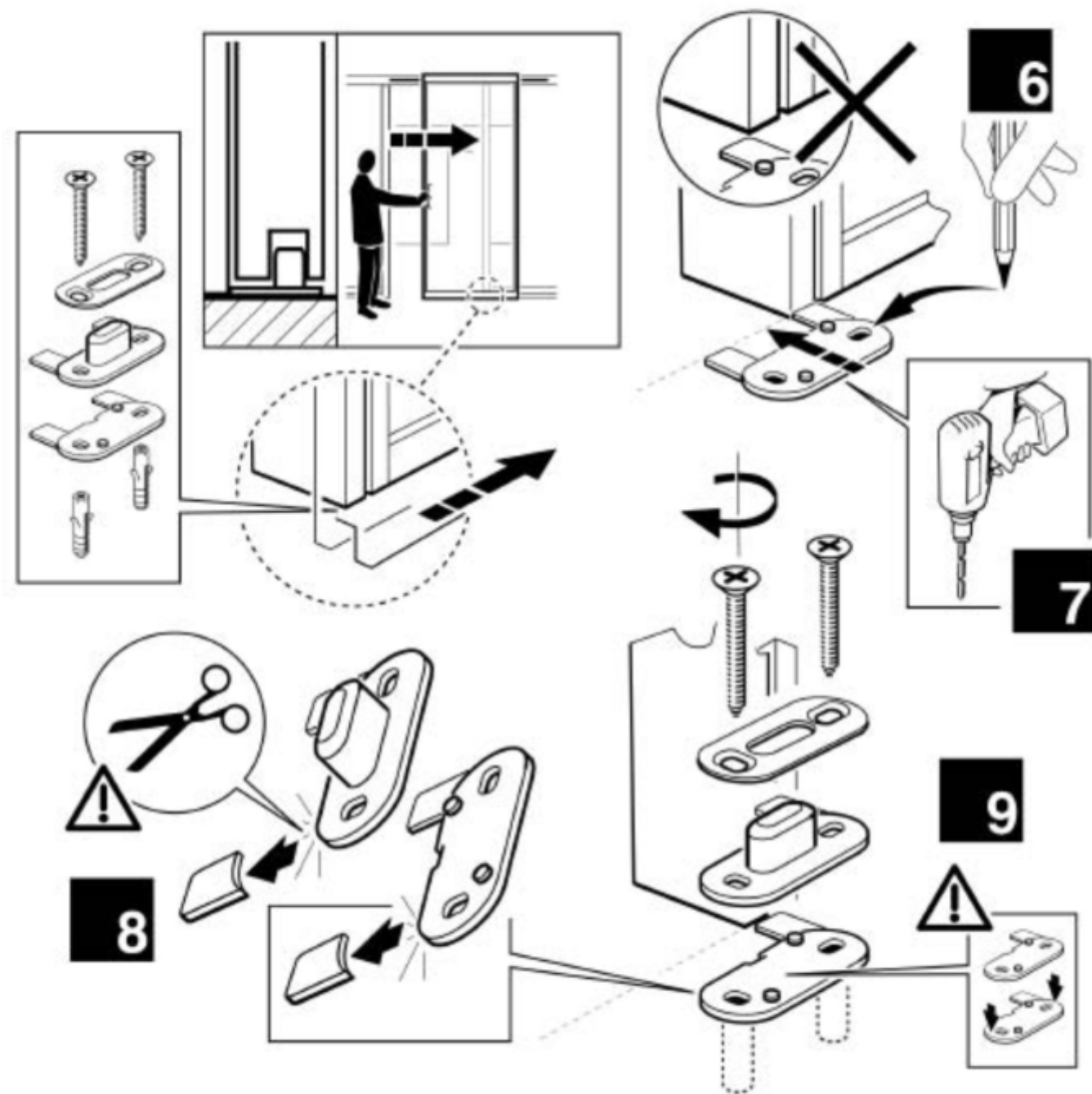
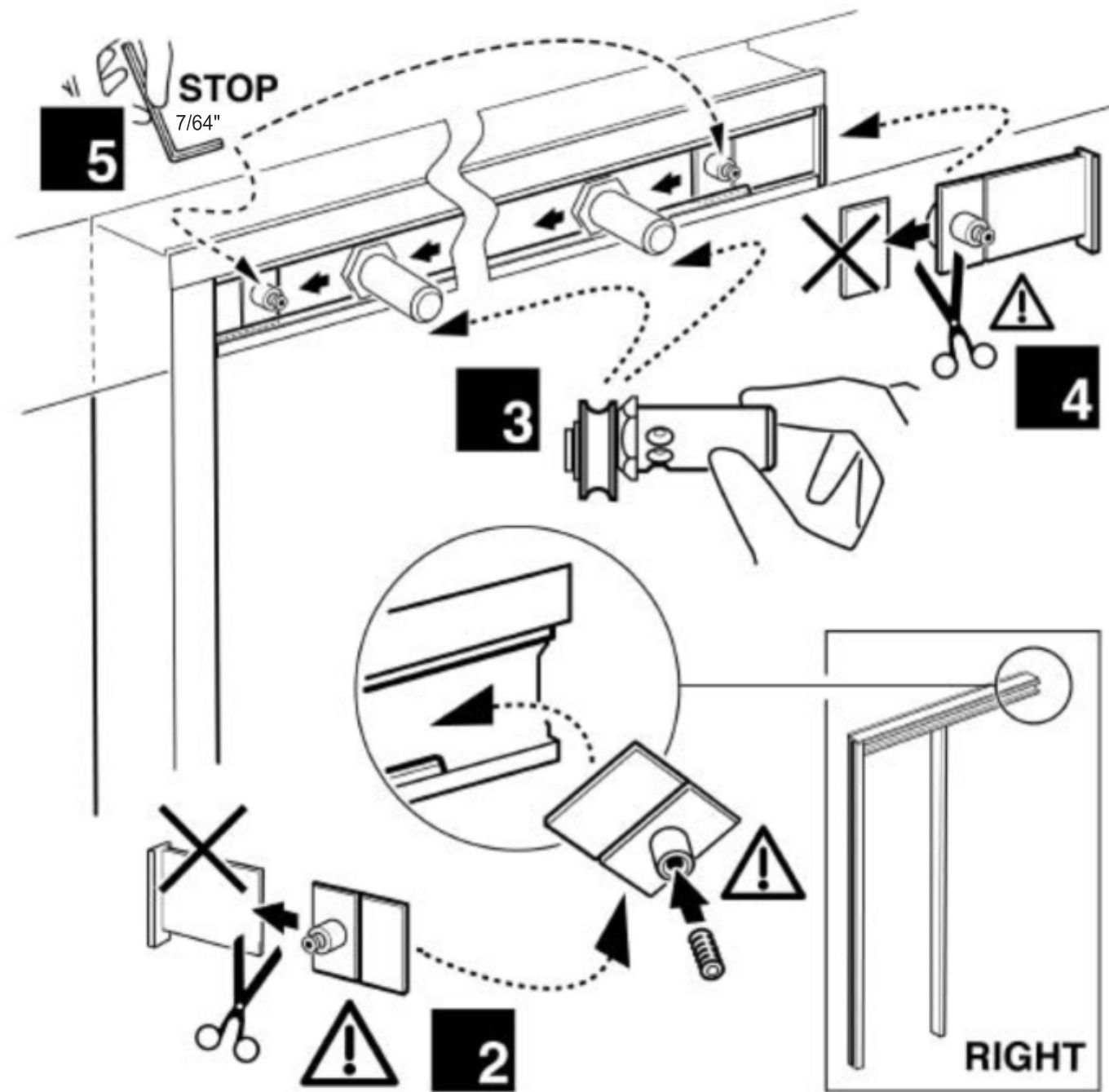


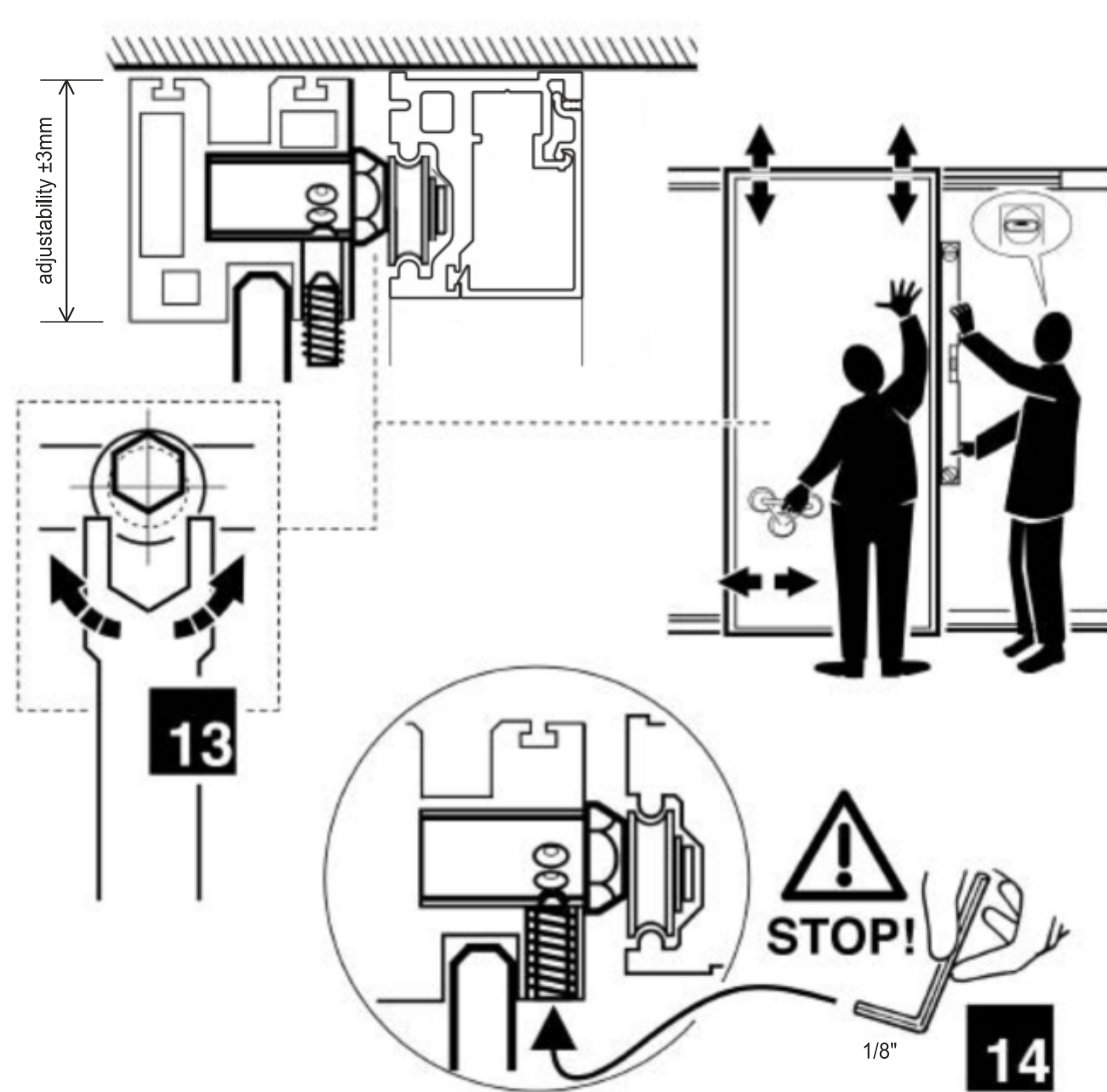
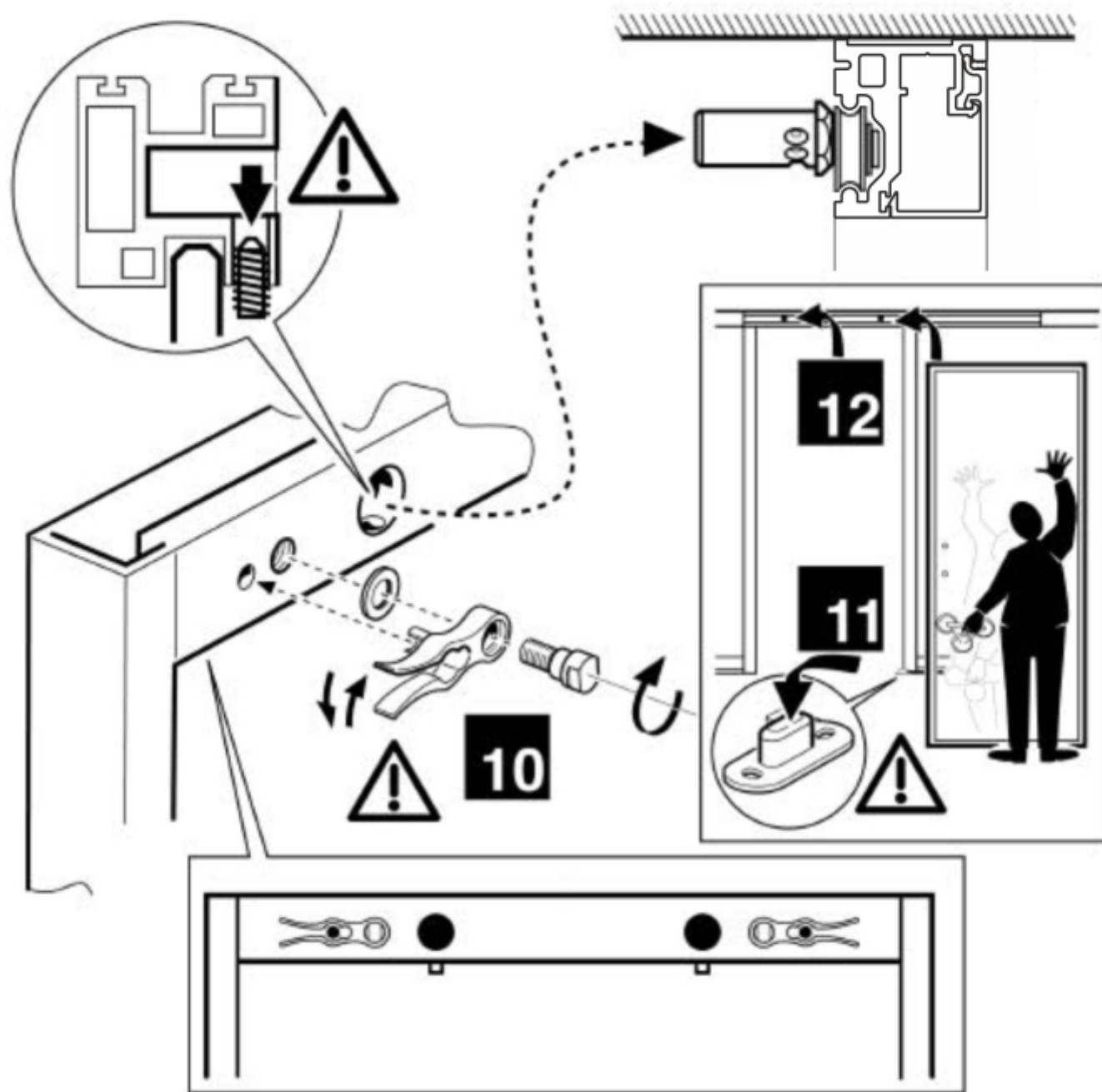




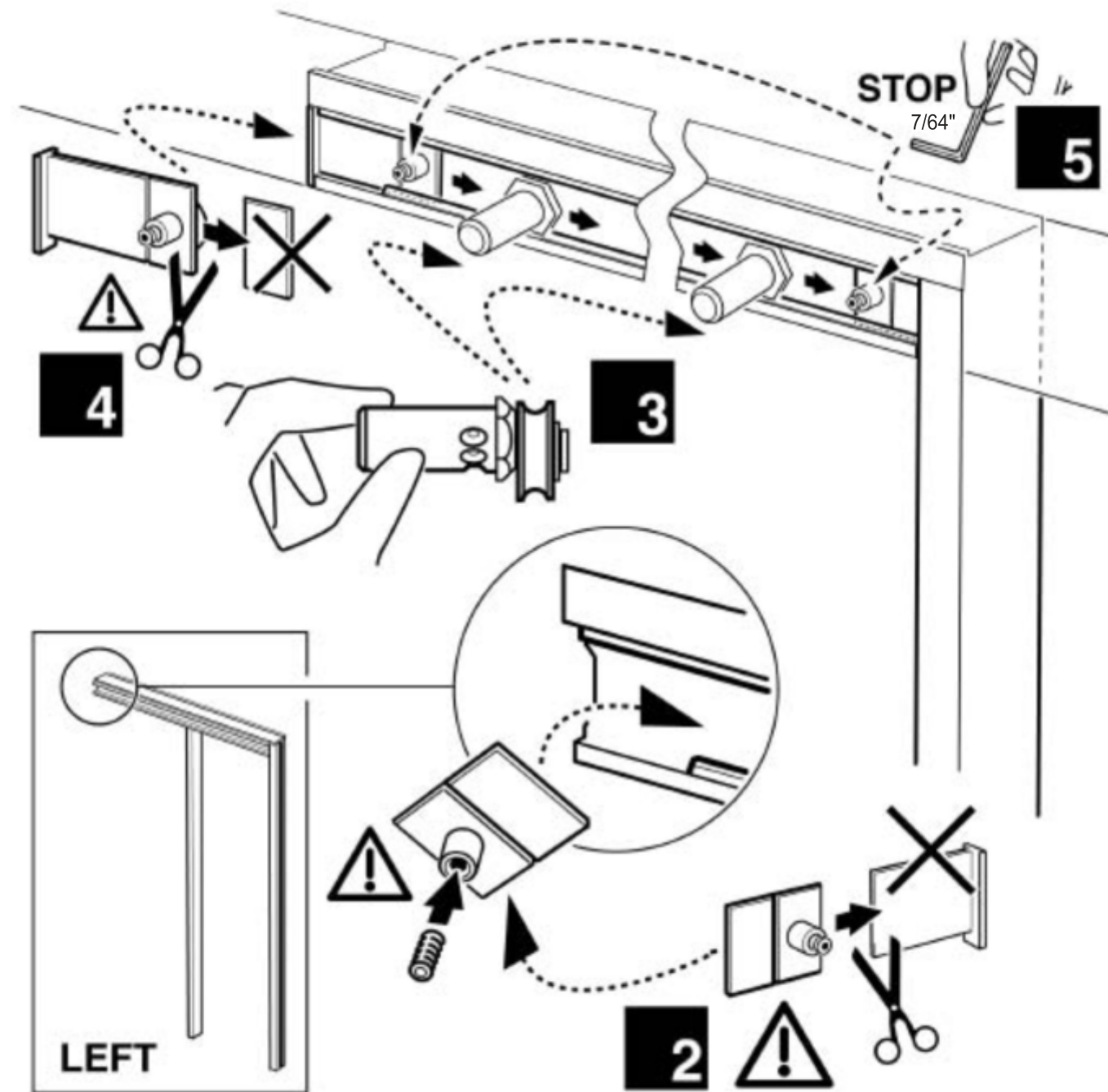
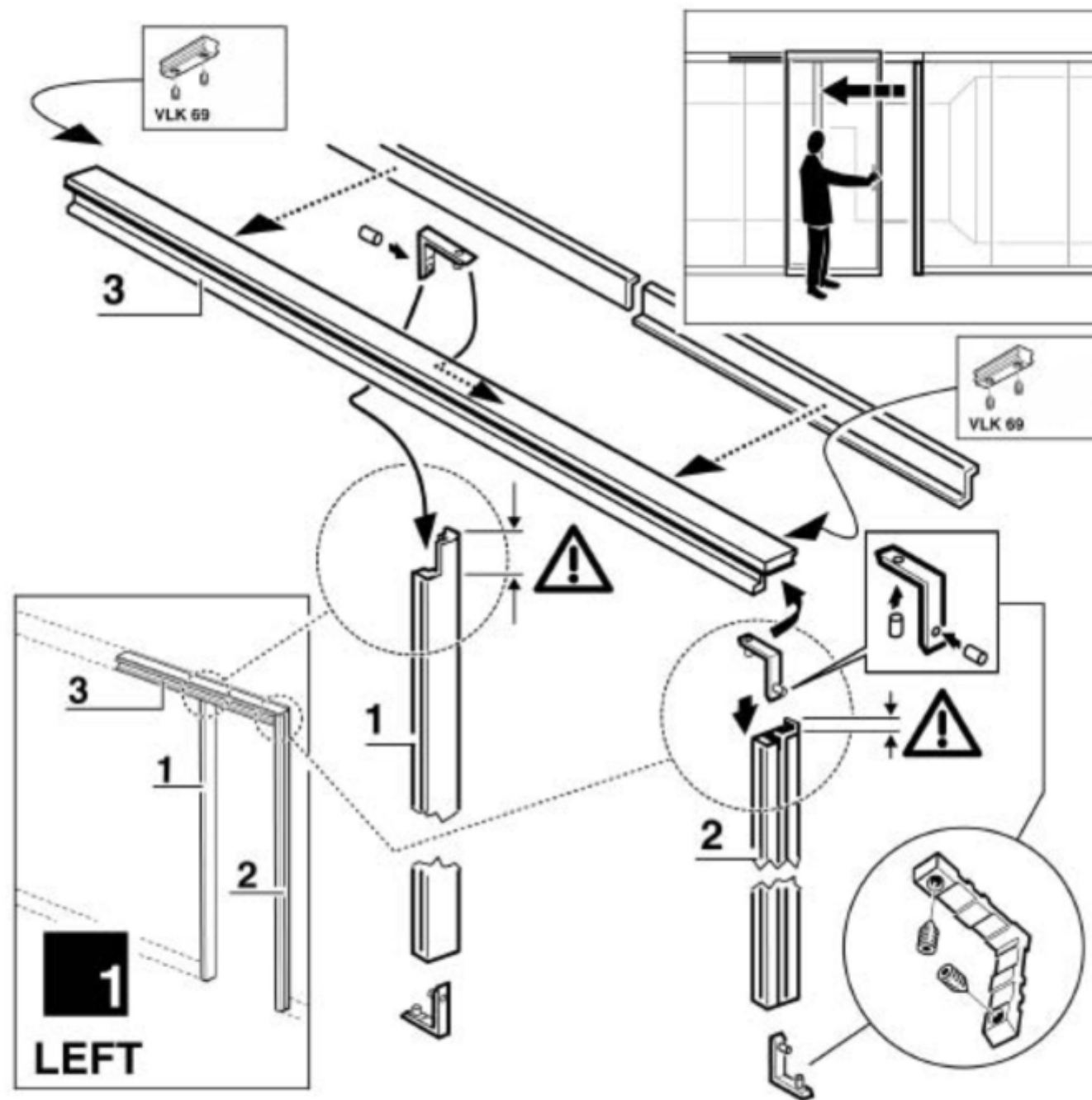
# FRAMED SLIDING DOOR

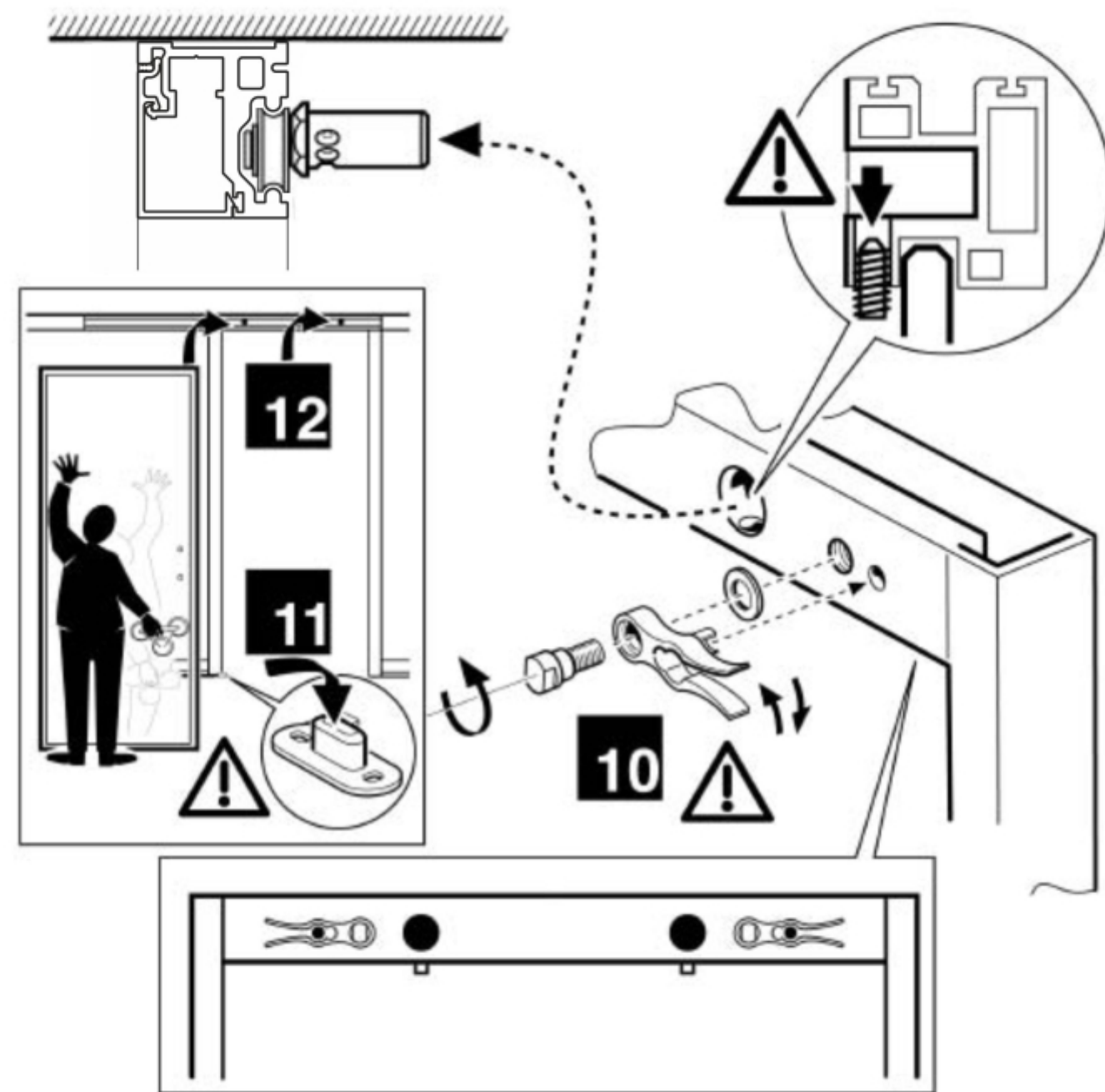
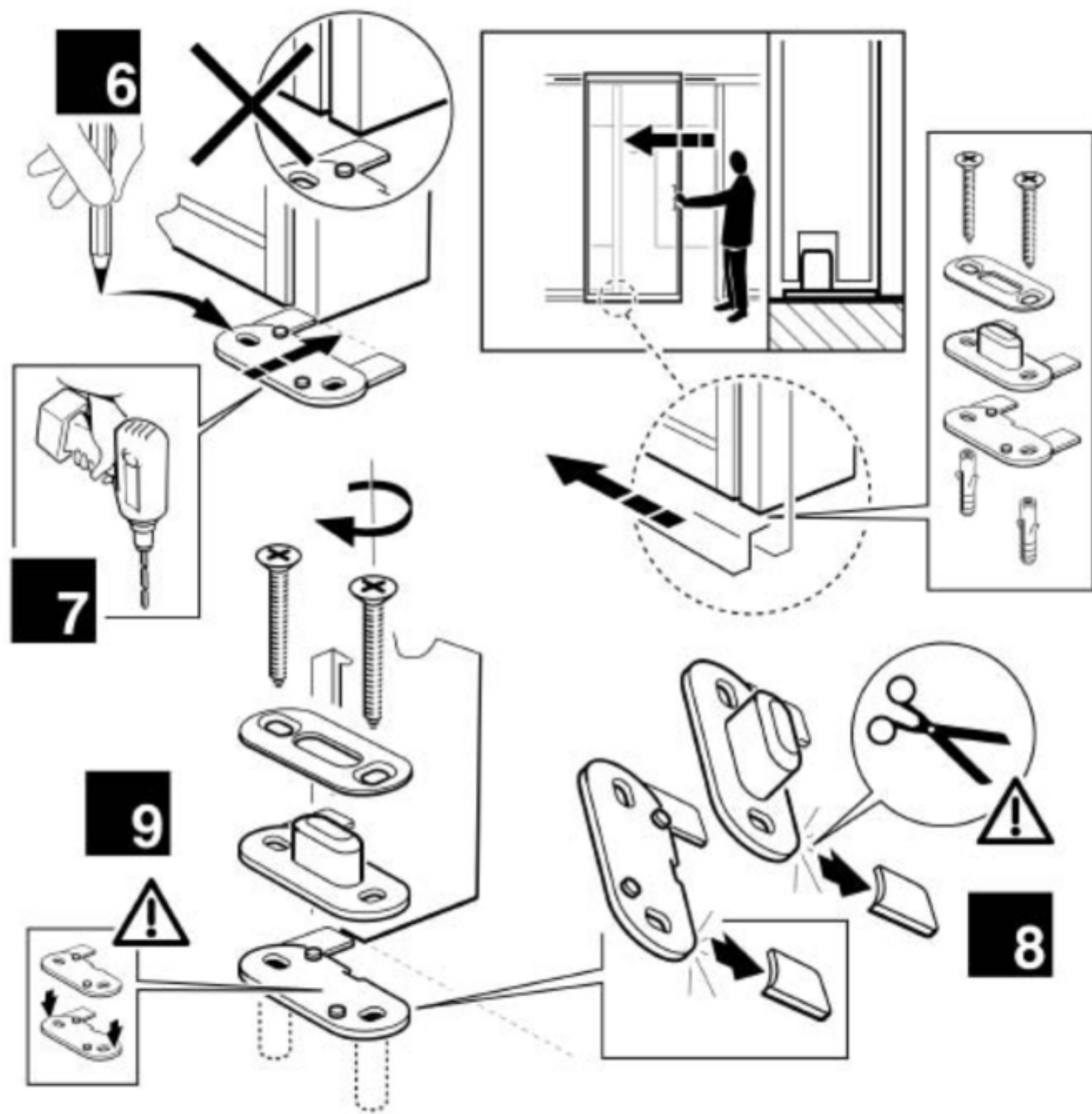


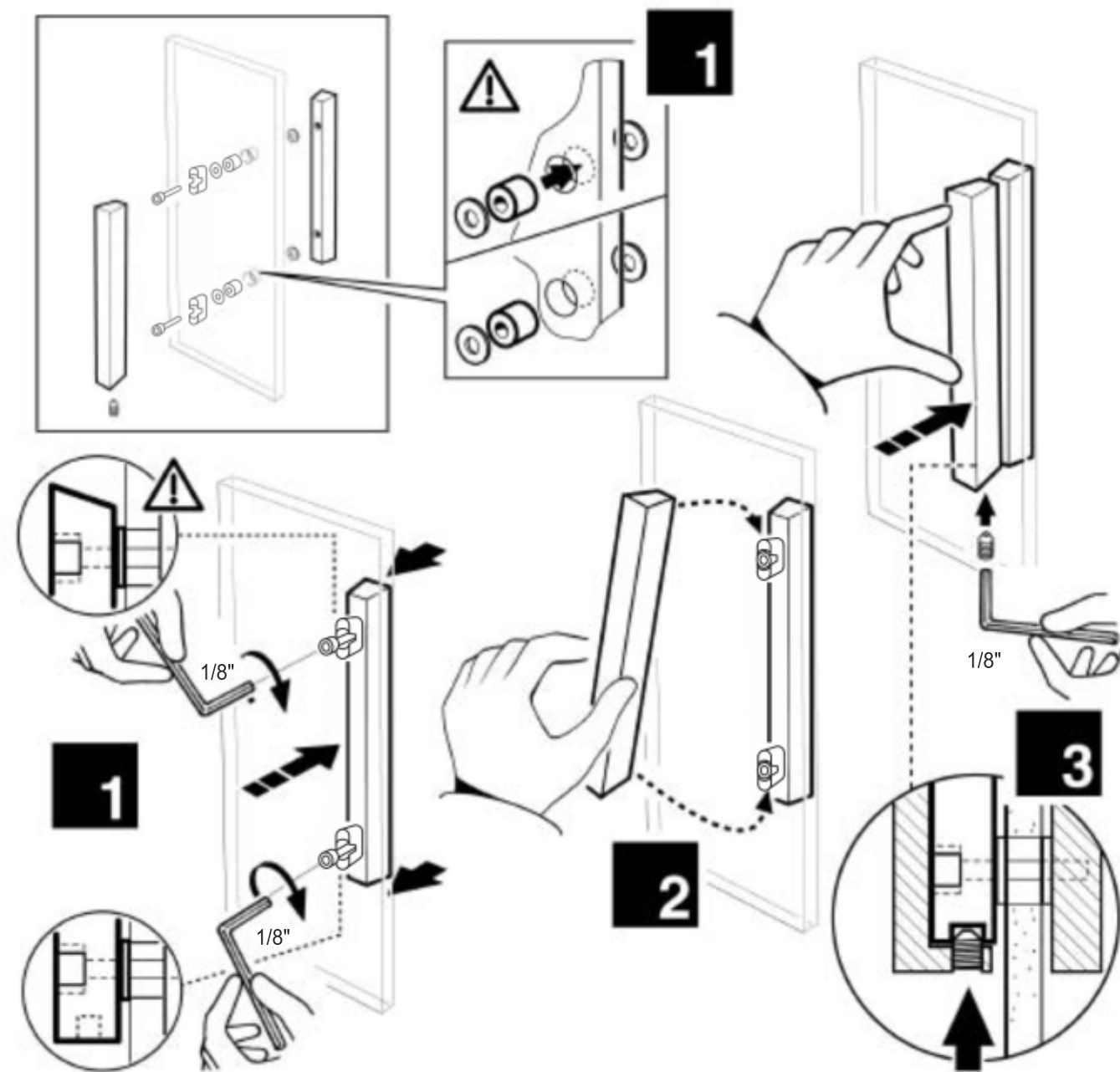
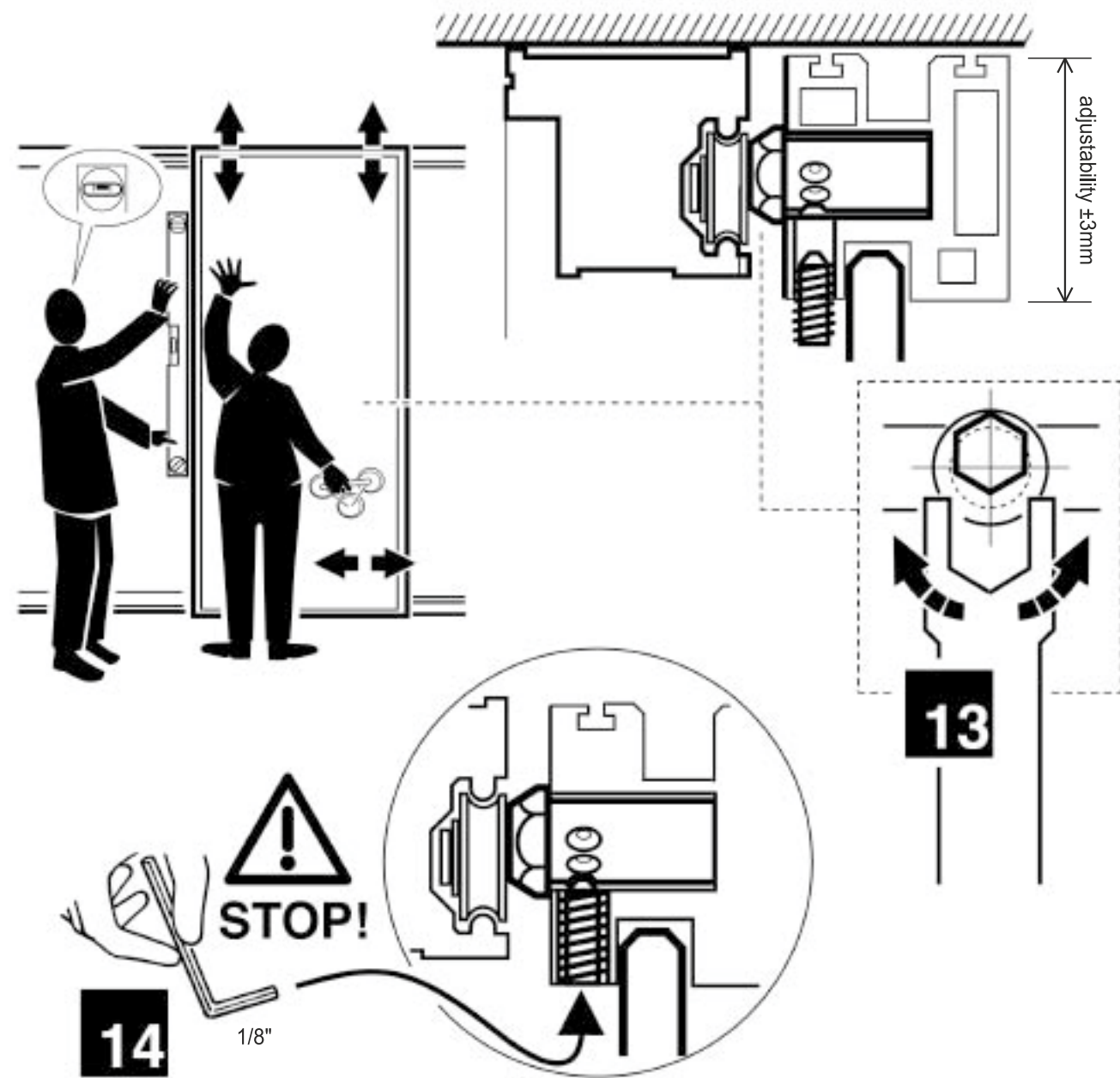


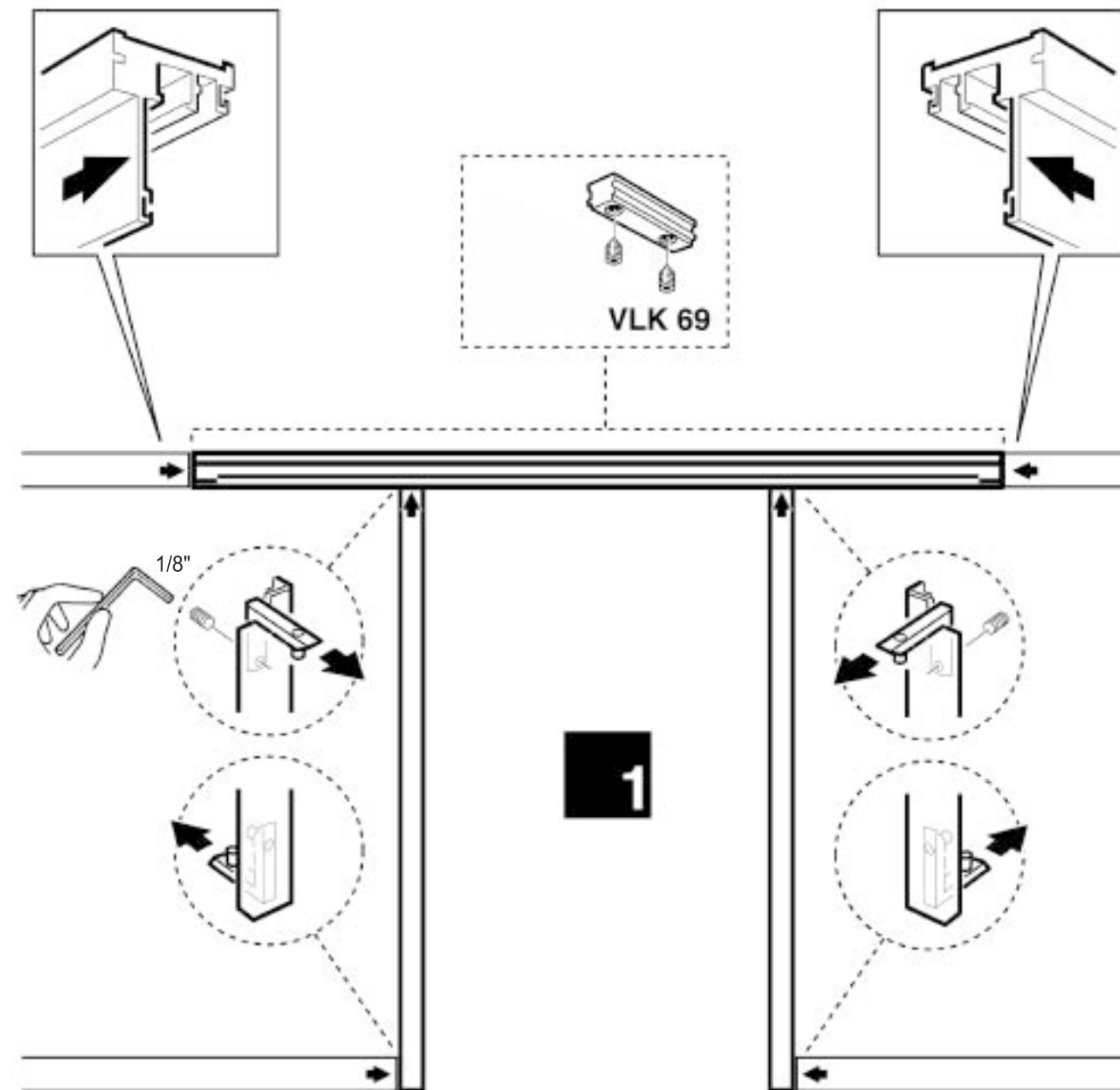
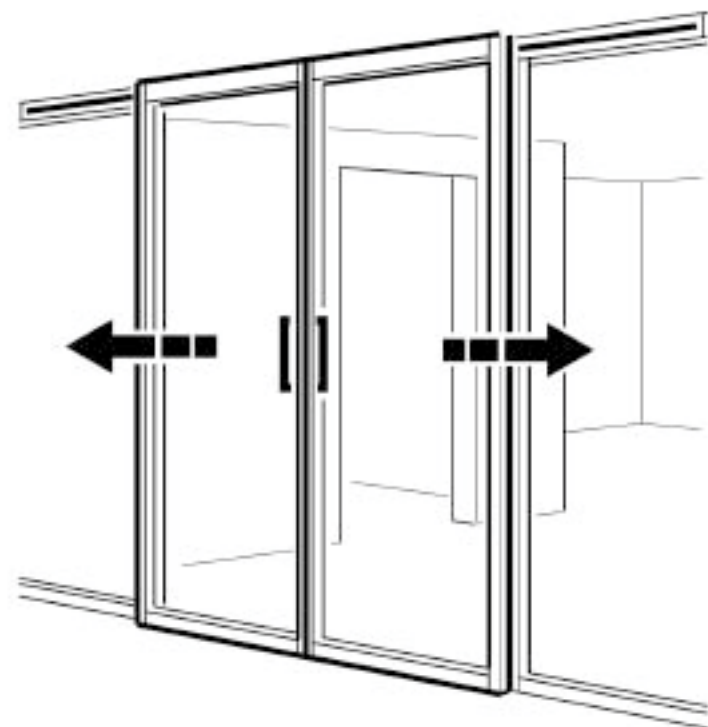


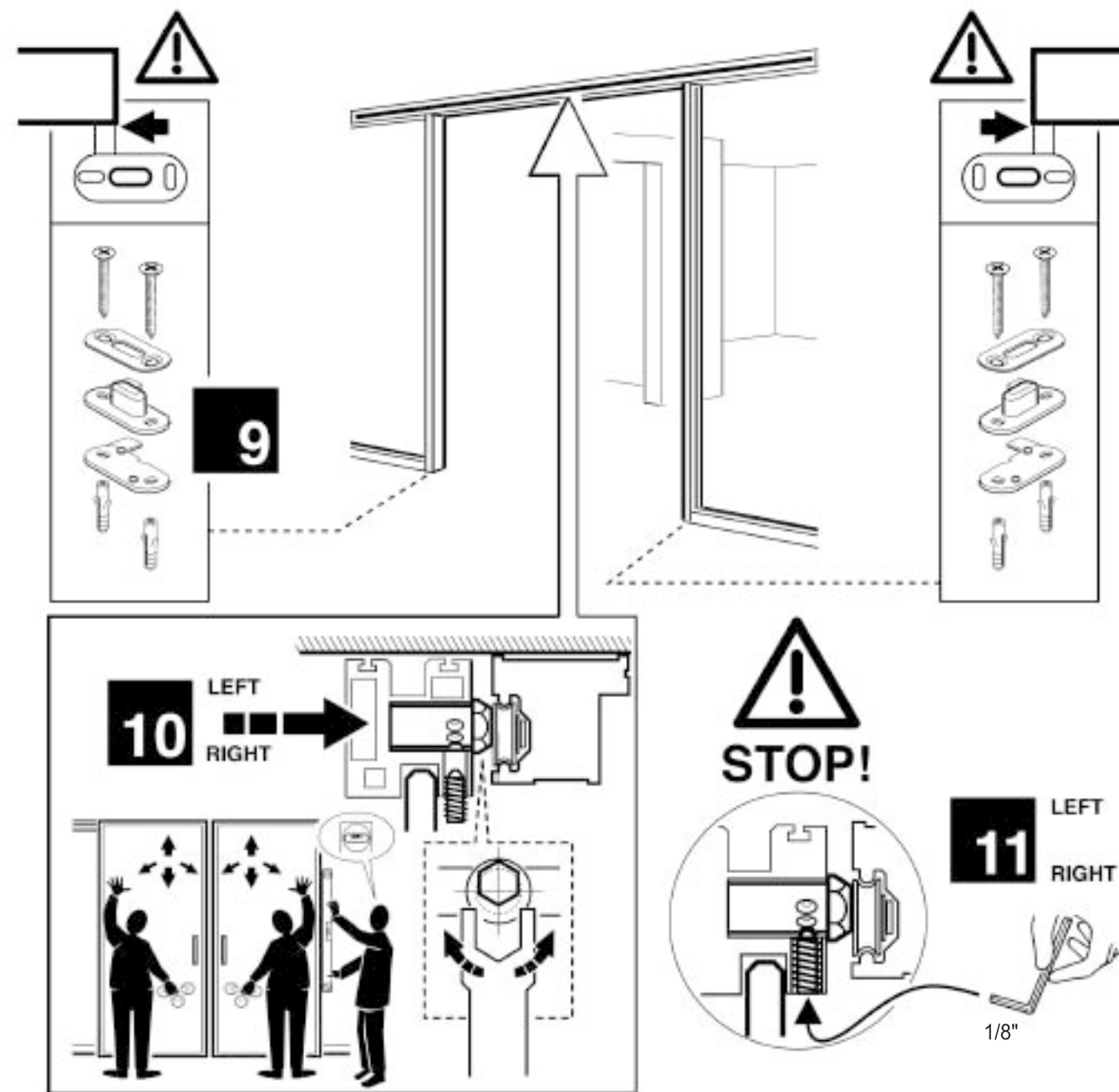
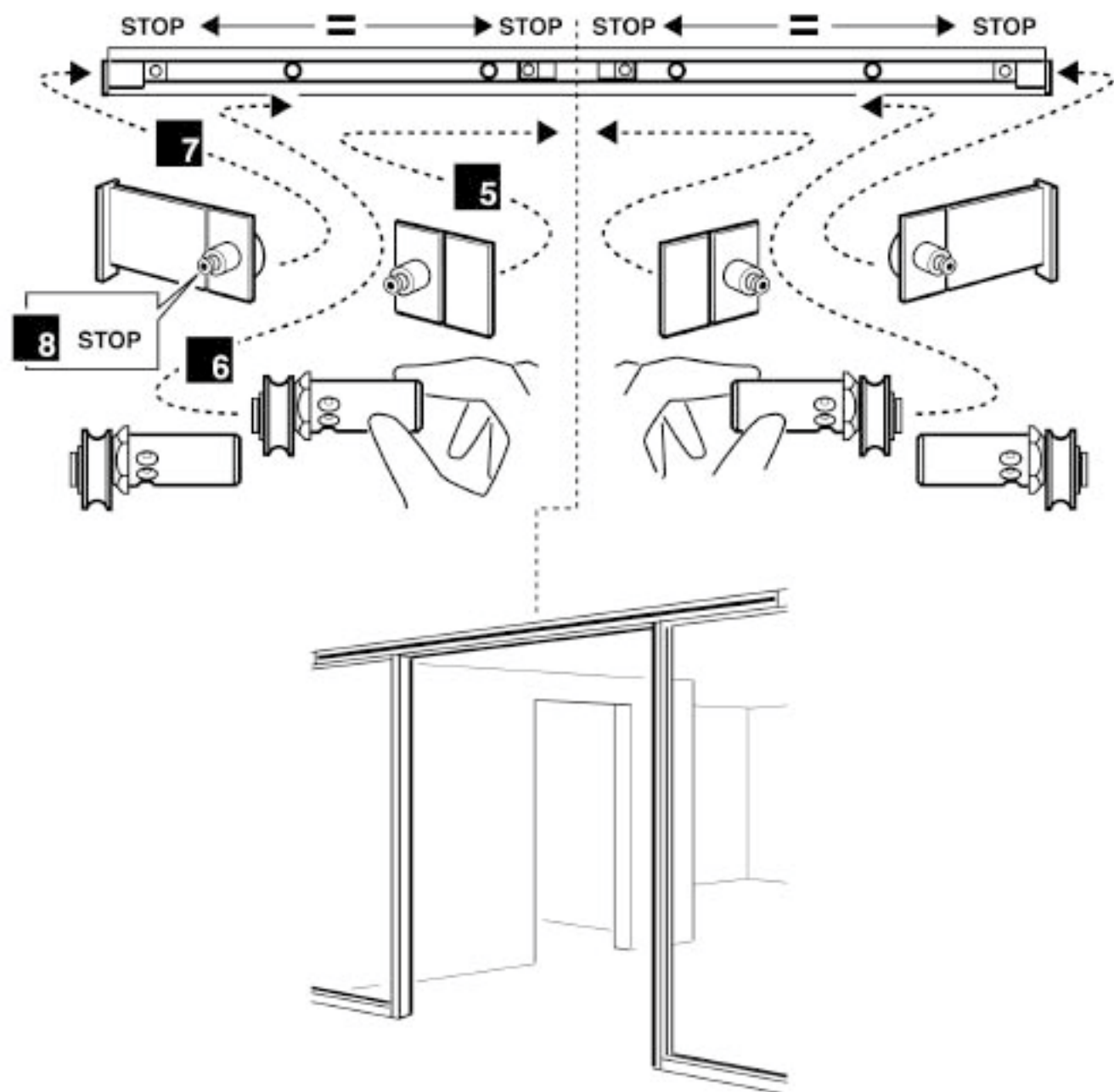




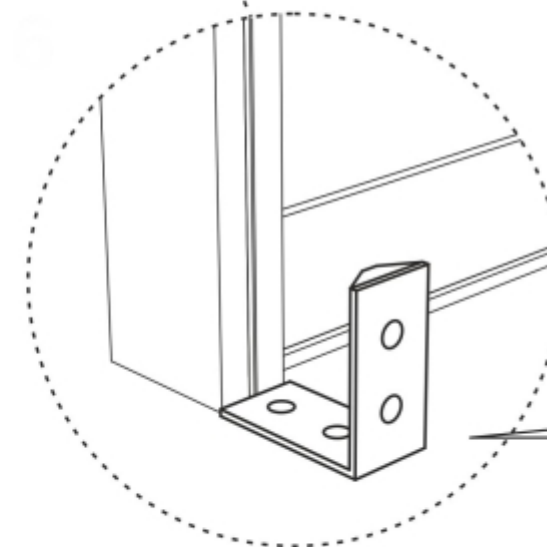
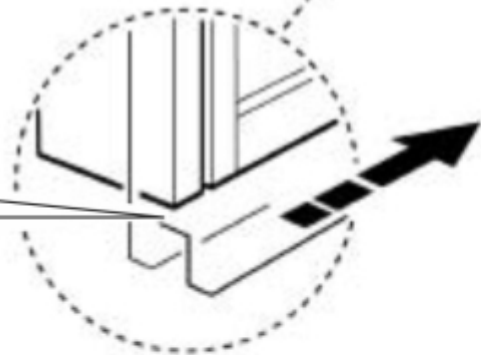
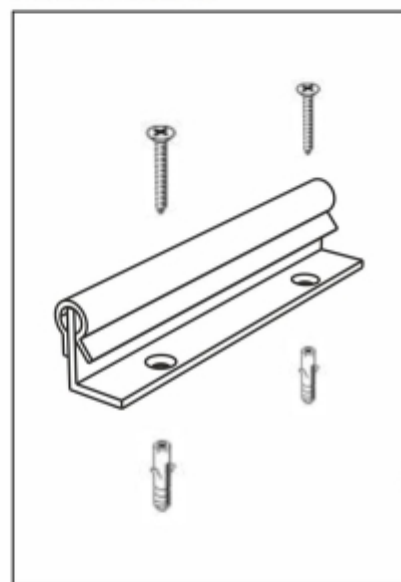








**FLOOR GUIDE**



**L BRACKET**

