

glassRAILINGS > Level



CARVART's new innovative interior and exterior glassRAILING system features a **completely flush, structurally glazed** product that **conceals all attachment methods**. With **no visible hardware**, the glass provides **elegant** and **seamless** lines.

Structural interlayer and **specialty glass** with **color, texture** and **pattern** give a high level of stability while providing flexibility for **creativity**.

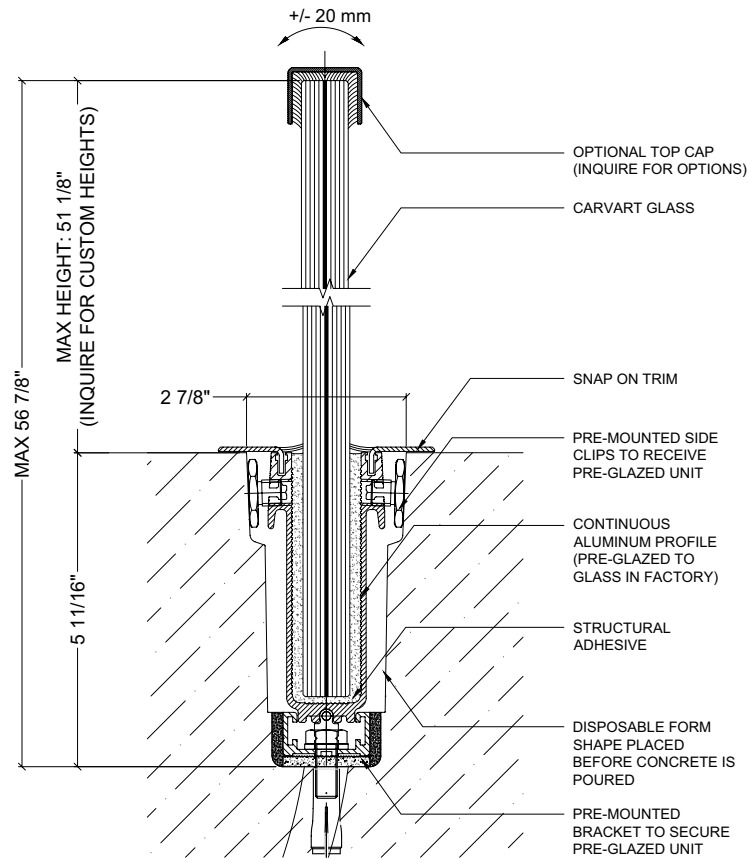
The system is **pre-glazed to hardware** for **easy site installation**.

glassRAILINGS > Level

GR-RAIL-LE



EXAMPLE INSTALLATION



TYPICAL VERTICAL SECTION

Specifications

glassRAILINGS > Level

CARVART's innovative railing/cladding solution is structurally glazed to conceal all mounting hardware and give the system a frameless, flush look. Available for interior and exterior, the glassRAILING > Level can be configured to create stunning recessed railings.

APPLICATIONS —

Railings/balustrade (interior and exterior), enclosure cladding, staircases

HARDWARE —

Concealed structural aluminum cleats at wall anchored to client-supplied substrate are pre-installed prior to installation of the glass railing.

Glass railing is pre-glazed in the factory to a continuous structural aluminum profile that is cured to strength and can easily snap in to place and fastened to the aluminum cleats.

MOUNTING —

- In-Ground
(Disposable form shape places before concrete is poured. Then extrusion is mounted in channel)

GLASS THICKNESS —

Tempered laminated:
-Maximum 1" [25mm]

WARRANTY —

1 Year Limited Warranty

Specification Code: **GR-RAIL-LE**

| | | |
|-----------|-------------|-----------|
| GR | RAIL | LE |
| LINE | TYPE | MODEL/ID |