

# modular WALLCLAD LIGHTING PANEL WIRING

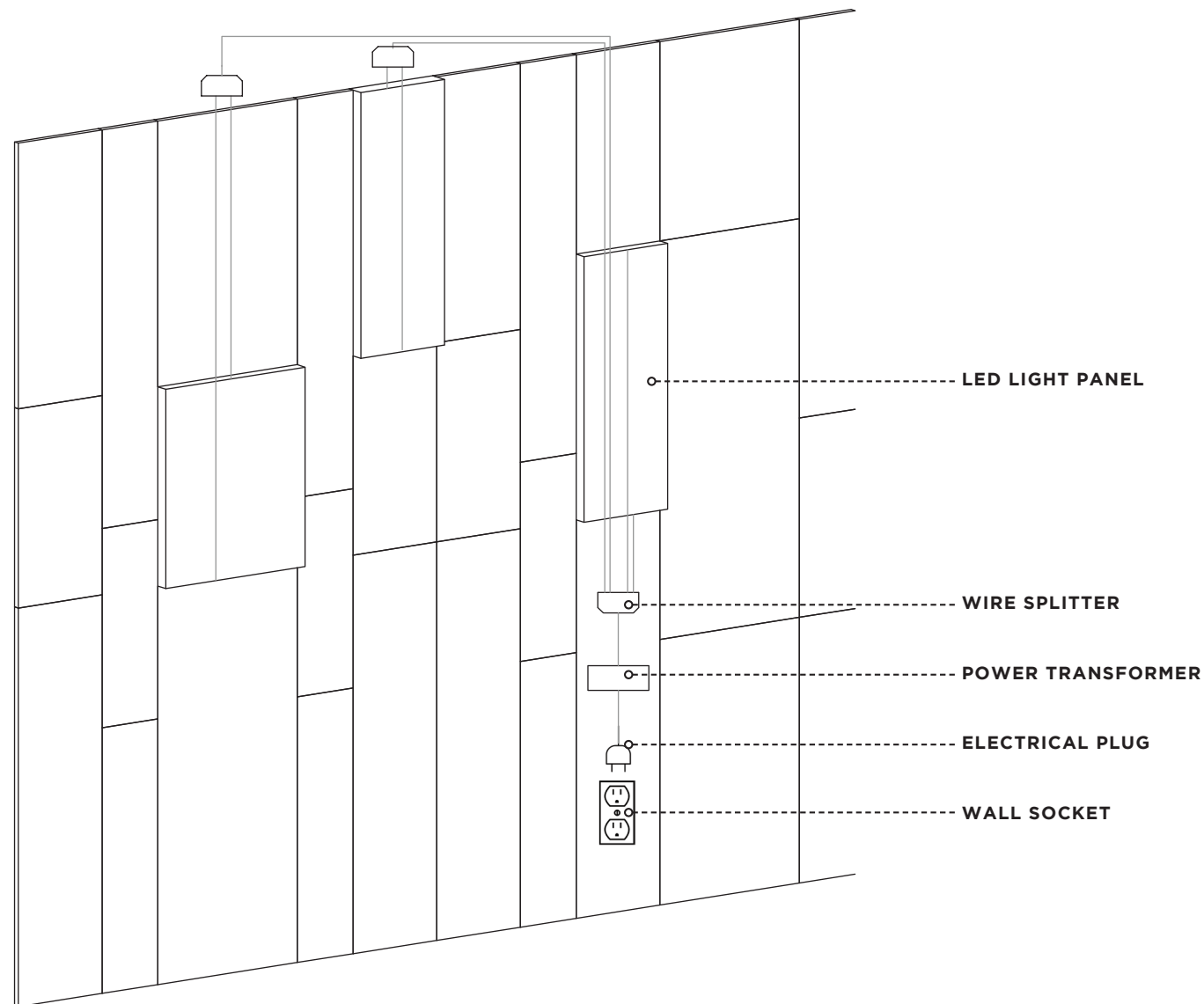


# Lighting Panels Wiring

Wire together LED Light Panels with low-voltage wires, and connect to power transformers. Conceal components and wiring behind panels.

## COMPONENTS

Simple, industry standard, low voltage components, wired to building power.  
Provide CARVART with your electrical design considerations for recommendations on installation.



**12 VOLT DC POWER TRANSFORMER**  
100V - 240V AC to 12V DC LED Low Voltage Transformer. IP 67 Waterproof Converter Constant Voltage LED Driver for Lightings (30 Watts)



**WIRE CONNECTIONS**  
Low voltage pin connectors for easy installation. No soldering components.



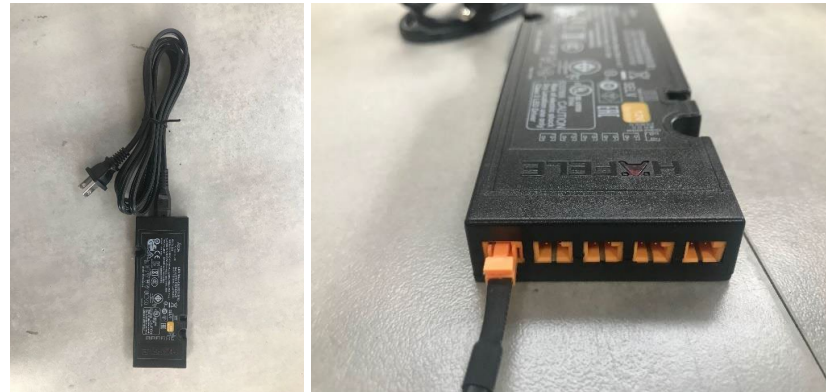
**6-WAY WIRE SPLITTER**  
Gang LED Light panels together with wire splitter to simplify wiring. 2 meter extension cord included.



**US POWER PLUG**  
Plug directly into standard 110/120V U.S. standard building power.

# Installation Instructions

## COMPONENTS



POWER SUPPLY WITH US ELECTRICAL PLUG

POWER SUPPLY 100-240V / 12V / 20W 6 CABLE CONNECTIONS



LEAD RIBBON (CONNECTS LED TO POWER SUPPLY TO WIRE SPLITTER)



LED LIGHT STRIP IN PANEL

## OPTIONAL



6 WAY WIRE DISTRIBUTOR

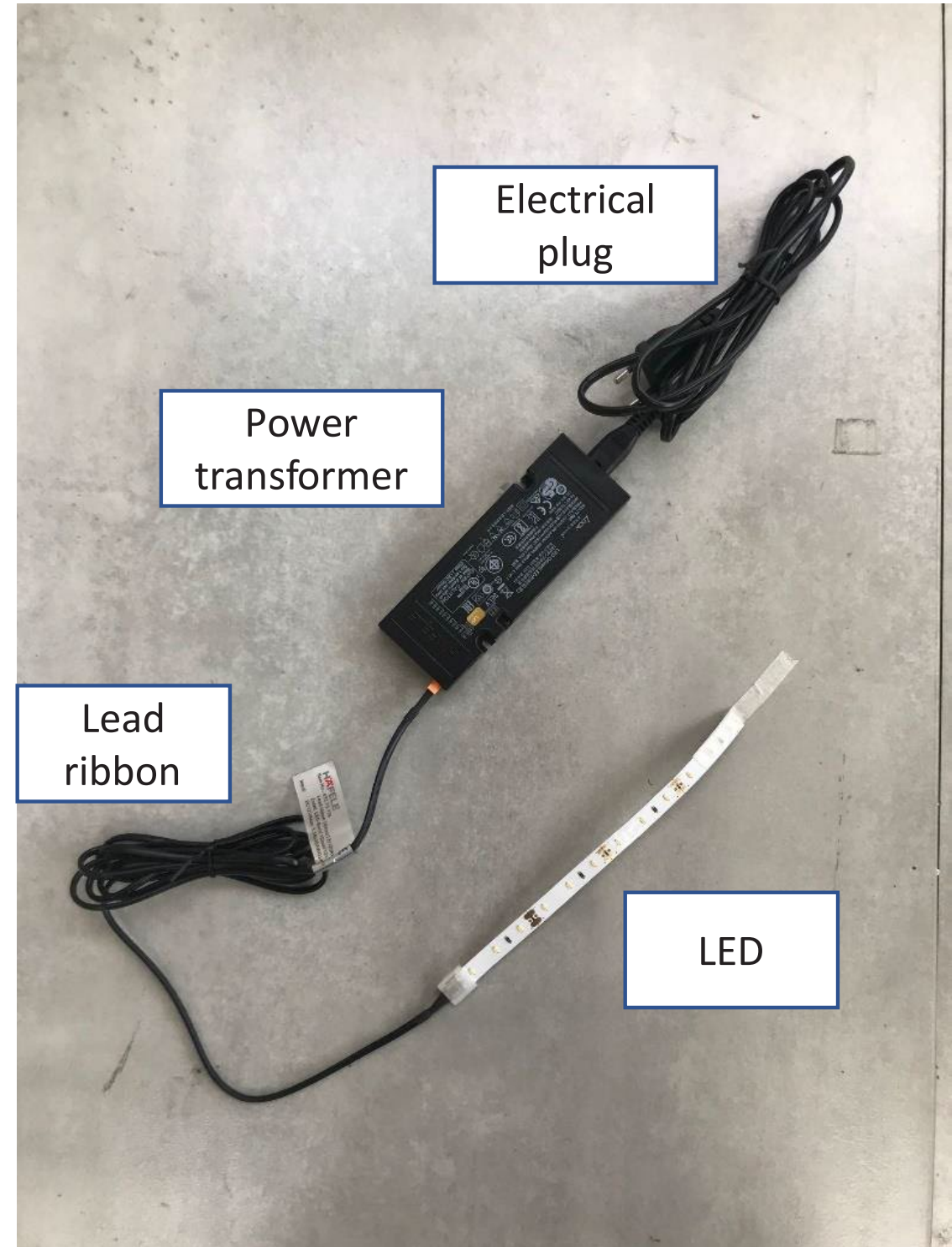


4 OR 6 CHANNEL REMOTE CONTROL



REMOTE CONTROL RADIO RECEIVER

## EXAMPLE CONNECTION



Electrical plug

Power transformer

Lead ribbon

LED

# Remote Control

**DETAILS**

- Remote control has 6 buttons, allowing for 6 separate light controls & dimmers
- Radio receivers hosts up to 6 cables (6 lead ribbons or 6 wire splitter cables - or a combination of both)
- Each button in the remote control operates one of the 6 cables connected to the radio receiver



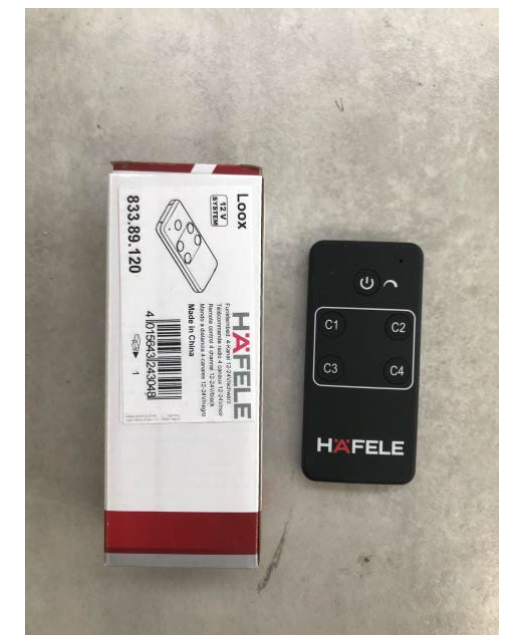
**REMOTE CONTROL**

100V - 240V AC to 12V DC LED Low Voltage Transformer. IP 67 Waterproof Converter Constant Voltage LED Driver for Lightings (30 Watts)



**6-WAY REMOTE RECEIVER**

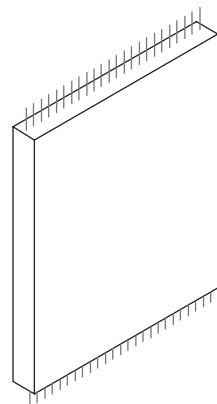
100V - 240V AC to 12V DC LED Low Voltage Transformer. IP 67 Waterproof Converter Constant Voltage LED Driver for Lightings (30 Watts)



# Power Transformer Requirements

**NOTES**

- Each lighting panel comes with its own 20w Power Supply
- More and/or larger power supplies may be required to create complex lighting arrangements.

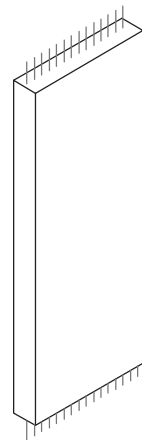


**lightPANEL**  
WIDTH:  
500MM [19-11/16"]

WATTS  
4.8

MAX NUMBER OF PANELS  
SUPPORTED BY ONE 20W  
POWER SUPPLY  
4

NUMBER OF LEAD  
RIBBONS  
2

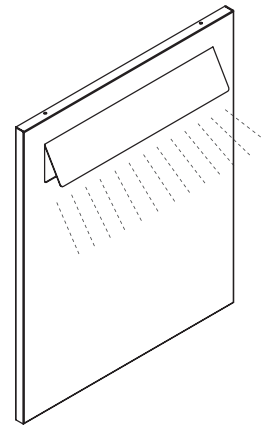


**lightPANEL**  
WIDTH:  
300MM [11-13/16"]

WATTS  
2.88

MAX NUMBER OF PANELS  
SUPPORTED BY ONE 20W  
POWER SUPPLY  
6

NUMBER OF LEAD  
RIBBONS  
2

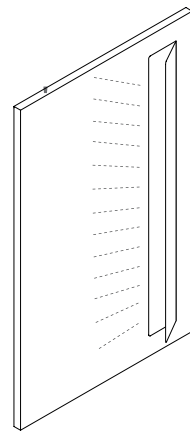


**lightPANEL > Post**  
HEIGHT OPTION:  
600MM [23-5/8"]

WATTS  
10

MAX NUMBER OF PANELS  
SUPPORTED BY ONE 20W  
POWER SUPPLY  
2

NUMBER OF LEAD  
RIBBONS  
1

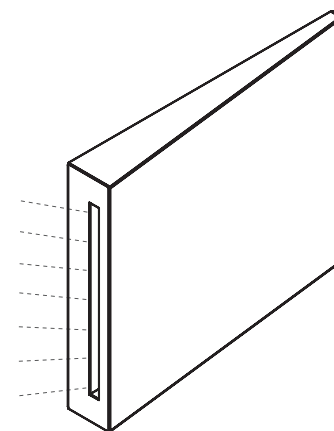


**lightPANEL > Post**  
WIDTH:  
HEIGHT: 800MM [31-1/2"]

WATTS  
10

MAX NUMBER OF PANELS  
SUPPORTED BY ONE 20W  
POWER SUPPLY  
2

NUMBER OF LEAD  
RIBBONS  
1

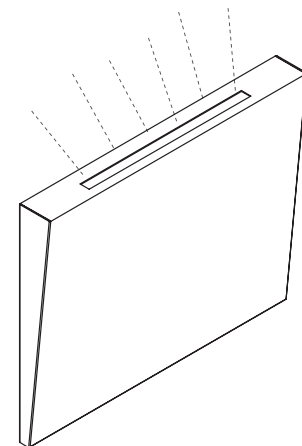


**lightPANEL > Tilt**

WATTS  
2.4

MAX NUMBER OF PANELS  
SUPPORTED BY ONE 20W  
POWER SUPPLY  
6

NUMBER OF LEAD  
RIBBONS  
1

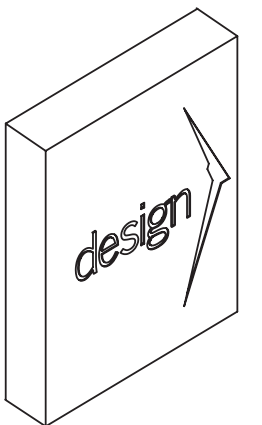


**lightPANEL > Tilt**

WATTS  
2.4

MAX NUMBER OF PANELS  
SUPPORTED BY ONE 20W  
POWER SUPPLY  
6

NUMBER OF LEAD  
RIBBONS  
1



**lightPANEL > Logo**  
WIDTH:  
500MM [19-11/16"]

WATTS  
30

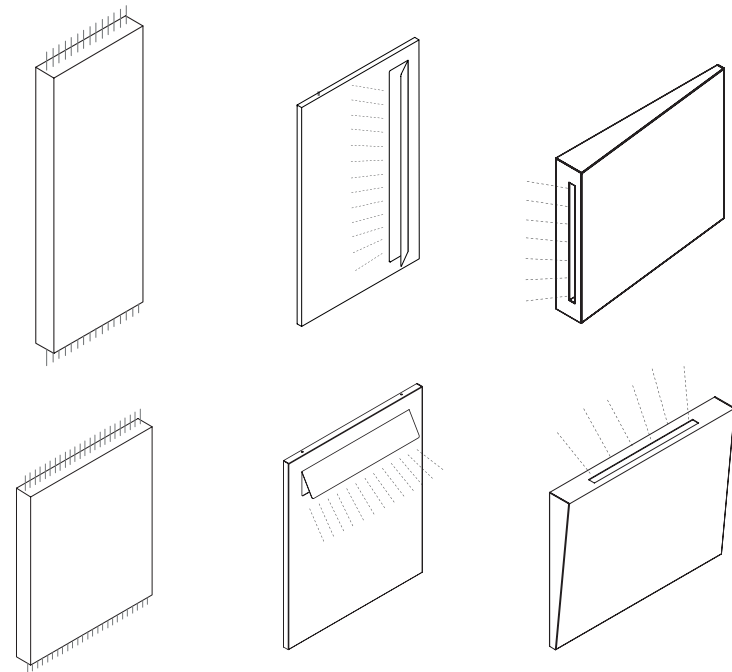
MAX NUMBER OF PANELS  
SUPPORTED BY ONE 20W  
POWER SUPPLY  
40W POWER SUPPLY  
REQUIRED

NUMBER OF LEAD  
RIBBONS  
1

# Lighting Panel Options

## LIGHT PANELS

Fixed LED light panel with diffused LED lights connected via low voltage connections. See varying design options



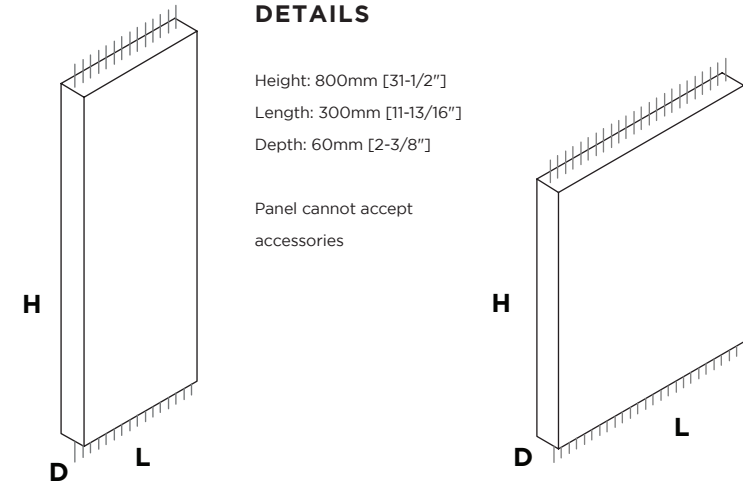
## FINISH OPTIONS:

51 STIPPLED WHITE MTRO-51-PCV	70 STIPPLED BLACK MTRO-70-PCV	12 STIPPLED GRAPHITE MTRO-12-PVC	66 STIPPLED GREEN MTRO-66-PCV	67 STIPPLED LIGHT BLUE MTRO-67-PCV	68 STIPPLED TAUPE MTRO-68-PCV
16 STIPPLE TITANIUM MTRO-16-PCV	19 STIPPLED COPPER MTRO-16-PCV	20 STIPPLED BRASS MTRO-20-PCV	13 PEWTER [AGED LIQUID VARNISH]	14 BRONZE [AGED LIQUID VARNISH]	15 COPPER [AGED LIQUID VARNISH]

# lightPANEL

CY--

Fixed LED light panel with diffused light from the top and bottom of the panel.



**DETAILS**

Height: 800mm [31-1/2"]  
 Length: 300mm [11-13/16"]  
 Depth: 60mm [2-3/8"]

Panel cannot accept accessories

**DETAILS**

Height: 600mm [23-5/8"]  
 Length: 500mm [19-11/16"]  
 Depth: 60mm [2-3/8"]

Panel cannot accept accessories

EXAMPLE SPECIFICATION CODE: **CY-60-51**

<b>CY</b>	<b>60</b>	<b>SELECT FINISH OPTION</b>
	<b>61</b>	
<b>LINE</b>	<b>TYPE</b>	<b>MODEL/ID</b>

**FINISH OPTIONS:**

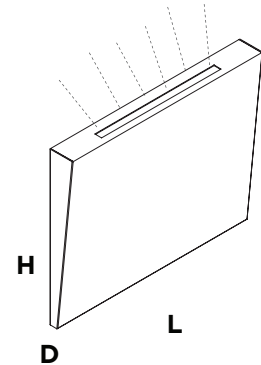
51 STIPPLED WHITE MTRO-51-PCV	70 STIPPLED BLACK MTRO-70-PCV	12 STIPPLED GRAPHITE MTRO-12-PVC	66 STIPPLED GREEN MTRO-66-PCV	67 STIPPLED LIGHT BLUE MTRO-67-PCV	68 STIPPLED TAUPE MTRO-68-PCV
16 STIPPLE TITANIUM MTRO-16-PCV	19 STIPPLED COPPER MTRO-16-PCV	20 STIPPLED BRASS MTRO-20-PCV	13 PEWTER [AGED LIQUID VARNISH]	14 BRONZE [AGED LIQUID VARNISH]	15 COPPER [AGED LIQUID VARNISH]



# lightPANEL > Tilt

CY--

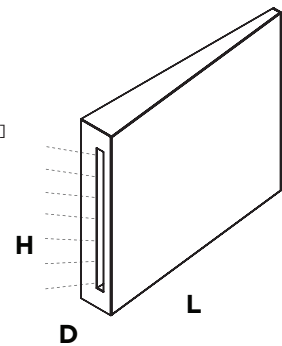
Fixed LED light panel that tapers in depth, with diffused light from the top and bottom of the panel.



**DETAILS**

Height: 400mm [15-3/4"]  
 Length: 500mm [19-11/16"]  
 Depth: 20mm [3/4"] to 60 mm [2-3/8"]

Light Options:  
 (82) No LED  
 (84) LED



**DETAILS**

Height: 400mm [15-3/4"]  
 Length: 500mm [19-11/16"]  
 Depth: 20mm [3/4"] to 60 mm [2-3/8"]

Light Options:  
 (81) No LED  
 (83) LED

EXAMPLE SPECIFICATION CODE: **CY-82-51**

<b>CY</b>	<b>SELECT LIGHT OPTION</b>	<b>SELECT FINISH OPTION</b>
<b>LINE</b>	<b>TYPE</b>	<b>MODEL/ID</b>

**FINISH OPTIONS:**

51 STIPPLED WHITE MTRO-51-PCV	70 STIPPLED BLACK MTRO-70-PCV	12 STIPPLED GRAPHITE MTRO-12-PVC	66 STIPPLED GREEN MTRO-66-PCV	67 STIPPLED LIGHT BLUE MTRO-67-PCV	68 STIPPLED TAUPE MTRO-68-PCV
16 STIPPLE TITANIUM MTRO-16-PCV	19 STIPPLED COPPER MTRO-16-PCV	20 STIPPLED BRASS MTRO-20-PCV	13 PEWTER [AGED LIQUID VARNISH]	14 BRONZE [AGED LIQUID VARNISH]	15 COPPER [AGED LIQUID VARNISH]

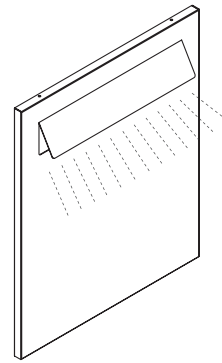




# lightPANEL > Post

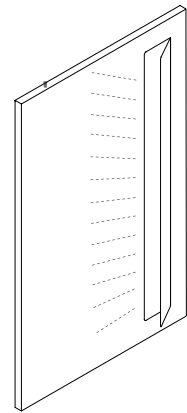
CY--

Fixed LED light panel with post opening angling light downwards or to the side.



**DETAILS**

Type: 69  
 Height: 600mm [23-5/8"]  
 Length: 500mm [19-11/16"]  
 Depth: 20mm [3/4"]



**DETAILS**

Type: 79  
 Height: 800mm [31-1/2"]  
 Length: 500mm [19-11/16"]  
 Depth: 20mm [3/4"]

EXAMPLE SPECIFICATION CODE: **CY-69-51**

<b>CY</b>	<b>69</b>	<b>SELECT FINISH OPTION</b>
	<b>79</b>	
<b>LINE</b>	<b>TYPE</b>	<b>MODEL/ID</b>

**FINISH OPTIONS:**

51 STIPPLED WHITE MTR0-51-PCV	70 STIPPLED BLACK MTR0-70-PCV	12 STIPPLED GRAPHITE MTR0-12-PVC	66 STIPPLED GREEN MTR0-66-PCV	67 STIPPLED LIGHT BLUE MTR0-67-PCV	68 STIPPLED TAUPE MTR0-68-PCV
16 STIPPLE TITANIUM MTR0-16-PCV	19 STIPPLED COPPER MTR0-16-PCV	20 STIPPLED BRASS MTR0-20-PCV	13 PEWTER [AGED LIQUID VARNISH]	14 BRONZE [AGED LIQUID VARNISH]	15 COPPER [AGED LIQUID VARNISH]



CARVART®