

INTEGRA > WM



Specifications

integraSOLID > WM (CB_INTGR-WM)

The integraSOLID > WM series sink module with Multiconsole > A is an all-in-one solution that incorporates all necessary commercial bathroom services into one unit that is easy to install and aesthetically superior to other sink units. This version of the Integra series is ideal for retrofits and renovations where new partitions are not being constructed or access to them is limited. The Multiconsole > A features a prefabricated unit with dryer, soap dispenser and faucet included in one housing that is easy to install and even easier in remove (secured with a tamper-proof fastener) and maintain. The minimal 3/8" thick shelf dispenses air, soap and water without additional fixtures to clutter the sink area. The LED back-lit mirror has LED indicators to show where the dryer, soap dispenser and faucet are below the shelf.

APPLICATIONS

Renovations, retrofits, historic buildings, commercial bathrooms in airports, offices, entertainment venues, sports clubs/facilities, gyms/spas, administrative buildings, hospitality.

CONFIGURATIONS

Single, double and triple basins available as standard. More positions as single unit available upon request.

FUNCTION

All-in-one sink basin, mirror and services (dryer, soap dispenser and faucet).

MATERIAL

Solid Surface Material

MULTICONSOLE > A DIMENSIONS

Exposed Thickness: 1/2"
Width: 2' - 2-5/16"
Height: 7-1/4"
Shelf Depth: 4-3/4"

SINK BASIN DIMENSIONS

Depth: 1' - 10-1/4"
Thickness @ front: 3-1/8"
Single Position Width: 27-9/16"
Double Position Width: 55-1/8"
Triple Position Width: 82-11/16"

MIRROR DIMENSIONS

Depth from finish wall:
Single Position Width: 27-9/16"
Double Position Width: 55-1/8"
Triple Position Width: 82-11/16"
Height: 37-7/16"

**Custom sizes available*

***Custom LED indicators available*

SINK BASIN MOUNTING

Wall-mounted system with all components mounted outside of the finish wall. Anchored from the front face of the wall, in-wall reinforcement is required (not supplied by CARVART).

MULTICONSOLE > A MOUNTING

Steel housing of Multiconsole > A must be mounted to the rear side of the finished partition. Exposed portion of Multiconsole > A unit to be installed from front after finish wall installation is complete.

MIRROR MOUNTING

CARVART supplies Z-Clips to be mounted to finish wall behind mirror. Client responsible for providing adequate blocking to support full mirror weight after installed on Z-Clips.

SOAP OPTIONS

Standard soap refill options is tamper-proof cap at front of Multiconsole>A.

***Optional remote basin with 1.3 - 6.6 gal capacity*

VALUE-ADDED BENEFITS

- Surface-mounted configuration makes it ideal for retrofits
- Non-porous materials maintain hygienic environments
- Single, double and triple positions available
- Minimal look with blade-like shelf containing sink services
- System durability and long-term integrity
- Turnkey project services
- Steel carriers available for self-supported installation
- ADA-compliant and accessibility-sensitive products

UL LISTING

Certificate Number: 20171117-E493638
Report Ref.: E493638-20170929
Issue Date: 2017-November-17

Issued to: SOEMA srl
36 Via Paolo Soprani
62019 Recanati MC Italy

Certified Parts: Plumbing Accessories
Commercial Hand-washing and
drying unit/electronic multi-function
hand washing unit

Model No.: Multiconsole A

Standard for safety: UL 1951 Electronic Plumbing
Accessories CAN/CSA-C22.2 No. 68-09
Motor-Operated Appliances (Household and Commercial)
CSA C22.2 No. 14-13 Industrial Control

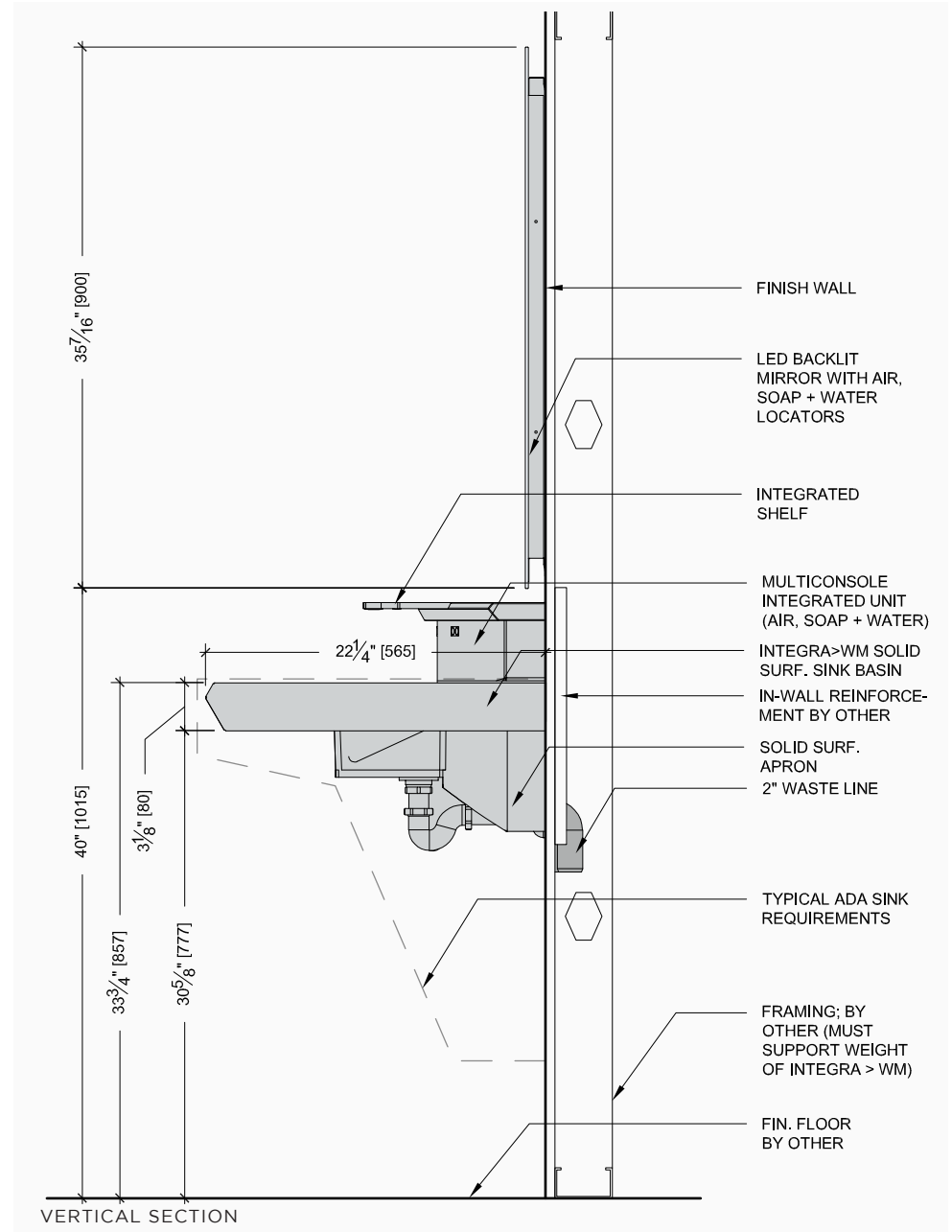
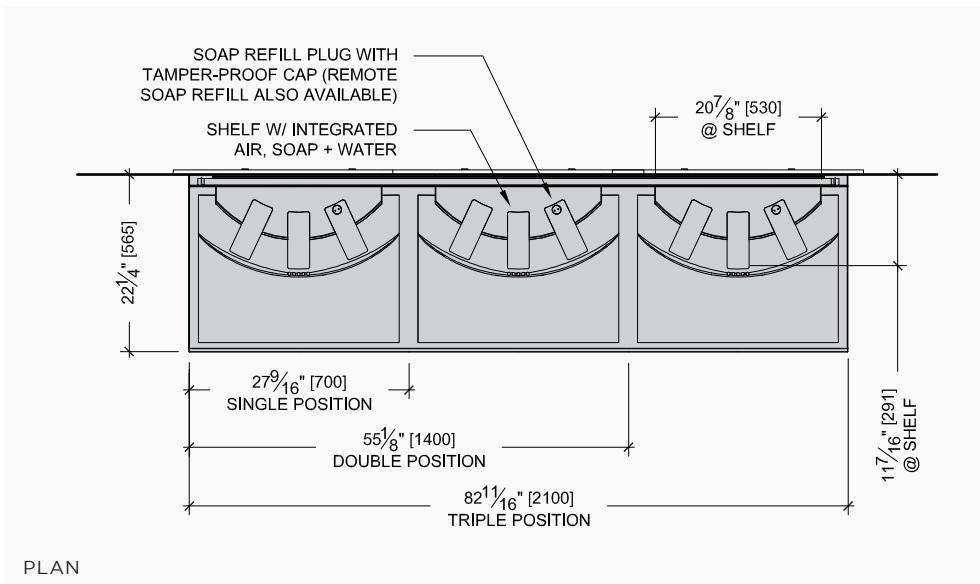
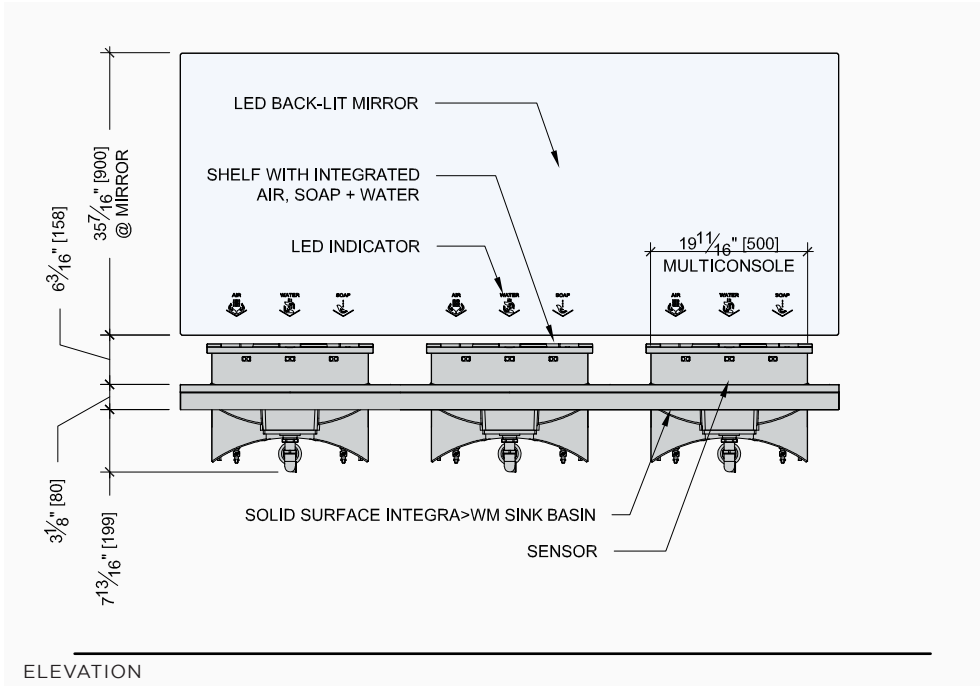
HARDWARE WARRANTY

1-year limited warranty.

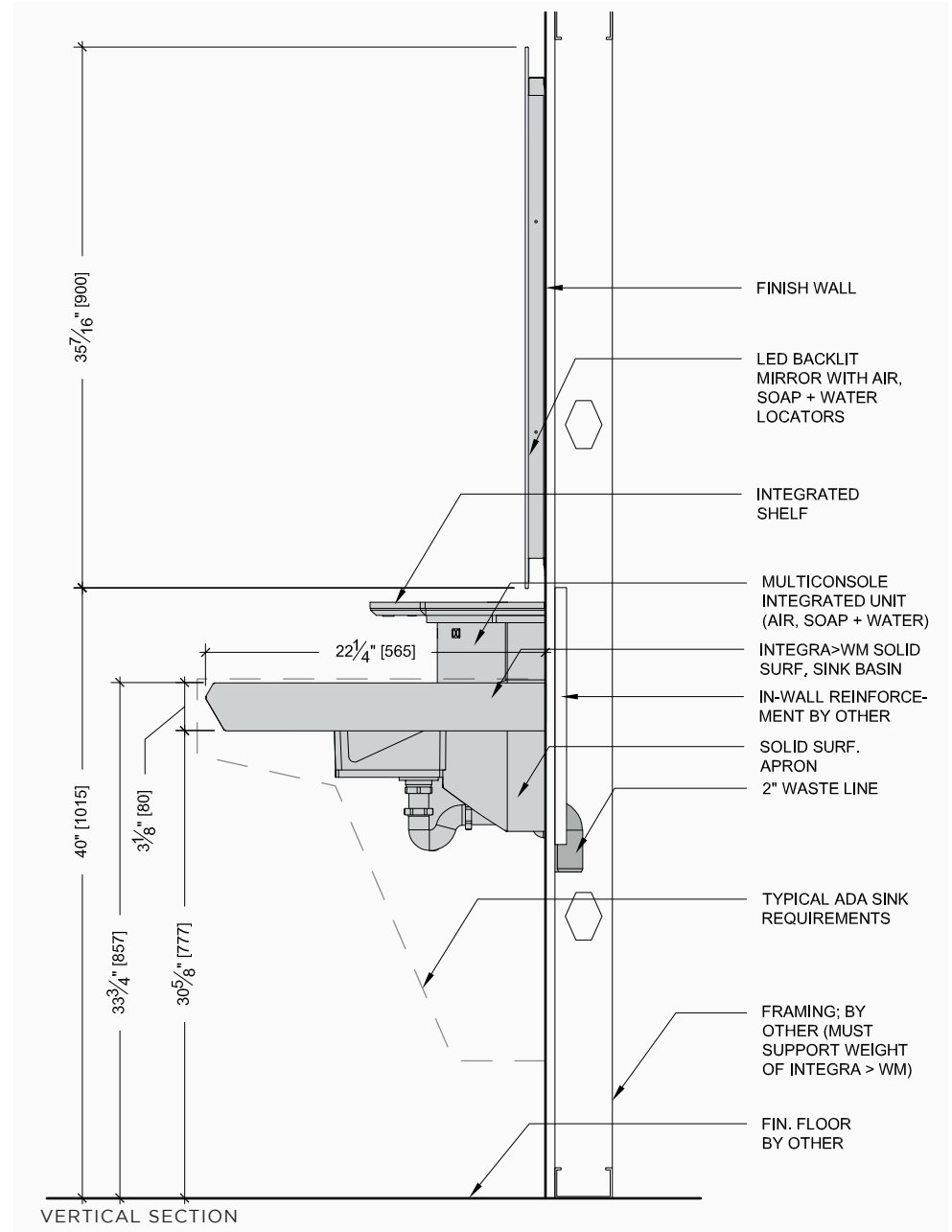
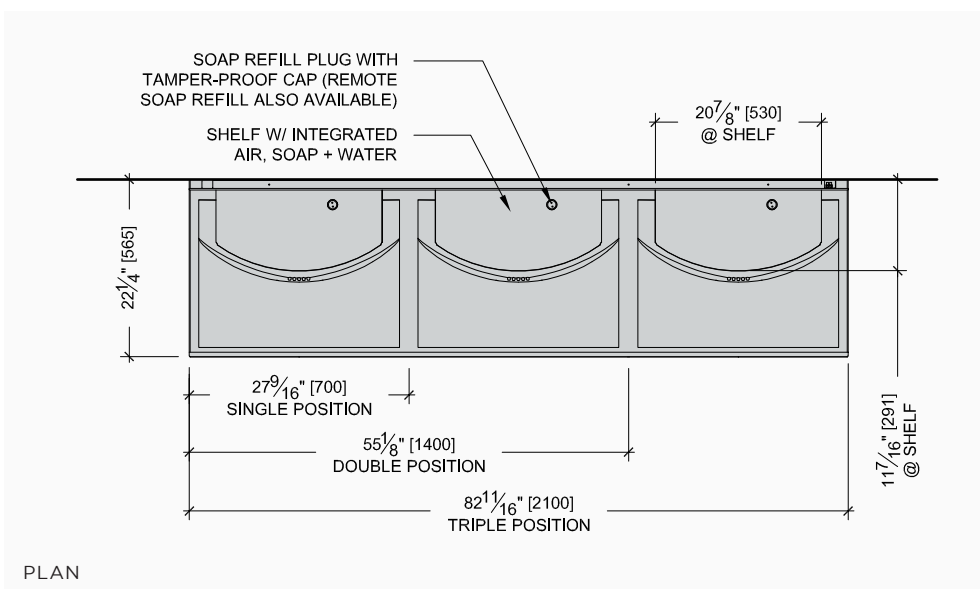
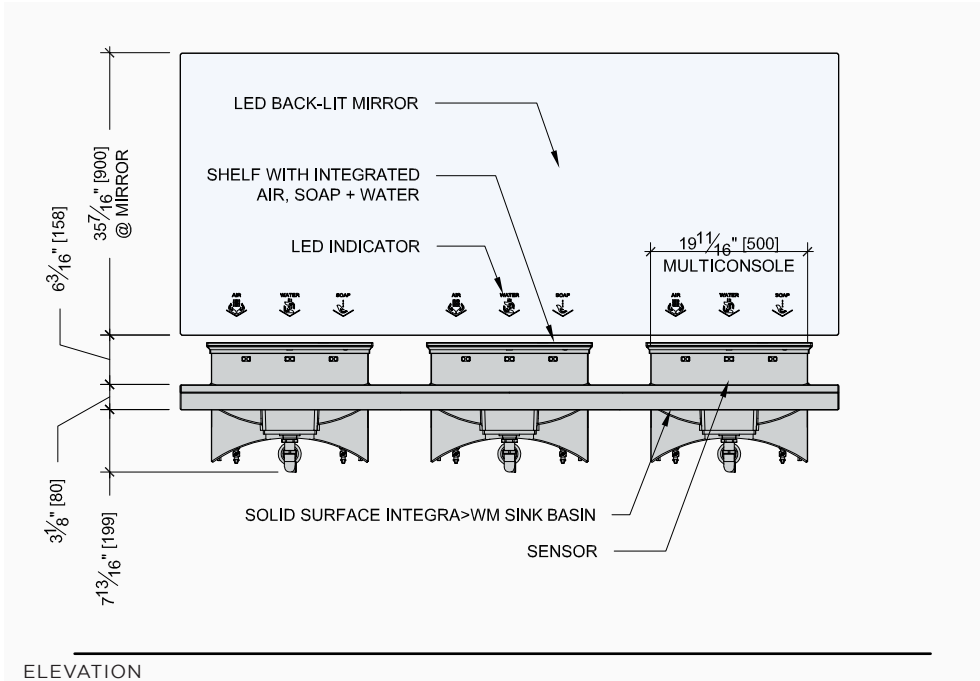
For more info, contact CARVART
Sales Advisory Team at quotes@carvart.com
or call us at 212 675 0030.



integraSOLID>WM (Exposed Fixtures)



integraSOLID>WM (Integrated Fixtures)



FIXTURE OPTIONS

GLASS FACE PLATE



POLISHED METAL FACE PLATE



SURFACE MOUNTED FIXTURES



CARVART®

BY

SOEMA®

Handcrafted  Technology