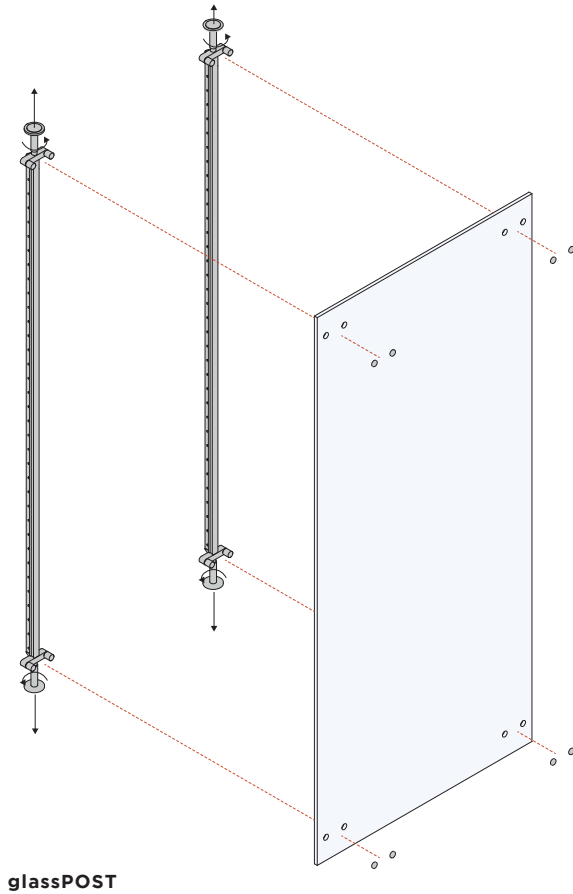


Features: Ease of install

DEMOUNTABLE + EASE OF INSTALL

The glassCUBE and glassPOST hardware allows for fast and efficient installation. With multiple mounting options and post-installation vertical adjustability of +/- 7/16", this system can easily accommodate various environments and conditions. No architectural anchoring is required for CARVART Portable products, making them a viable option for navigating around existing mechanical and plumbing systems.



INSTALLATION INSTRUCTIONS

1. Attach leg and top support to glassPOST extrusion.
2. glassPOST is tension fit. Line up leg and extrusion to desired are and rotate base and top.
3. Insert glass into posts and tighten with allen key.

