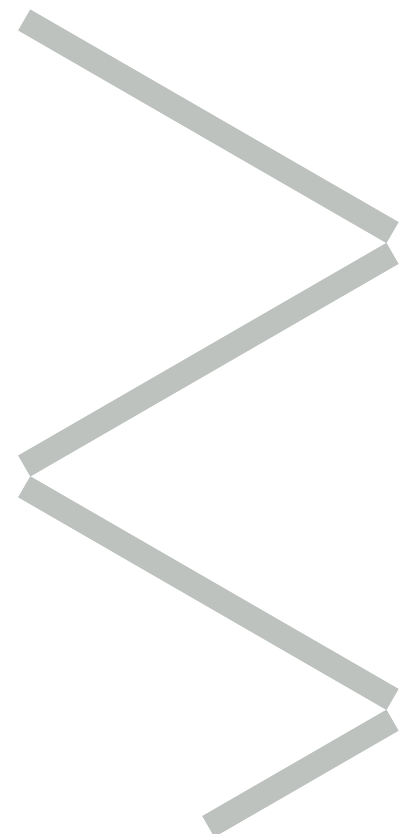


CARVART®

**MANUAL OF
INSTALLATION USE and
MAINTENANCE**

HARMONIC



TOOLS NEEDED FOR ASSEMBLY



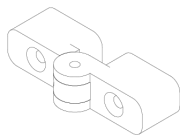
1. Hammer
2. Putty Knife
3. Pair of Horses (no. 2)
4. Hard rubber hammer
5. Pencil
6. 5 meter metric tape measure
7. Bubble level

8. Impact drill
9. 8mm Lowered open wrench
10. Screwdriver
11. Phillips screwdriver
12. 5mm T shaped Hex Wrench
13. 3mm Lowered L shaped Hex Wrench
14. Set of drill bits for drilling floor

15. Caliper
16. Nose Pliers
17. Laser spirit level
18. Masking Tape
19. Hex wrench set
20. Set of screwdriver bits
21. Vacuum cleaner

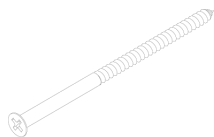
COMPONENT BOARD

COD. 400010 (burnished)
COD. 400010.1 (niploy)



Armonic side hinge
burnished black or niploy

COD. 01207.05090 (burnished)
COD. 01209.0560/52 (inox)



Chipboard screw TPS 5x90mm or
ASSY TPS 5x60/52mm

COD. 03801.03006



Grain VSTEI M3x6mm
conical tip

COD. 009010.201



Hinge thickness
6x12x0.1 mm

COD. 009010.202



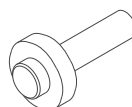
Hinge thickness
6x12x0.2 mm

COD. 400008C



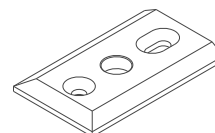
Calibrated hinge
pin Ø4x16

COD. 400013



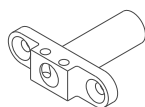
Armonic ground pivot
D=24xH=23 steel

COD. 400015



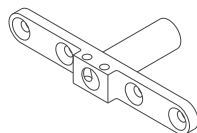
Black burnished 60x36x5mm
beveled floor plate

COD. 400016



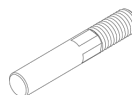
Carriage support pin
54mm initial module

COD. 400017



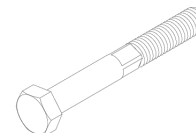
Carriage support pin
104mm standard module

COD. 400014



Sup. hinge pin D=90mm
black zin. for initial module

COD. 400023



Carriage pin 41mm
standard module

COD. 164010.02



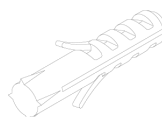
Trolley Ø40mm

COD. 05106 (nera) COD.
05106.1032 (nichel)



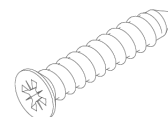
Recessed handle 75x32mm black or
polished sat. nickel finish

COD. 04202.0636



Zebra plugs 6x35mm

COD. 01207.40045



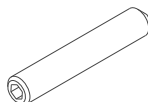
TPS screw 4x45mm
galvanized

COD. 03801.04008



VSTEI grain M4x8mm
tapered tip DIN 914

COD. 03801.06050



Grain with ISO4027 45H (GR)
E13 M6x50mm tapered tip

COD. 400027

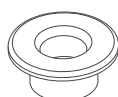


Lock kit for
sliding doors



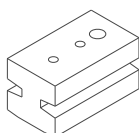
Ground pin
20x20x153mm

COD. 92398.2



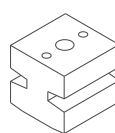
Floor compass

COD. 400012



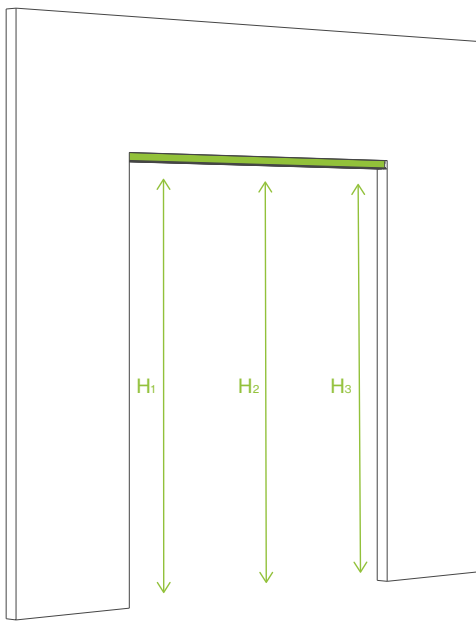
Upper pin stop
39x41x72mm PVC black

COD. 400012.1

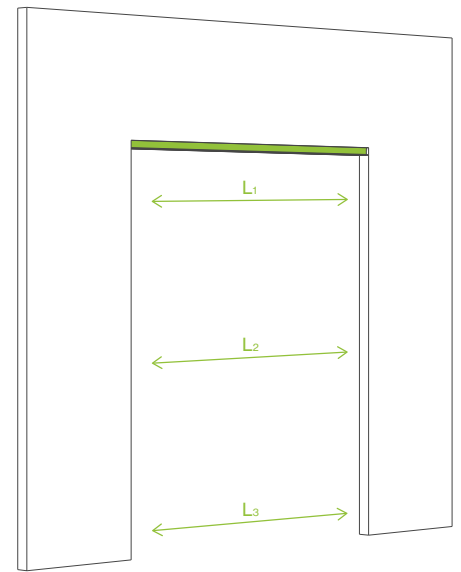


Upper stop 39x41x42mm
Black PVC

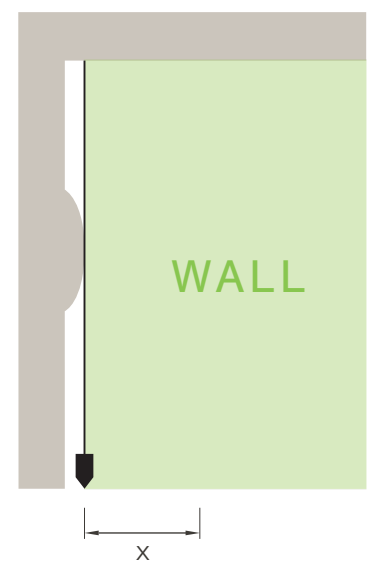
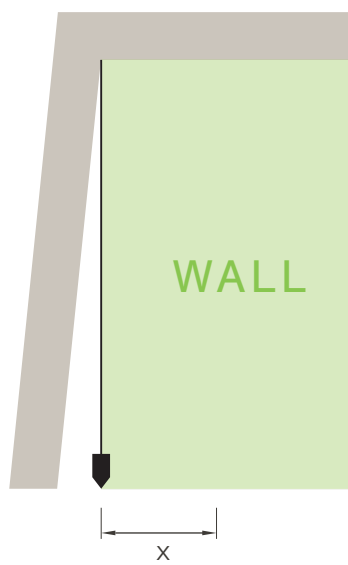
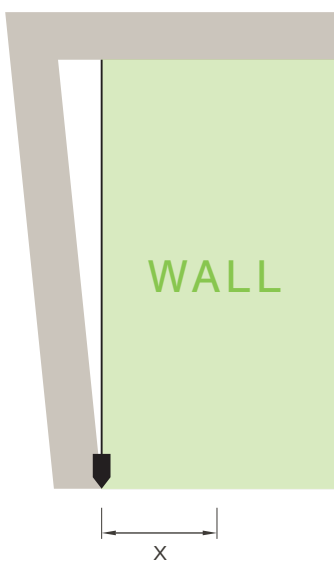
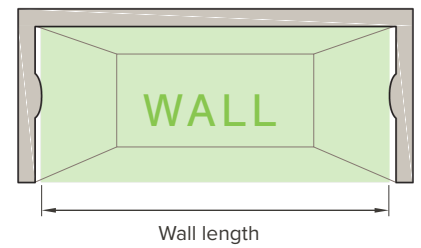
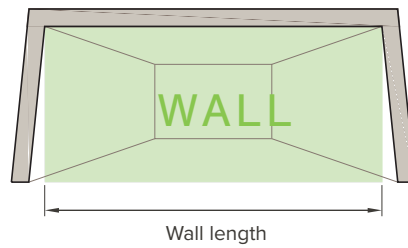
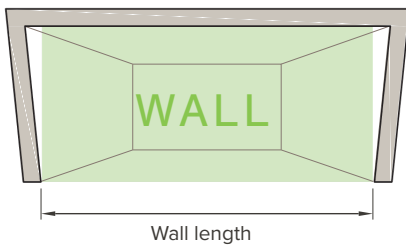
INITIAL CHECK



Measure height/width of the gap and verify that they correspond with the design dimensions.

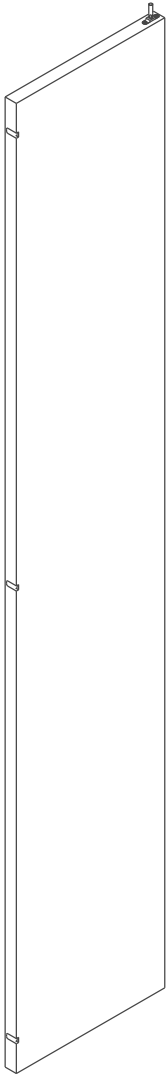


OUT-OF-LEAD CONTROL



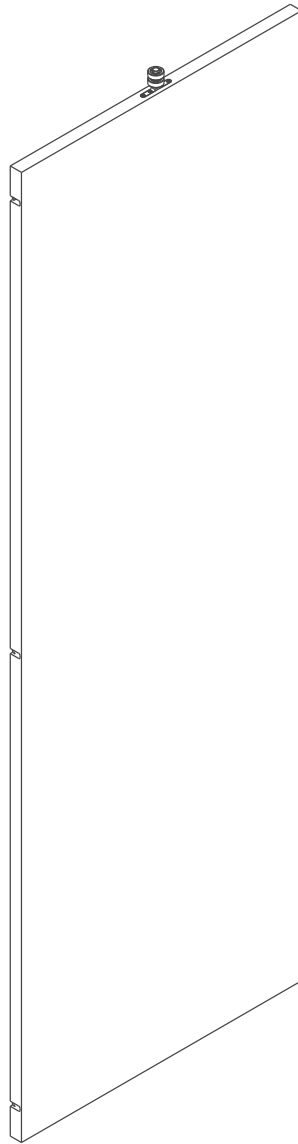
X = distance of the floor plate from the lead

TYPE OF MODULES



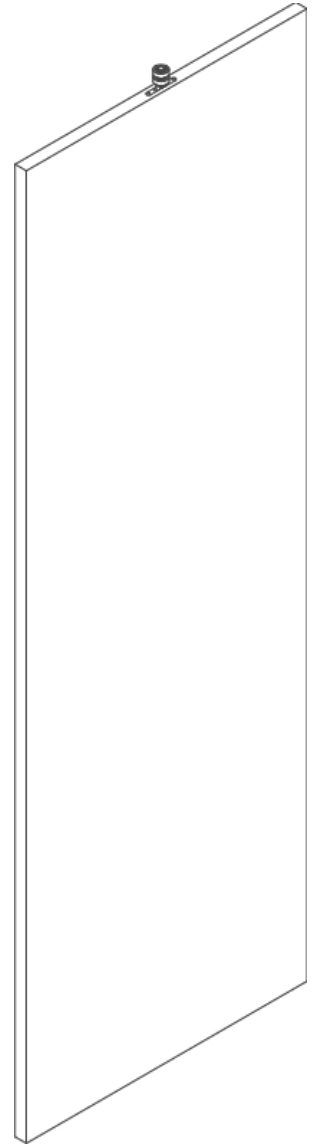
HALF MODULE

Ground and top pivot module, hinge slots on one side only.



STANDARD MODULE

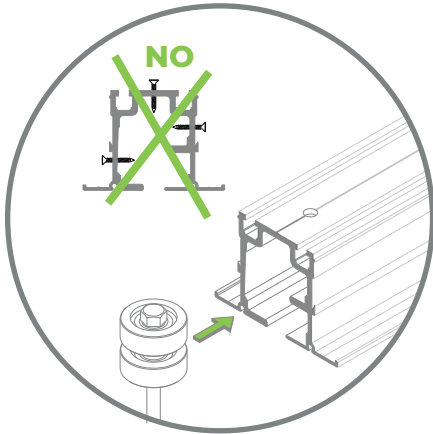
Module with upper carriage, hinge slots on both sides.



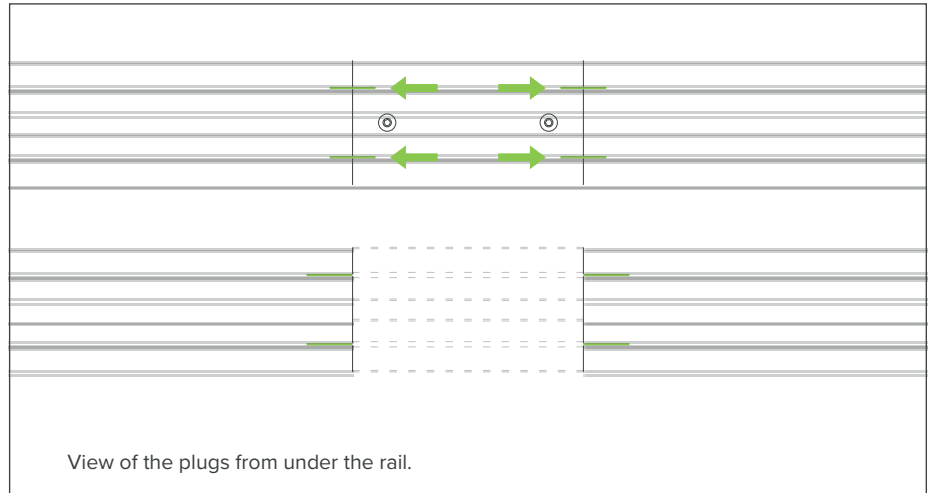
FINAL MODULE

Module with upper carriage, hinge slots on one side only.

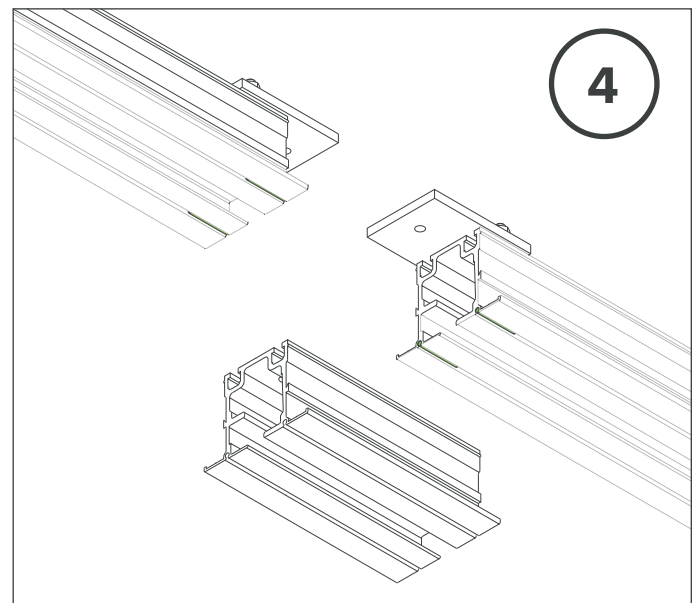
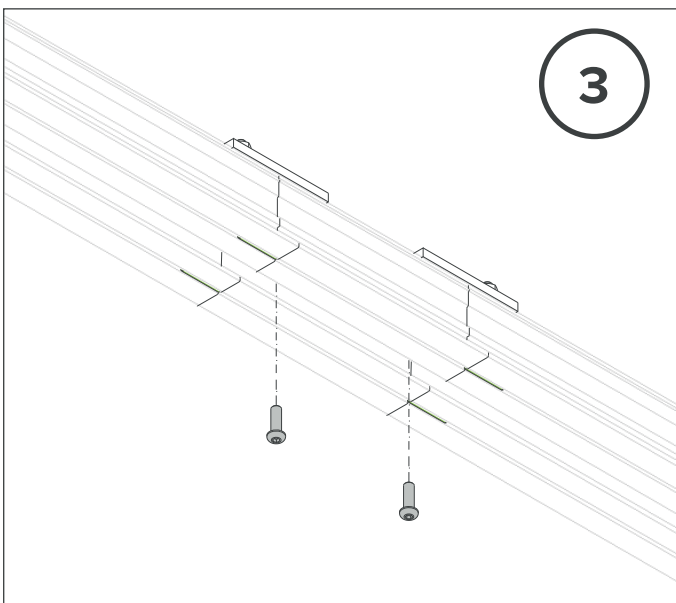
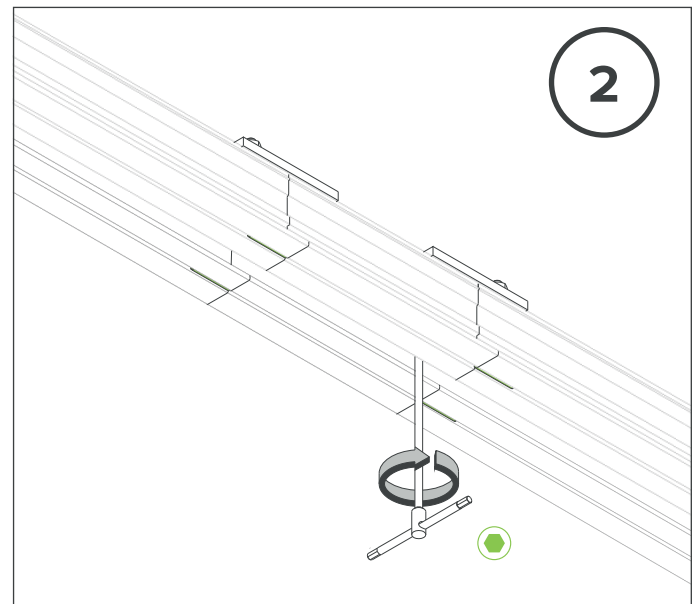
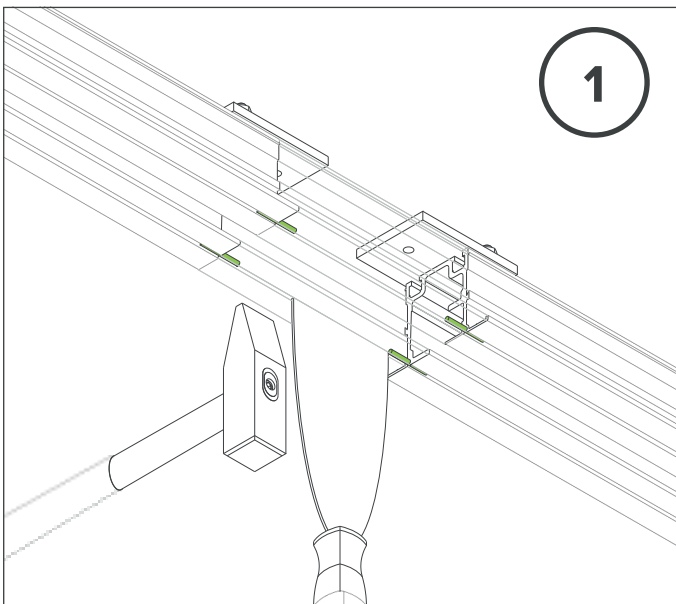
GUIDE CHECK AND REMOVAL OF THE REMOVABLE PIECE



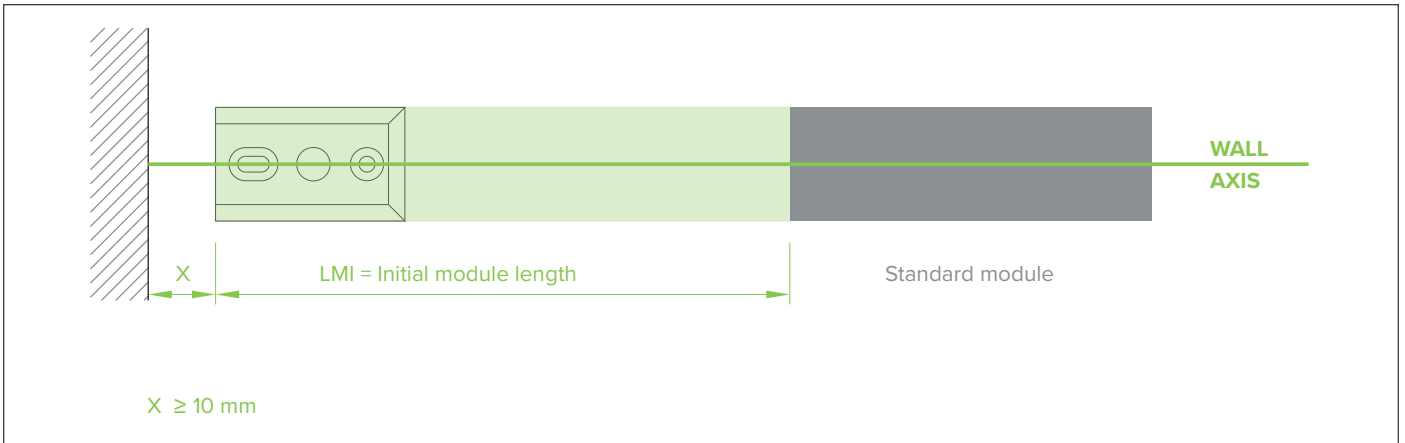
Check that the rail is clean, undamaged and/or obstructed



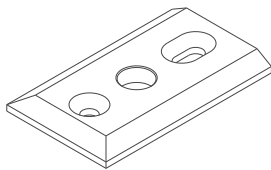
View of the plugs from under the rail.



FLOOR PLATE FIXING

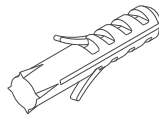


X 1



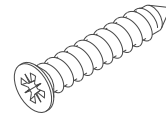
COD.
400015

SCREWS USED



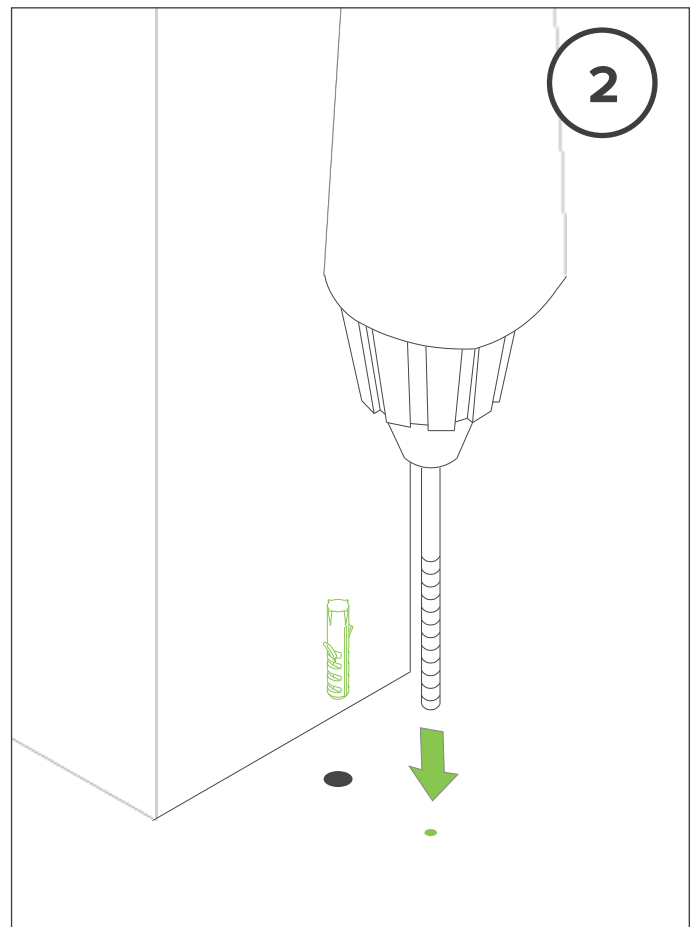
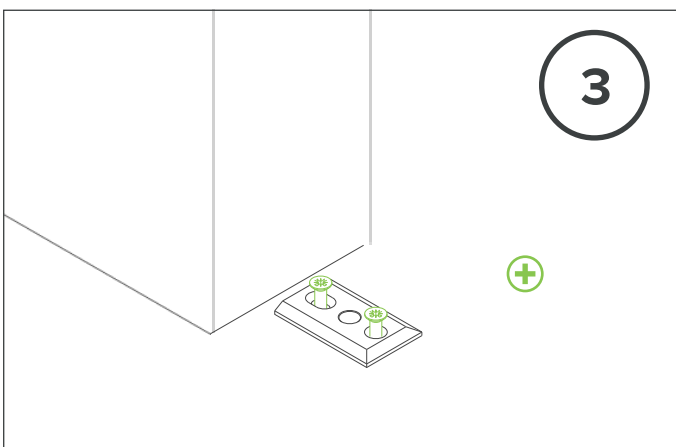
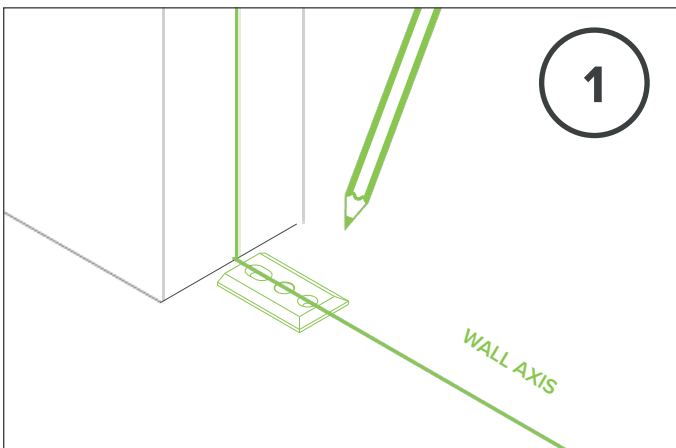
X 2

COD.
04202.0636

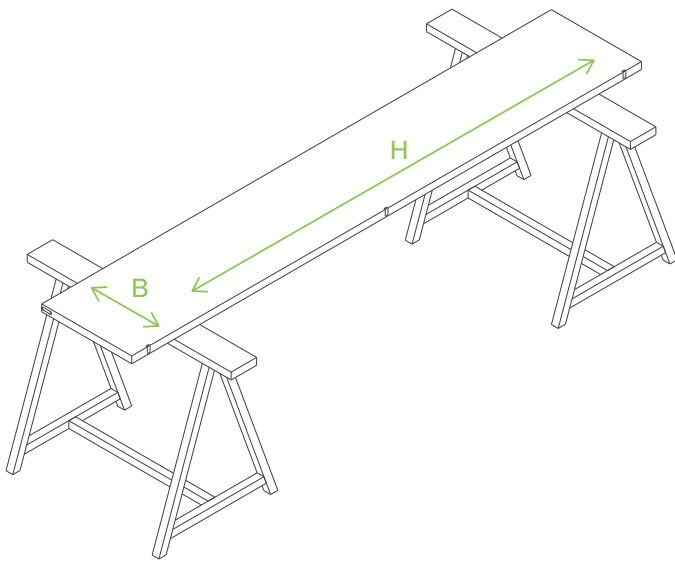


X 2

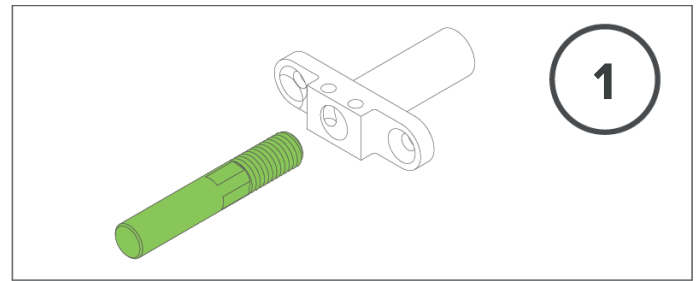
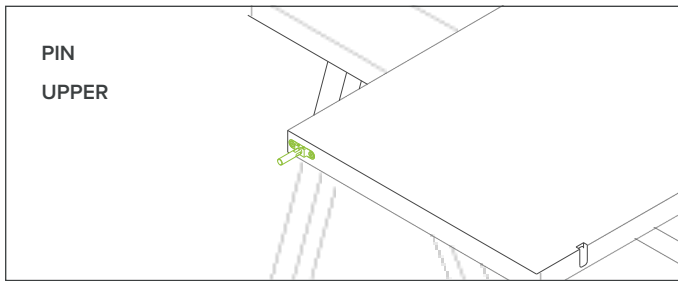
COD.
01001.55038



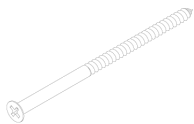
INITIAL MODULE



Measure the height (H) and base (B) of the module and verify that correspond with the design dimensions.



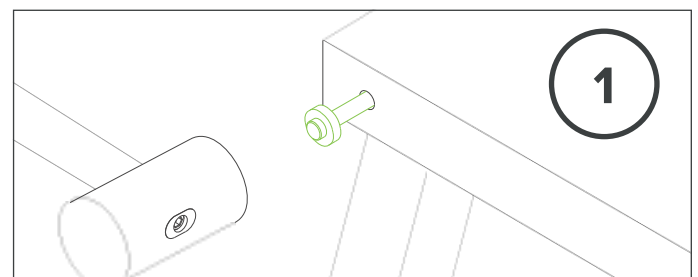
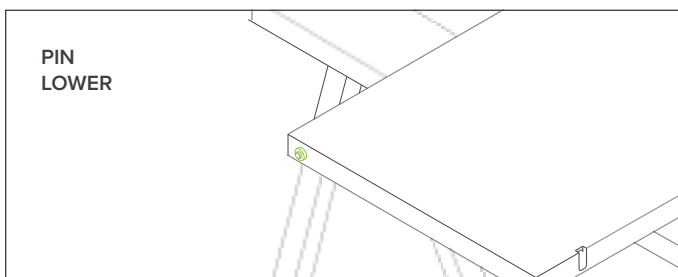
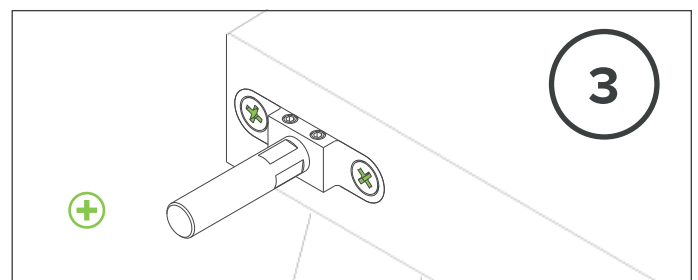
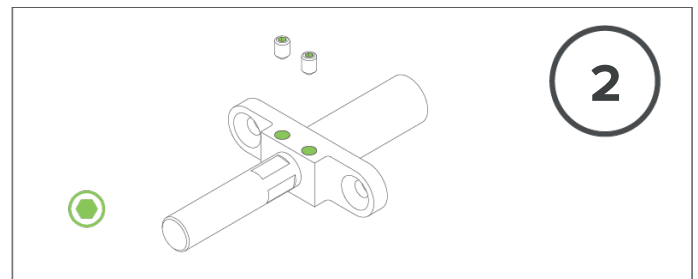
SCREWS USED



X 2
COD.
01207.05090



X 2
COD.
03801.04008

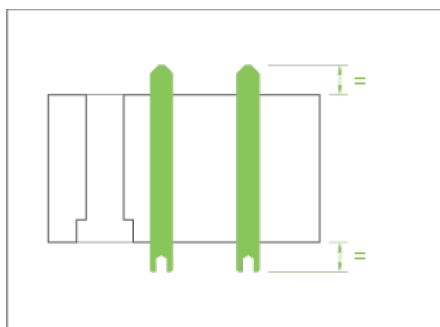
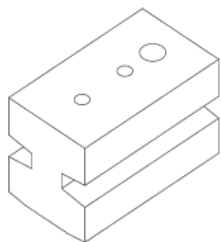


If not already installed on the module.

BLOCK ASSEMBLY AND FIRST MODULE

Insert both beads before mounting the first module.

X 1



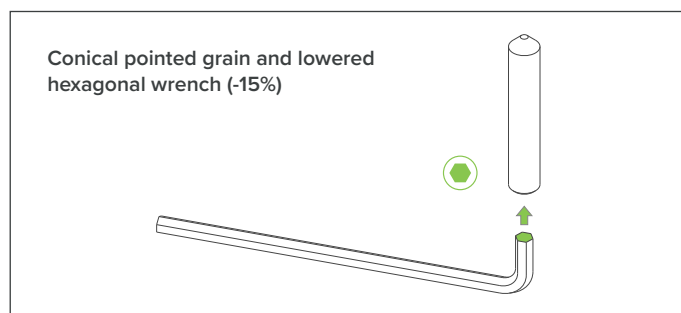
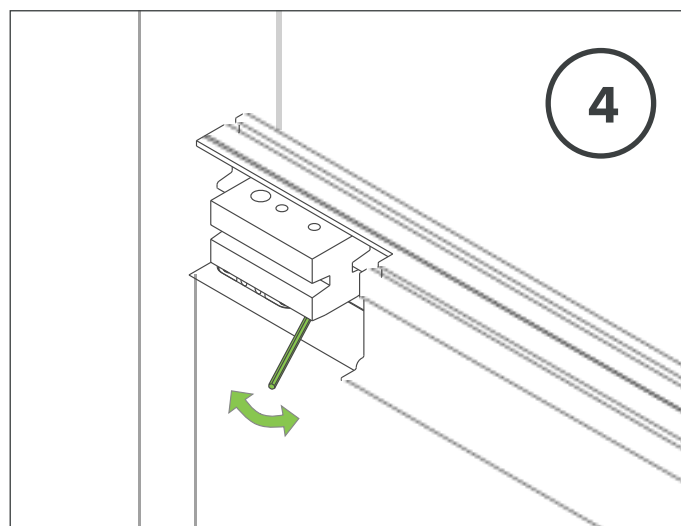
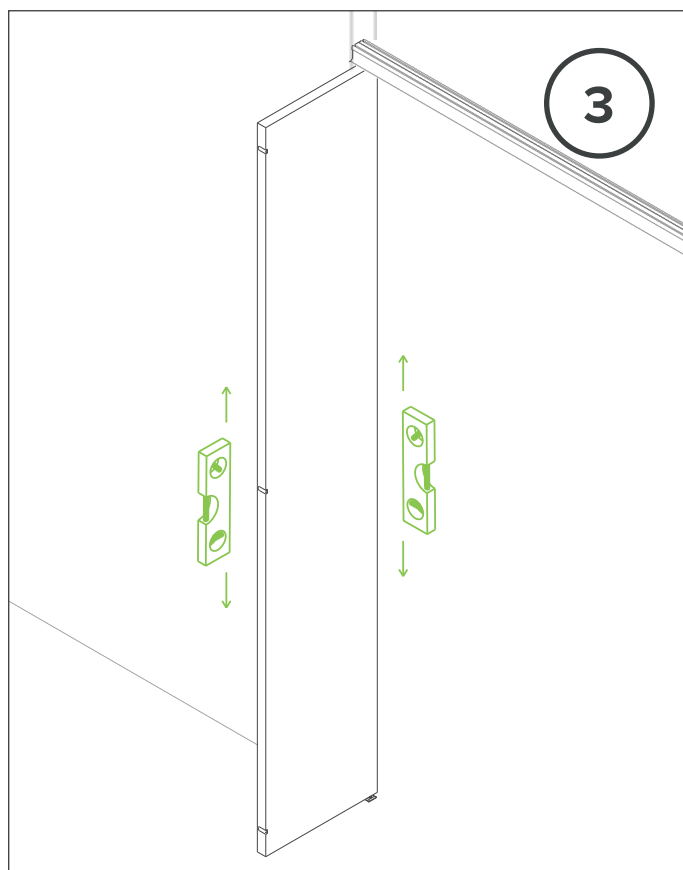
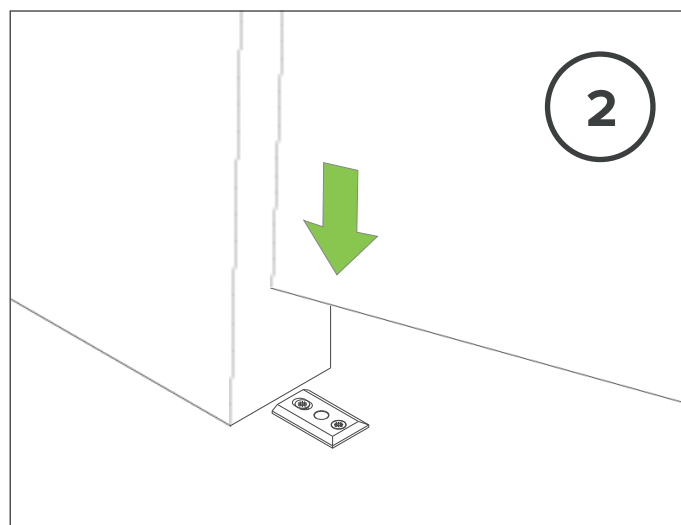
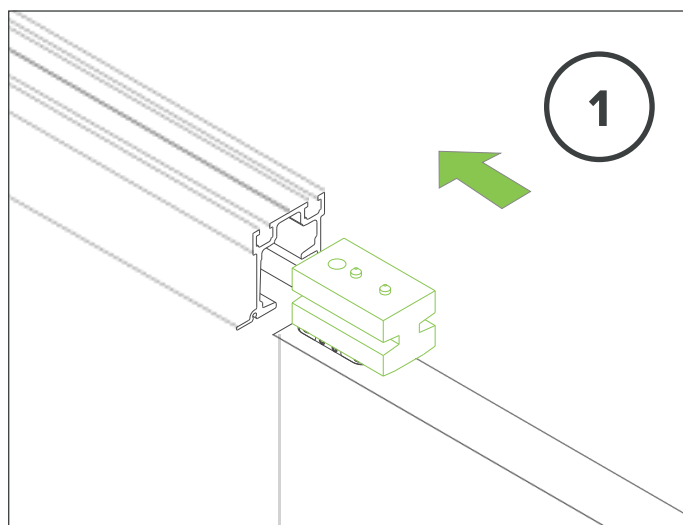
SCREWS USED

X 2



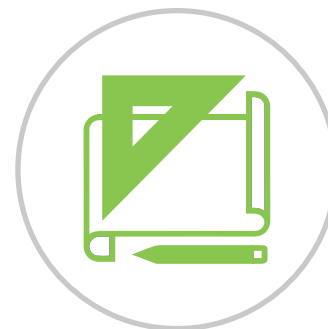
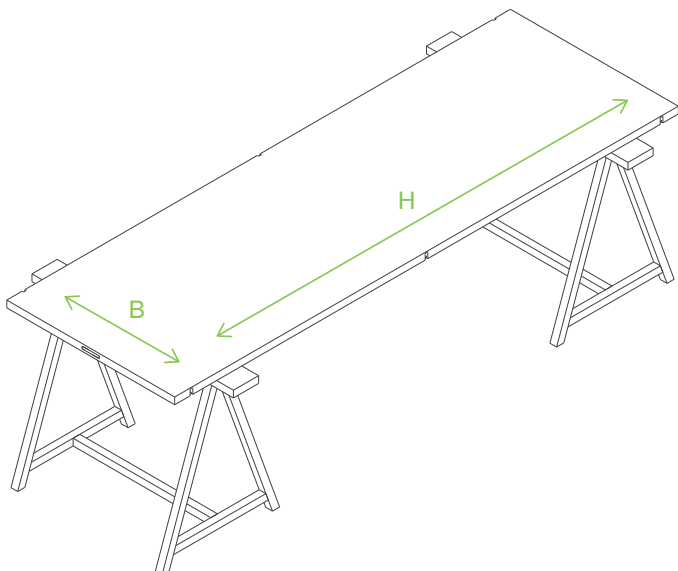
COD.
400012

COD.
03801.06050

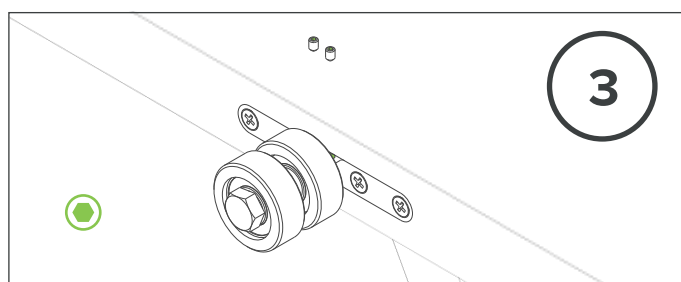
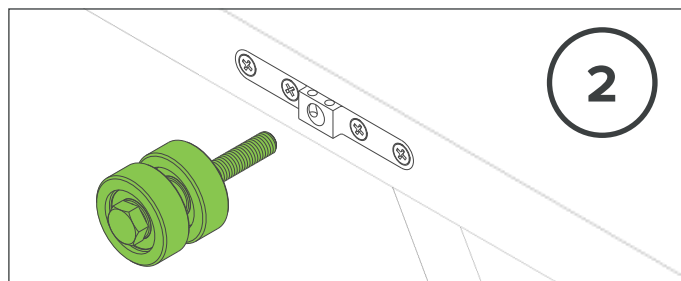
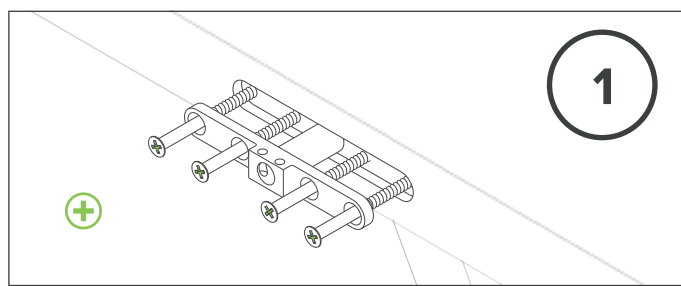
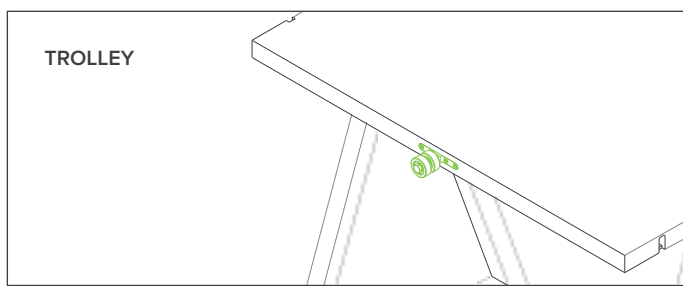


The form must be perpendicular before fixing the grains.

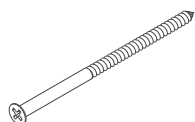
STANDARD MODULE



Measure the height (H) and base (B) of the module and verify that correspond with the design dimensions.



SCREWS USED



X 4

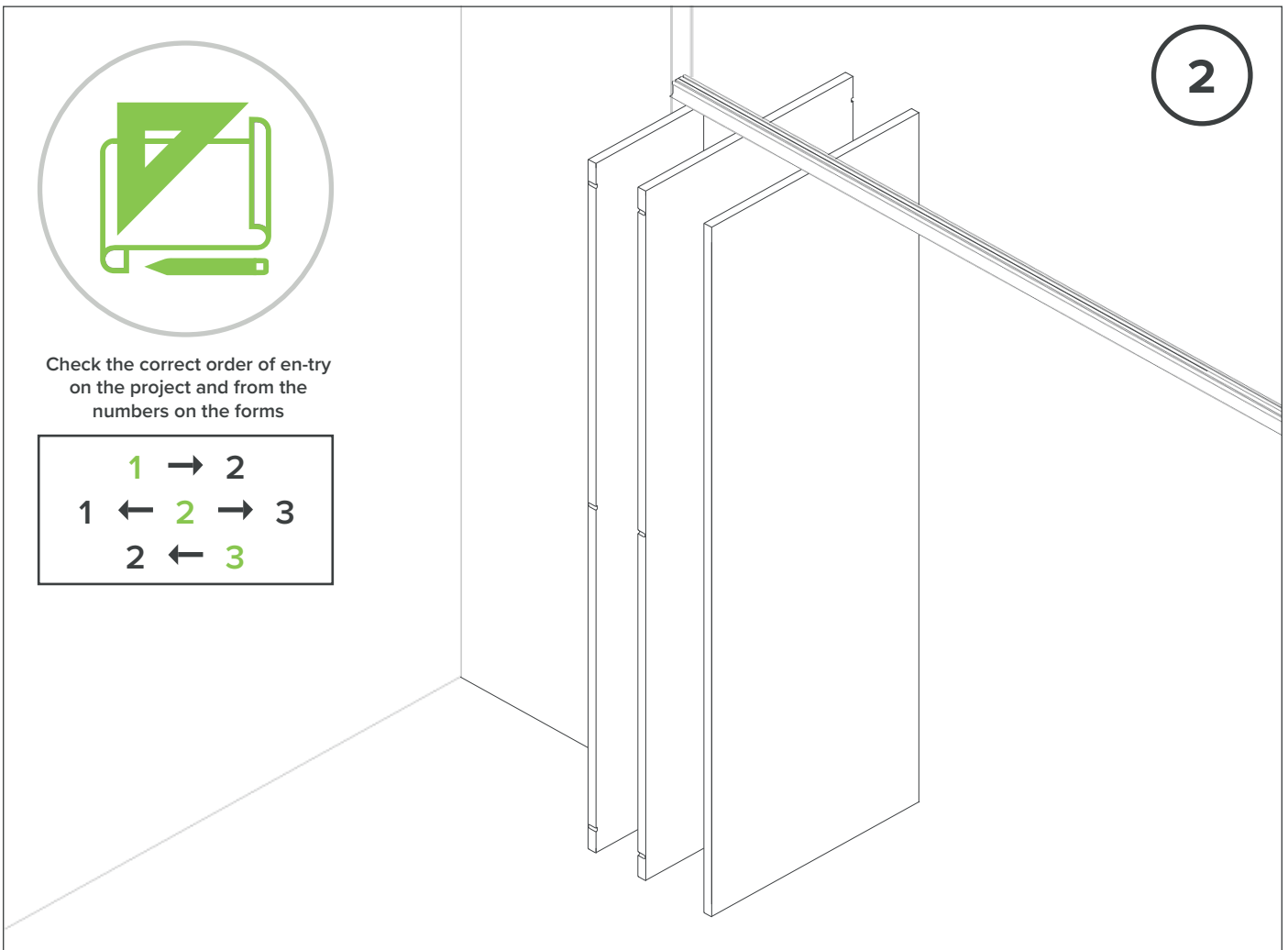
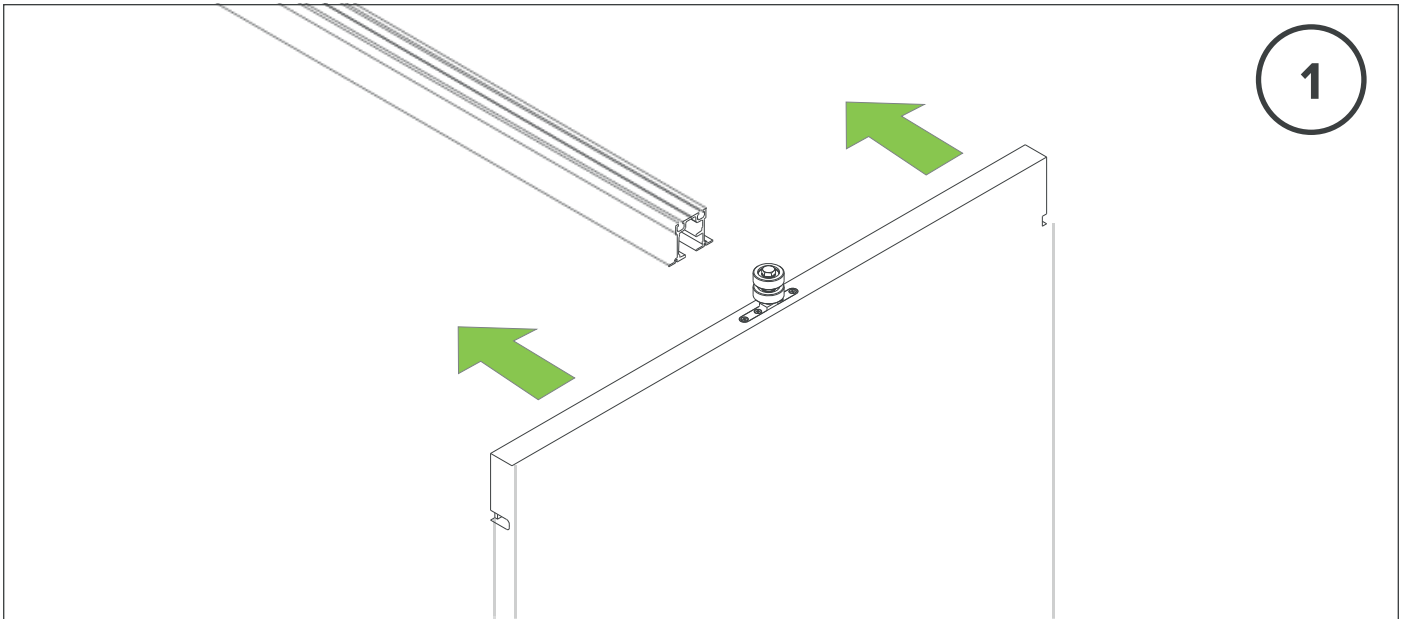
COD.
01207.05090



X 2

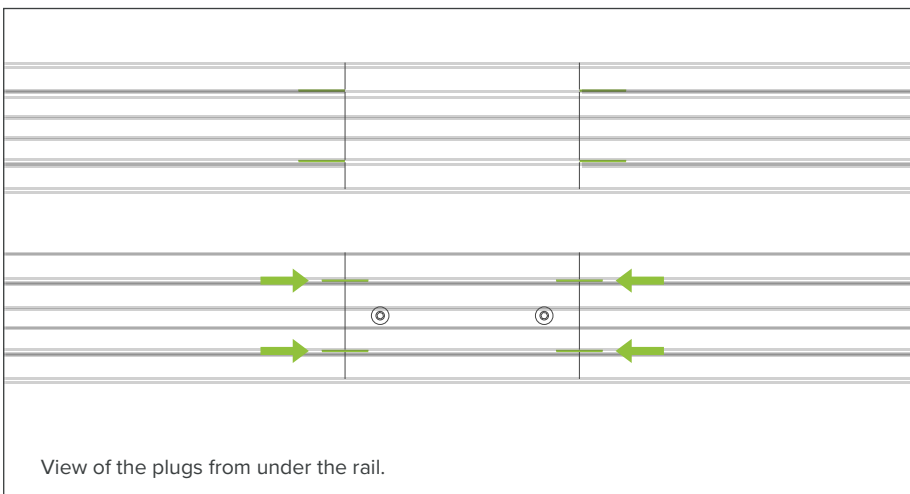
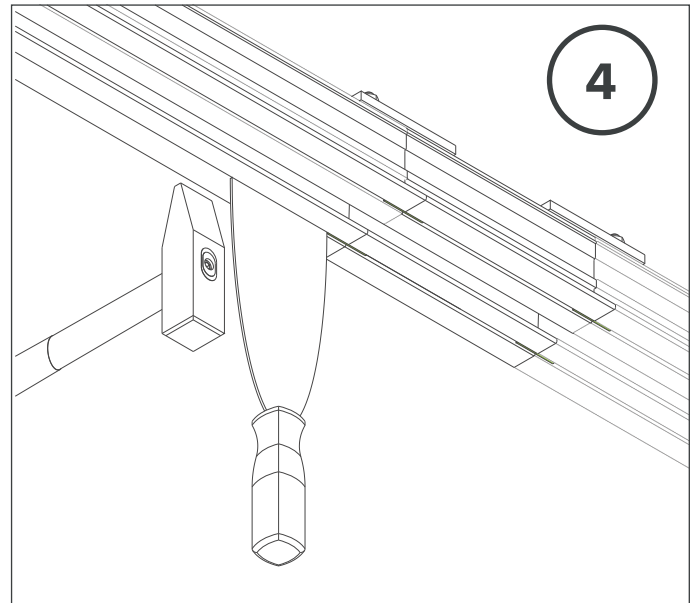
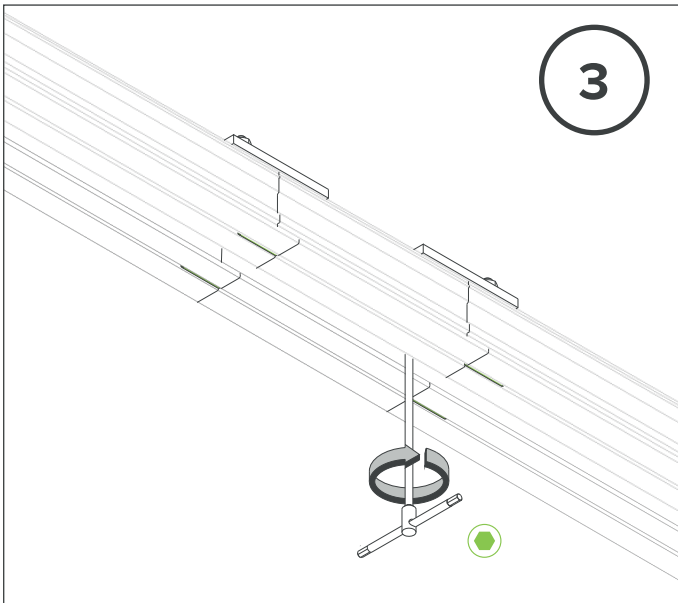
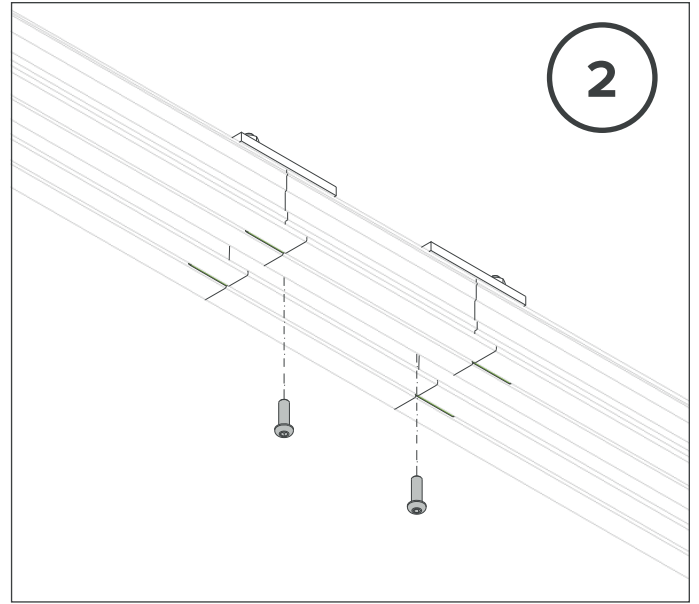
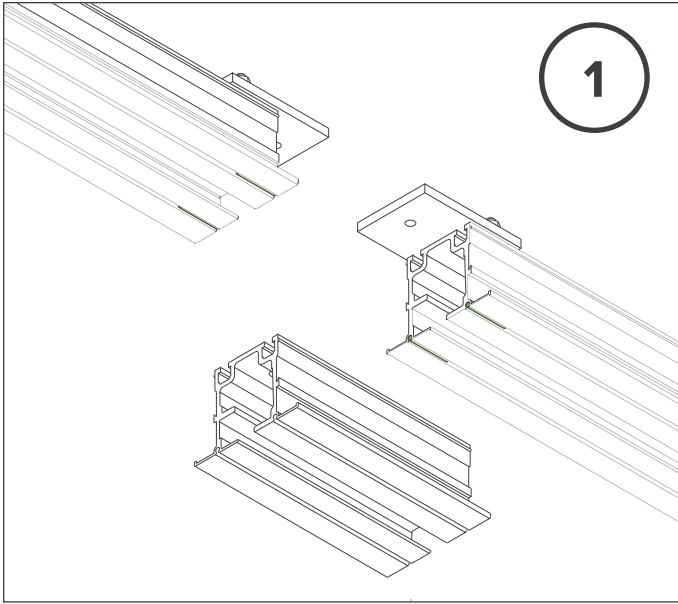
COD.
03801.04008

INSERTION OF STANDARD MODULE AND SUBSEQUENT

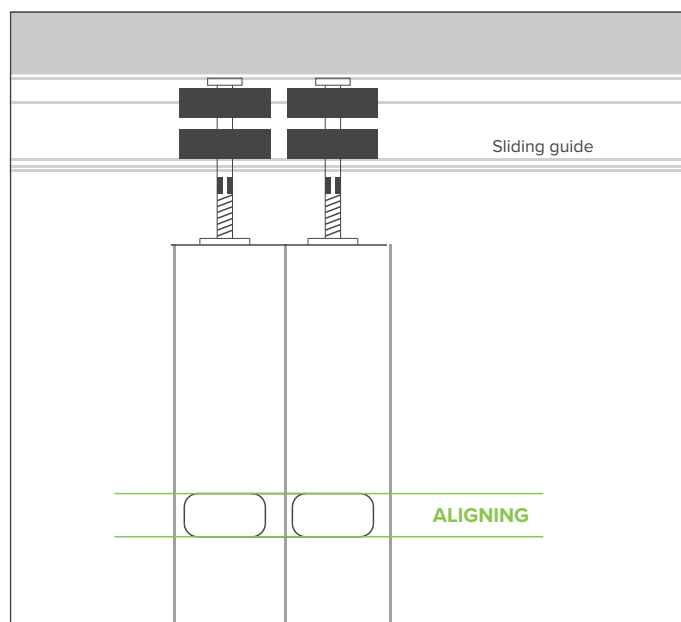
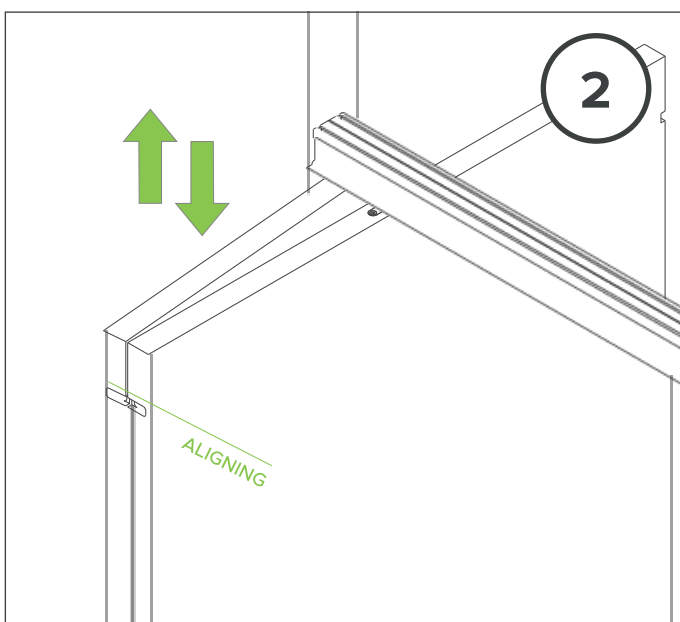
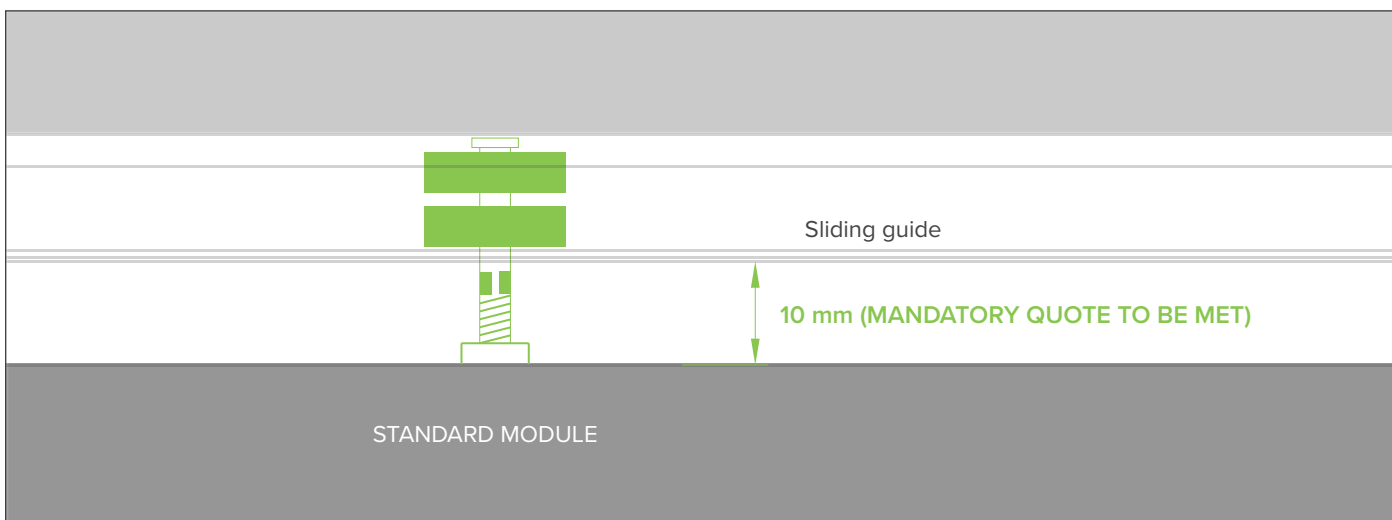
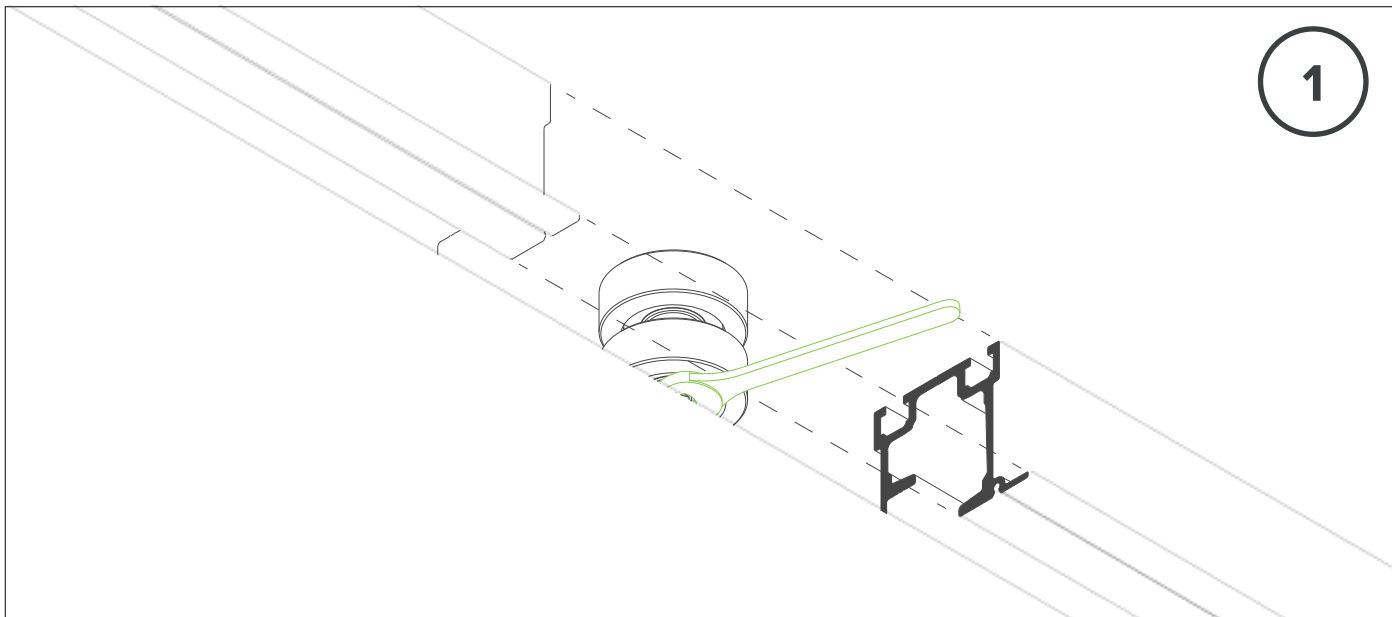


BEFORE INSERTING THE MODULES REMEMBER TO PROTECT THE FLOOR

REPOSITIONING THE DEMOUNTABLE

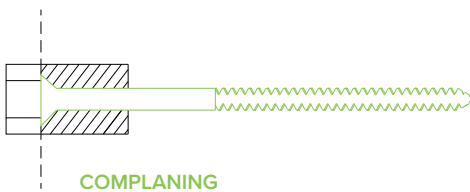
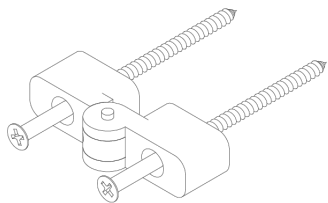


STANDARD AND SUBSEQUENT MODULE ASSEMBLY

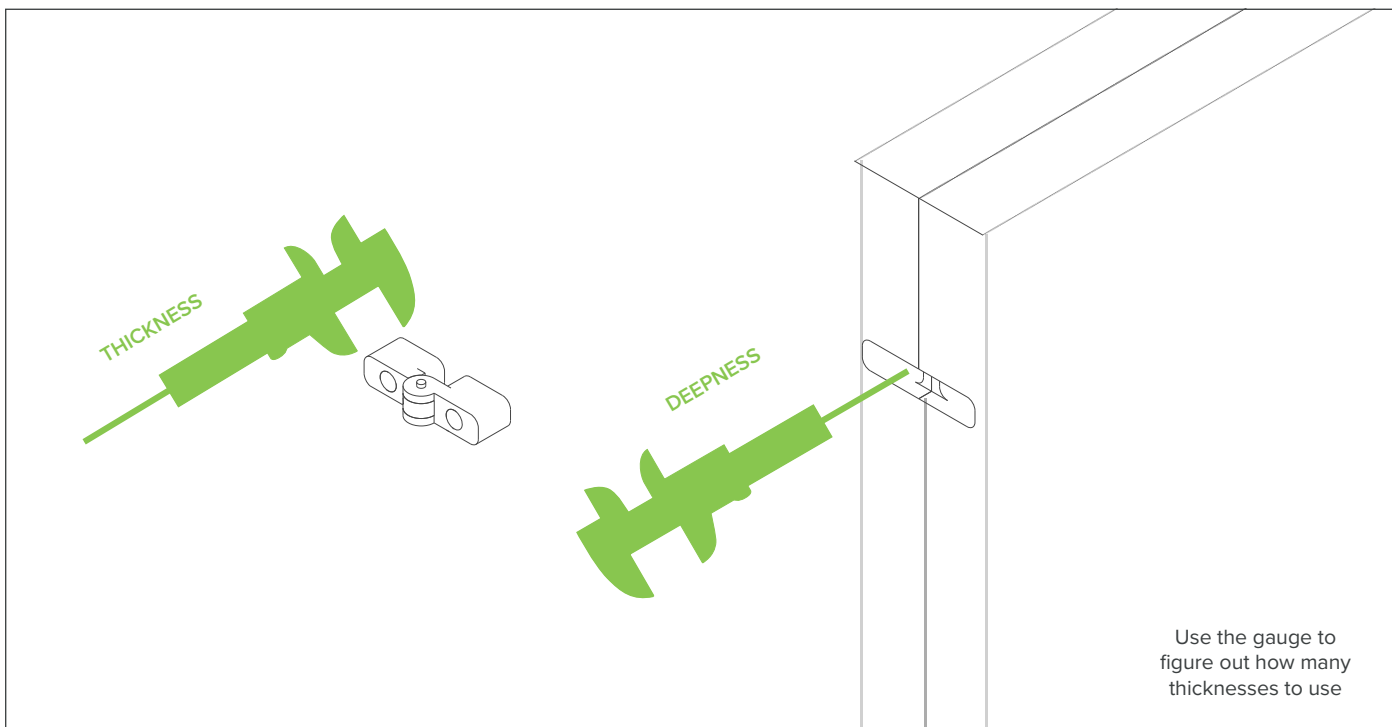
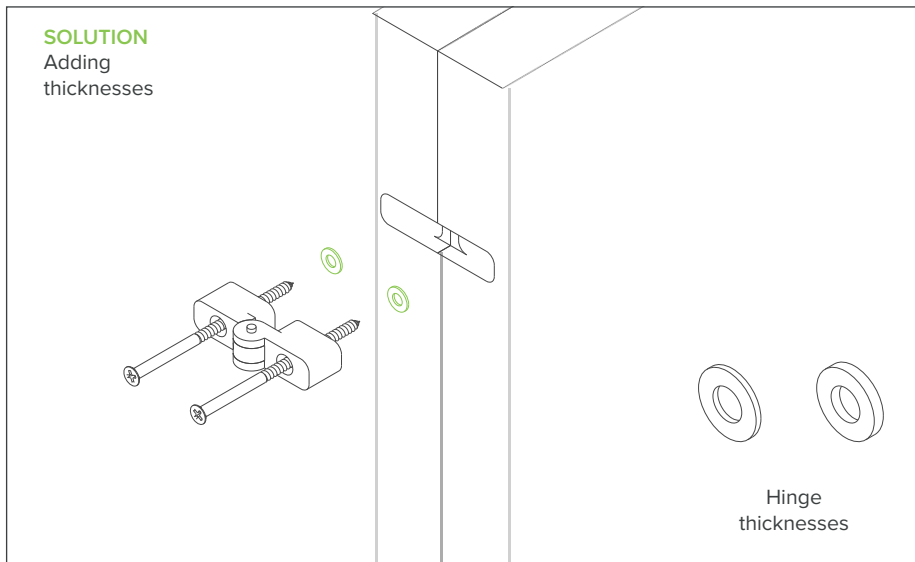
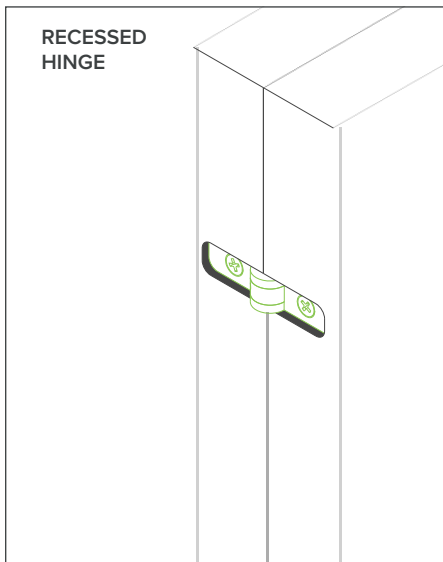


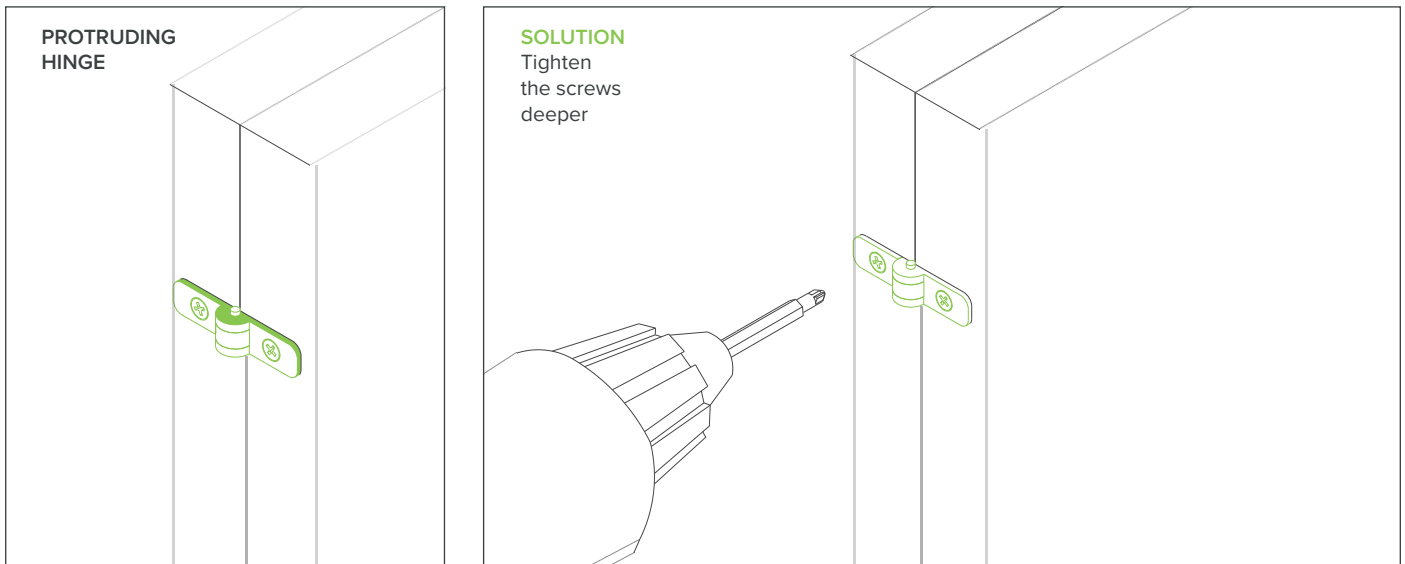
Follow the same procedure for installing the successful modules.

ASSEMBLY OF HINGES

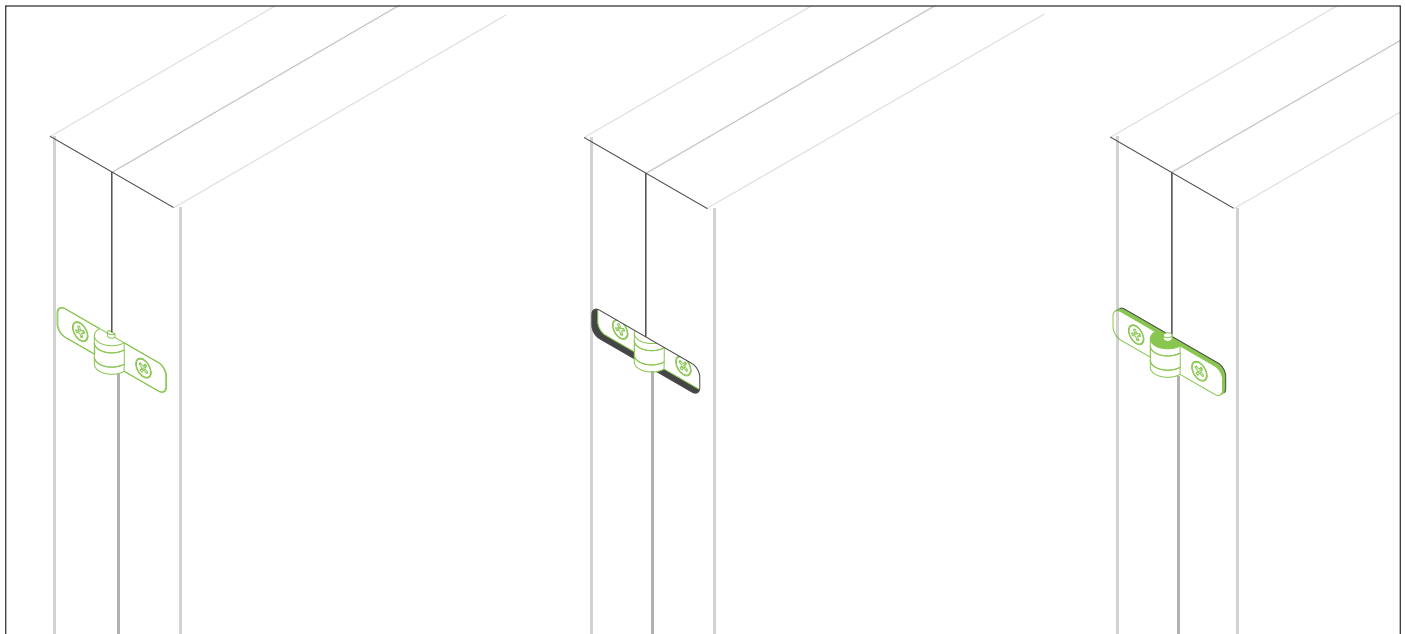


ATTENTION
the screw head must be perfectly flush with the hinge





CORRECT INSTALLATION OF HINGES



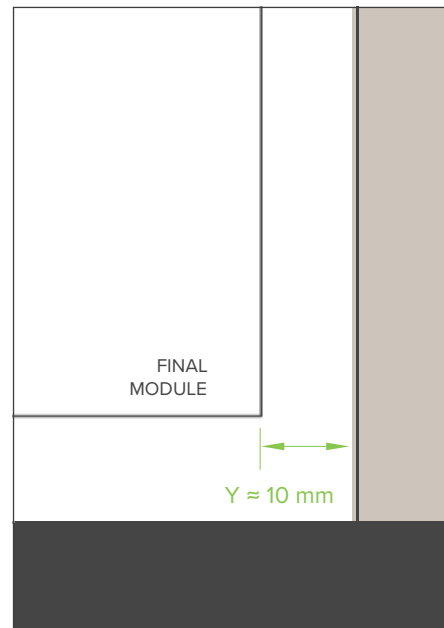
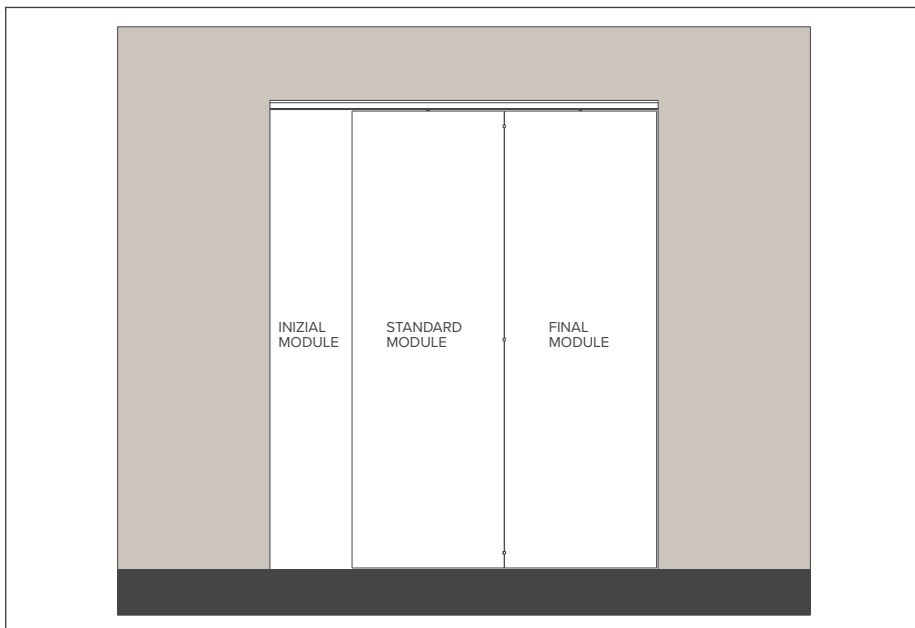
OK

NO

NO

CORRECT OPERATION

After the installation is completed, check the wall for proper wall distension.



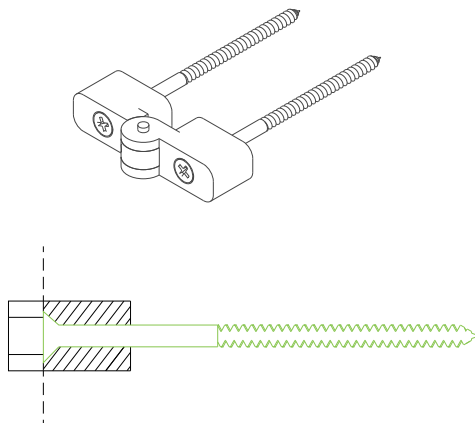
WRONG wall distension



CORRECT wall distension

If distension problems occur, check that the hinges are installed correctly (PAGES 10 and 11).

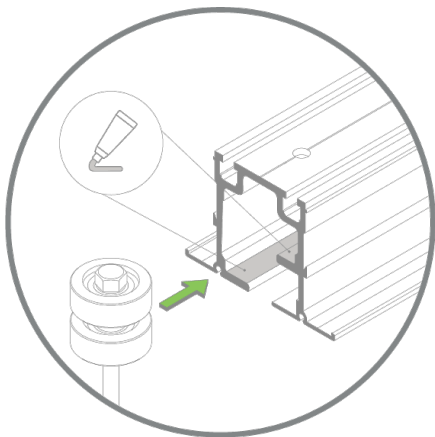
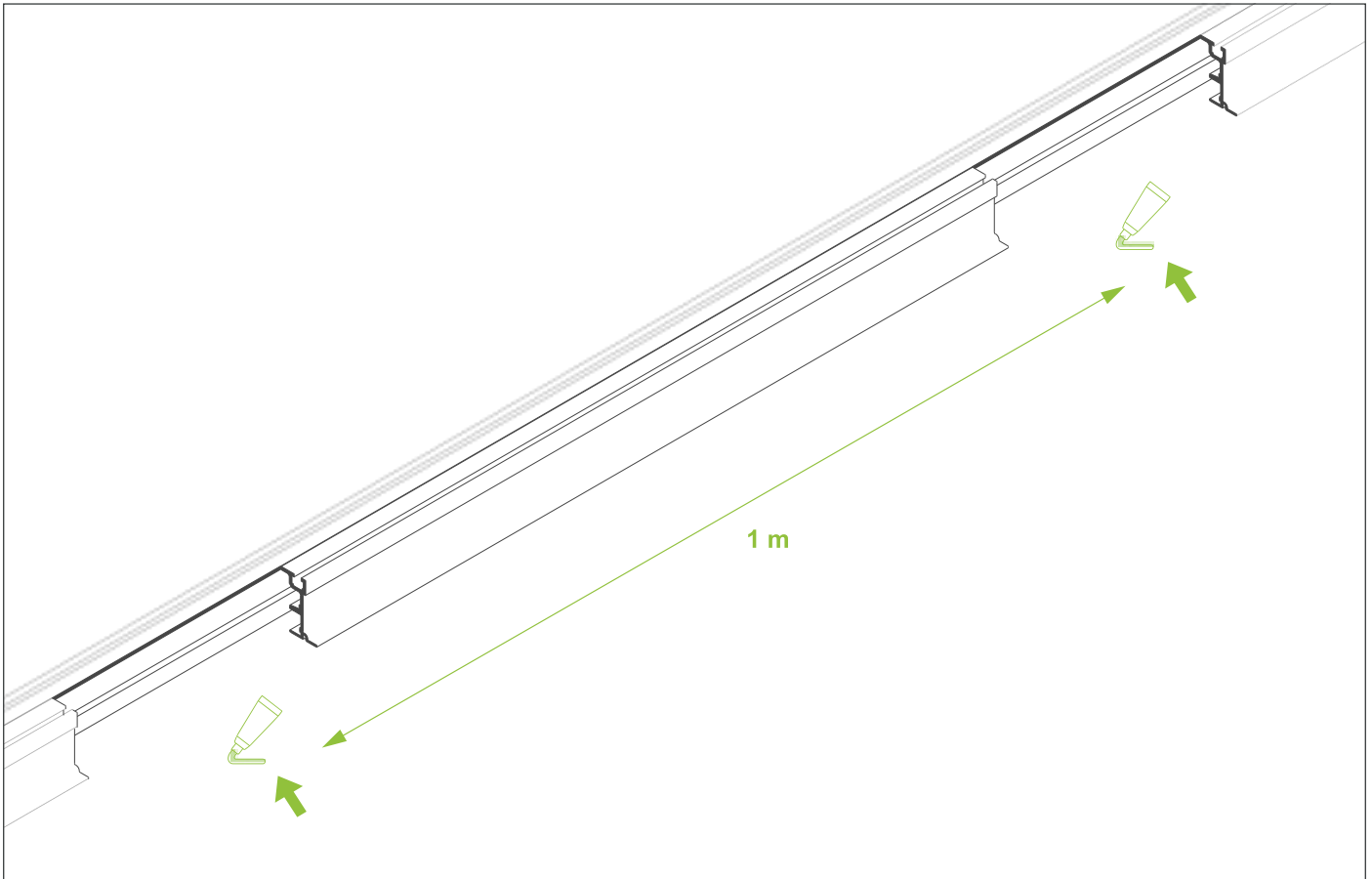
**CORRECT
POSITION
OF SCREWS**



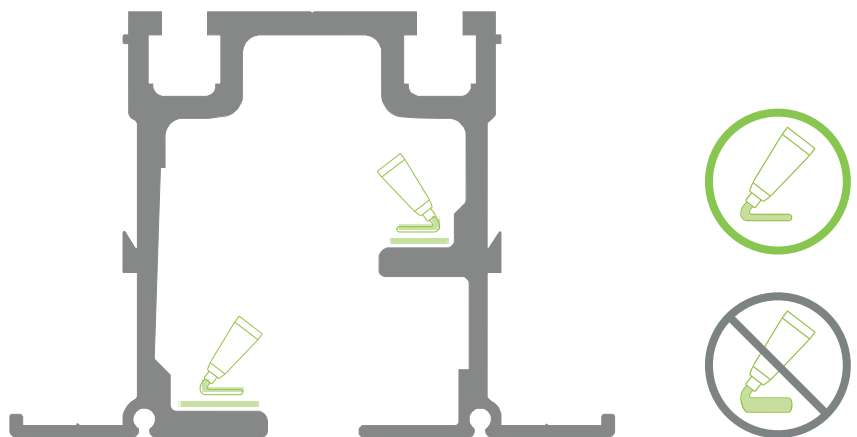
ATTENTION the screw head must be perfectly flush with the hinge, the same goes for the hinge on the profile.

GUIDE LUBRICATION

Apply Vaseline at points about one meter apart.
Then by operating the wall, the trolleys will distribute the lubricant within the entire rail.



Guide flaps to spread the vaseline



Section of the slide rail to spread the light layer of vaseline

USE AND MAINTENANCE

Before using the wall, read the manual carefully and keep it.
Modules should be handled in the correct sequence.

COMMERCIAL NAME

HARMONIC the wooden folding
type: folding sliding wall

MATERIALS USED

Description

Folding sliding wall consisting of modules hinged to each other, composed of at least two modules, one of which is always anchored to the slide rail and to the floor; with slide rail only on the ceiling.

Panels

The panel consists of MDF panels, glued to a wooden perimeter frame and a honeycomb paper inside.

Sliding guides

The rails are ceiling-mounted only and are made of aluminum painted white RAL 9010 20/30 Gloss.

FINISHES

Panels

- Covered in CPL White, Ivory, Gray
- HPL Colours series
- HPL Wood series
- HPL Polaris series
- Coated in magnetic and writable HPL
- CPL lacquered 20/30 gloss all RAL colors

Components

Burnished steel or fine-grained niplay blasted steel.

WALL MOVEMENT

a) Handling from storage area to lying wall.

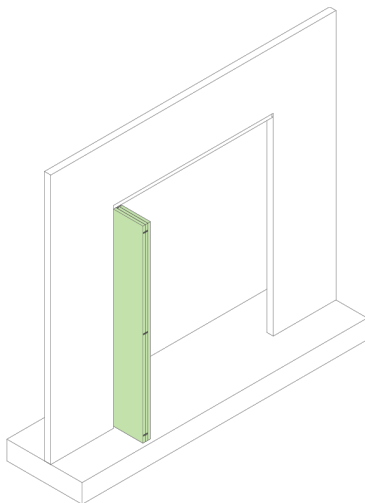
1 Stand in front of the packed wall, embrace the package and slide the first and last modules.

2 Spread the wall gently by pressing down on the fold without hinges in a view to partially unfold the wall, operate on both handlings from lying wall to storage area

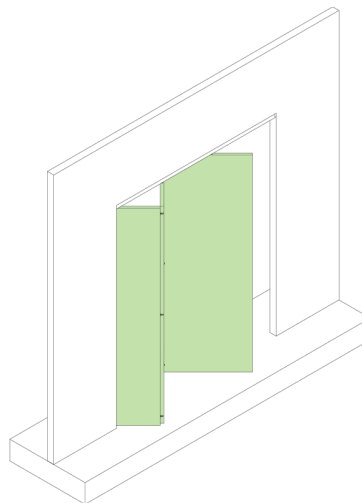
1 Stand facing the wall, push near the center hinge furthest from the storage area.

2 Partially fold the wall, operate on both handlings the wall toward the storage area until the modules touch each other.

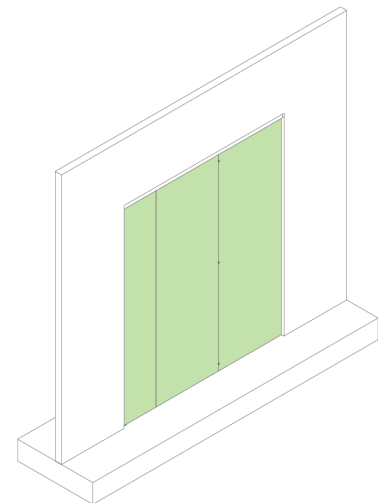
STORAGE WALL



FOLDED WALL



DISTENSE WALL



PRECAUTIONS FOR USE

Avoid improper and inappropriate uses of the product. Any tampering or installation not in accordance with the manufacturer's instructions could impair the functionality of the product.

CLEANING AND MAINTENANCE

After about 12 months from the date of installation, check the tightening of the hardware of the various components as well as the lubrication of the carriages.

To maintain a perfect sliding of the modules, it is advisable to provide a cleaning of the sliding rail, at least once a year with specific products for aluminum.

At the occurrence of any slightest malfunction, it is mandatory to perform extraordinary maintenance, which should be carried out immediately and in a workmanlike manner.

Wall elements should be cleaned with household products suitable for furniture paying attention to the type of finish. Removing excess dust or small spots of dirt requires the use of a soft electrostatic cloth that does not release lint. Never use abrasive sponges that could damage the superficial finish. A buckskin or microfiber cloth are perfect for cleaning tasks.

Checking that the cloth does not contain traces of detergent, in which case it is better to use another one, go over the surface with the detergent, without rubbing but always cleaning gently. After wiping with the cloth soaked in the most suitable product, it is a good idea to proceed with the rinsing and drying operations quickly, taking care to use a dry cloth and therefore not the same one just used. Avoid air drying.

Should the wall be made of laminate, ask Anaunia for the cleaning chart for HPL laminate or decorative laminate.

INSTALLATION, USE AND MAINTENANCE MANUAL - HARMONIC

EN

This document is protected by copyright and intended exclusively for internal use. It is prohibited to make this document available to third parties, to reproduce it by any method or in any form - including extracts - and/or to utilise or communicate the content for any purpose other than internal use without the written consent of CARVART.

CARVART®

1441 Broadway floor 28,
New York, NY 10018
(212) 675-0030

www.carvart.com
info@carvart.com

Follow us on

