

glassSCREENS > Sliding Framed Single



CARVART's glassDOOR offering includes a broad range of design options to choose from. By combining glass (colors and finishes), function (slide) and aesthetic (from minimalist and exposed to more concealed and private), customers can design and create truly unique spaces.

Dimensioned to custom-fit each project, CARVART's glassDOOR is also engineered to install efficiently. The solutions have versatile designs as well as application, catering to both architect and client specifications. With high-quality performance and durability, CARVART's glassDOOR is perfect for any space.

Specifications

glassSCREENS > SLIDING FRAMED SINGLE (STAF-1X)

Floor-mounted and fully framed by aluminum profile, the single glass panel is captured by both top and bottom rails. Option to conceal top track for minimal look.

VALUE-ADDED BENEFITS

- Easy installation: pre-assembled door panel
- Efficient operation: simple hardware design
- Minimalist: small aluminum frame; option to fully conceal top track
- System durability and long-term integrity
- Turnkey integrated project services

FACILITY DESIGN APPLICATIONS

Space division between offices, conference rooms or flex-space, bathrooms.

CONFIGURATIONS

Single, single + fixed panels to match, side mounted, top mounted, concealed.

FUNCTION

Top-hung sliding single panel.

GLASS TYPES

Tempered monolithic.
Tempered laminated.

GLASS FINISHES — Refer to Finish Chart

CARVART laminated transparent glass design options available.

SURFACES

Smooth glass.
Etched glass.

GLASS THICKNESS —

Refer to local code and structural requirements
Accommodates 1/4" nominal.

HARDWARE DIMENSIONS

Aluminum top track: 2" wide x 2" high nominal.
Vertical side rails: 1-3/4" deep x 3/4" wide.
Horizontal side rails: 1-3/4" deep x 1-9/16" wide.

HARDWARE MATERIALS/FINISHES —

Refer to Finish Chart
Satin anodized aluminum, polished aluminum, blackened aluminum. black, white, grey, midnight, charcoal, light grey, warm grey, champagne, terra cotta.

WIDTHS — OVERALL MINIMUM/

MAXIMUM RANGE (inches):
Glass panels: Minimum 29". Maximum 48".

HEIGHTS — OVERALL MINIMUM/

MAXIMUM RANGE (inches):
Glass panels: Minimum 18" height.
Maximum 108" height above finished floors.

MOUNTING FASTENERS

Final anchoring decision is client-directed or based on client structural consultant.
Mounting fasteners and anchors to be supplied by others.
CARVART advisory and coordination available.

WEIGHT & STRUCTURAL LOADS —

Consult local engineer for structural codes and requirements
Top rails for individual panels rated up to 220 lbs.
Linear per foot weights based on final glass type.
Overall weights available upon request for client structural calculations.
Refer to CARVART for technical consultation.

ADD-ON DESIGN OPTIONS —

Per specification and upcharges apply
Various pull options.
Various plastic/brush connection details for increased privacy.

CUSTOMIZATION

Custom dimensions per opening.

INSTALLATION

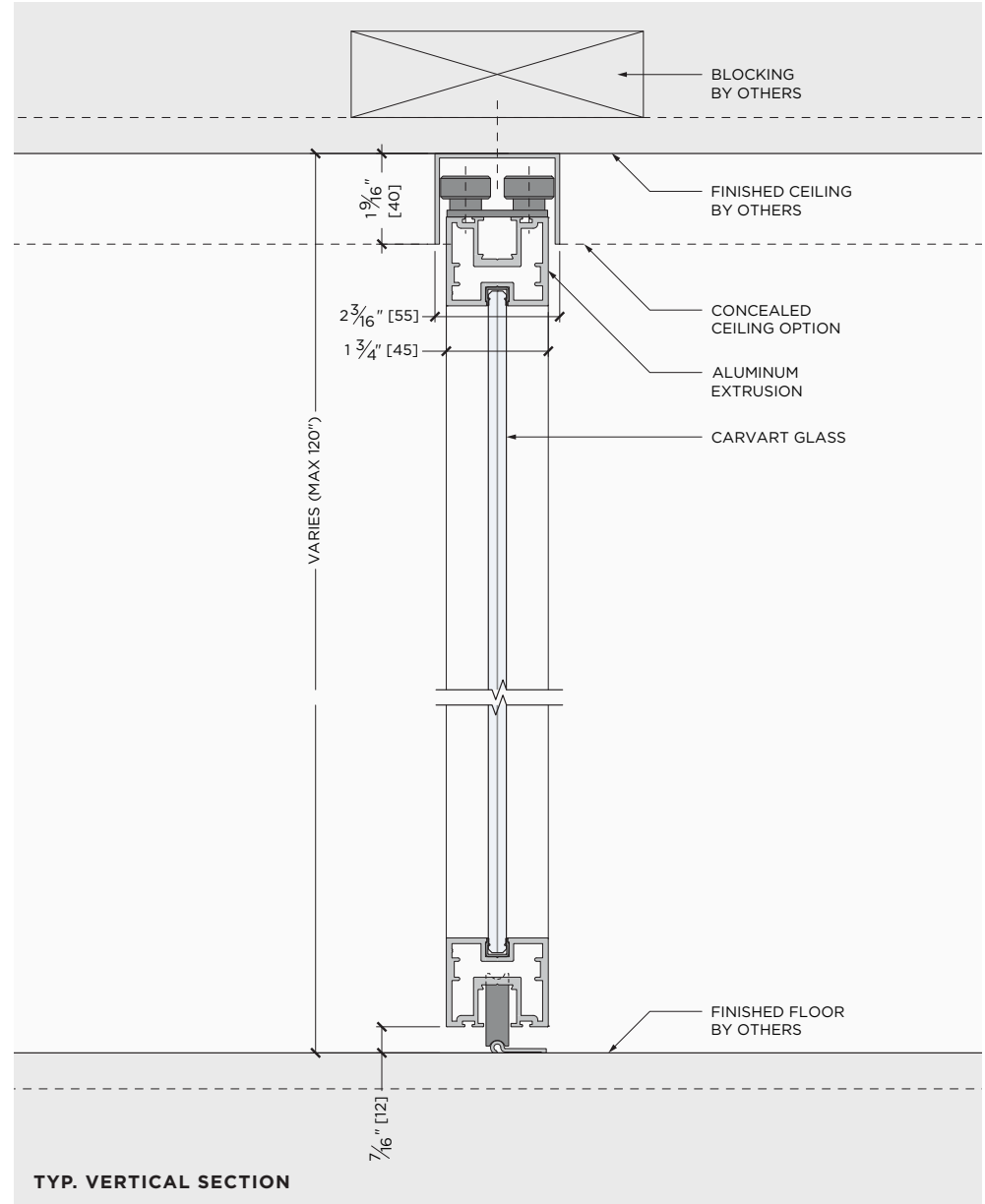
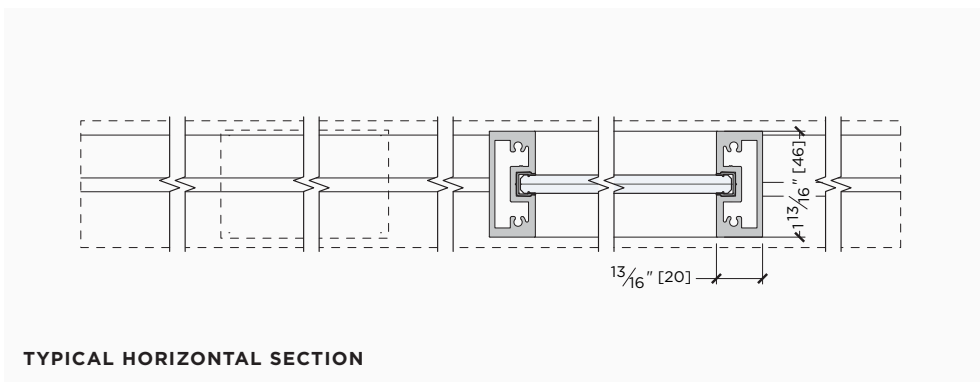
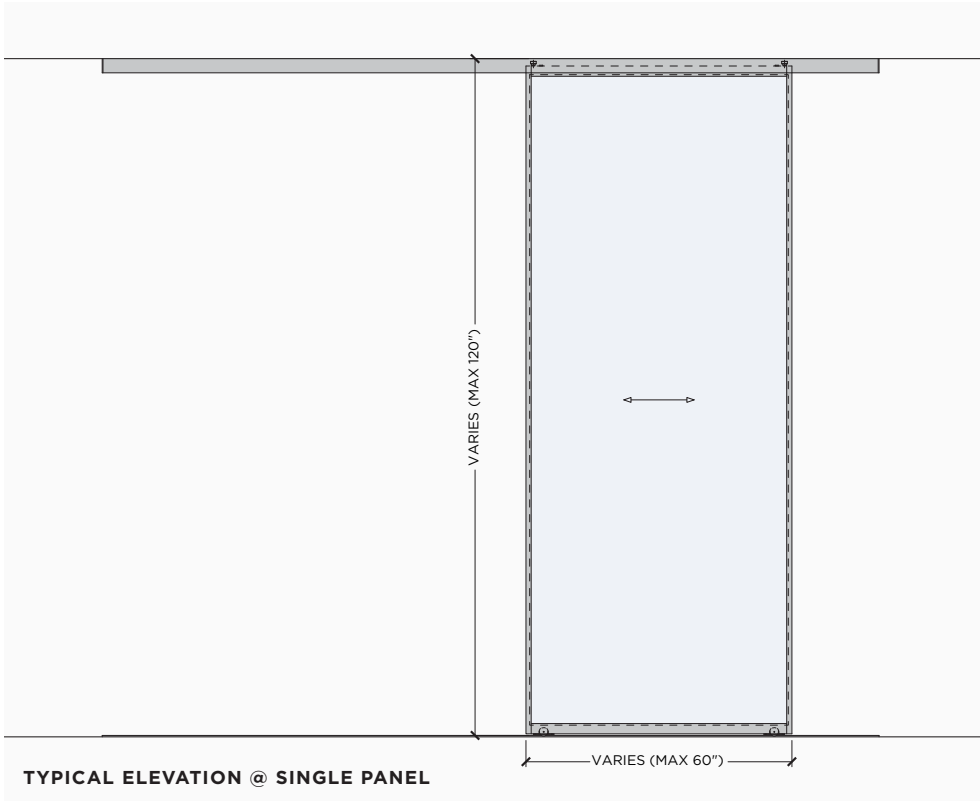
Limited components make for fast installation.
Pre-cut top track speeds up install available.
Requires trained and competent glazing or carpenter industry professionals.
Installation instructions, assistance and training available at time of order.
All hardware components, including doors, will be delivered knocked down and require assembly by a glazing industry professional. Certain glass and hardware finishes are available as pre-assembled products as called out in the glass and hardware finishes pages. Consult a CARVART agent for information on available pre-assembled components.

HARDWARE WARRANTY —

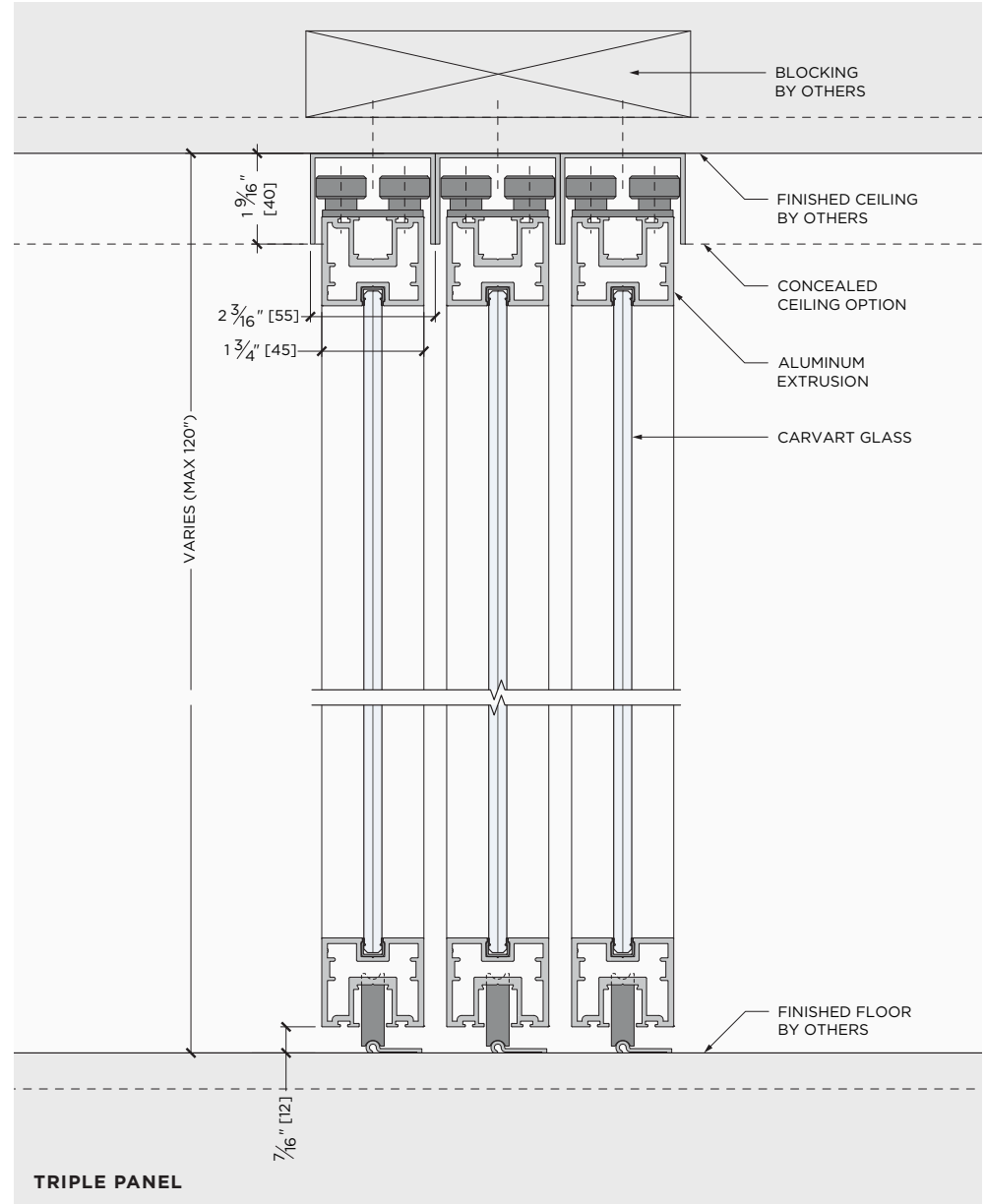
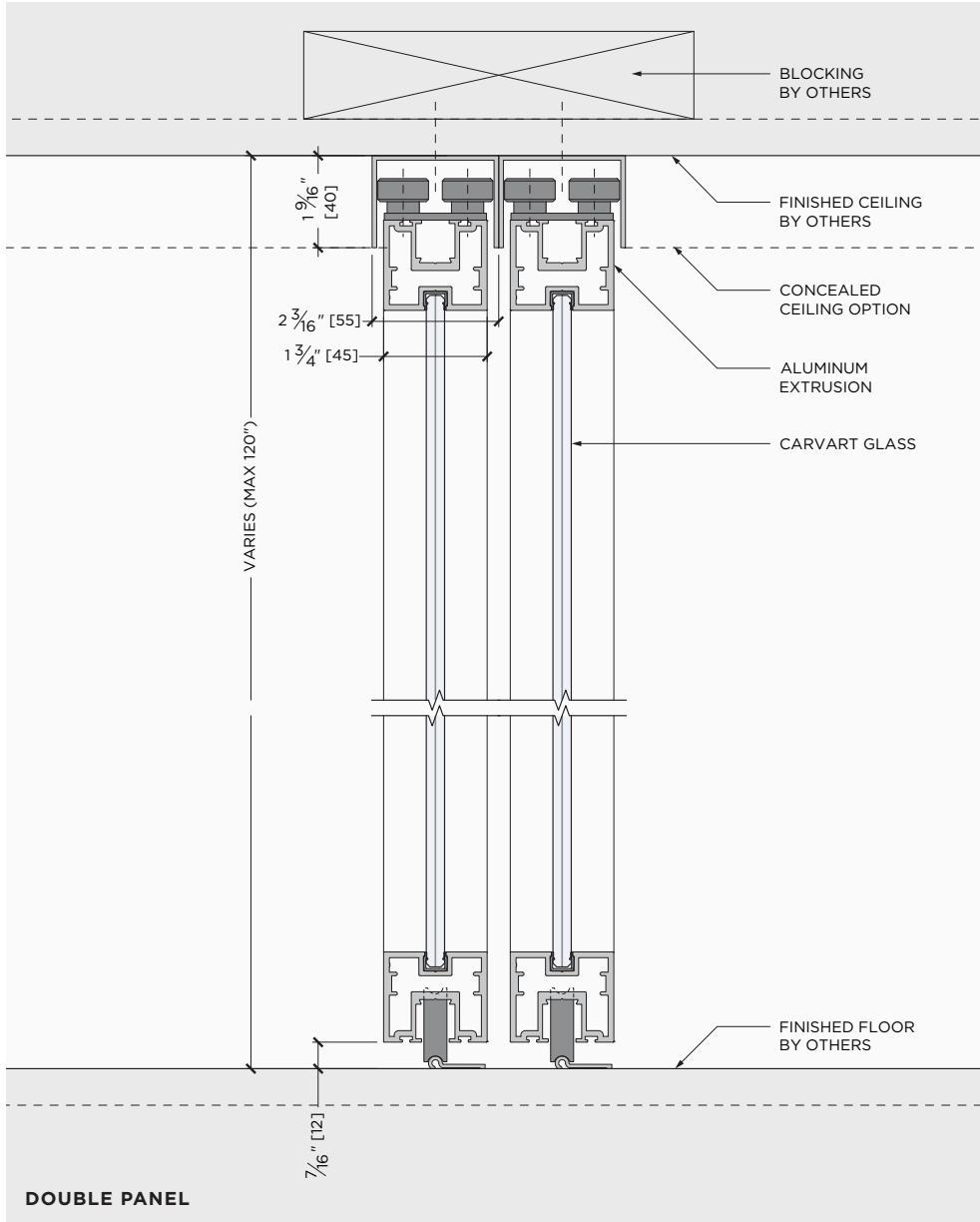
1-year limited warranty.

For more info, contact CARVART Sales Advisory Team at quotes@carvart.com or call us at 212 675 0030.

Details

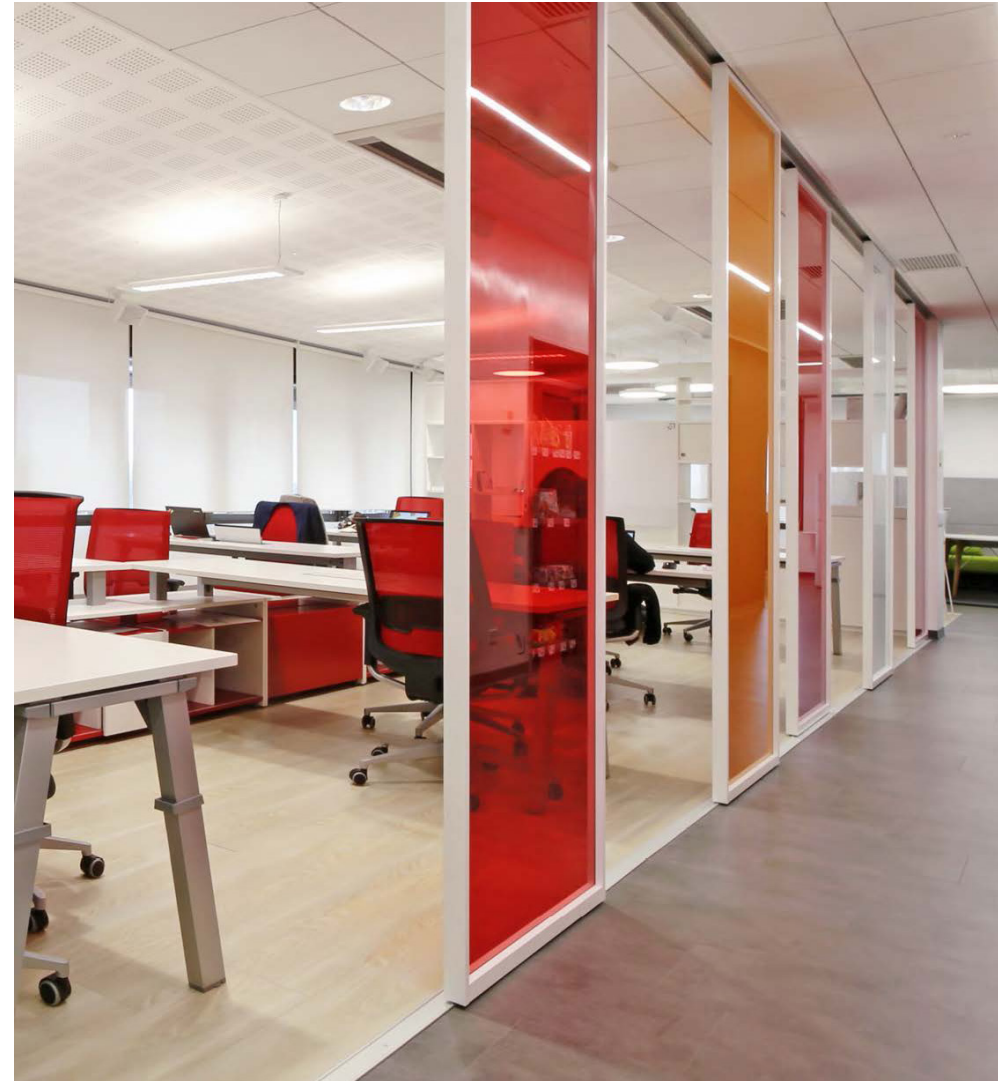


Options: Configurations

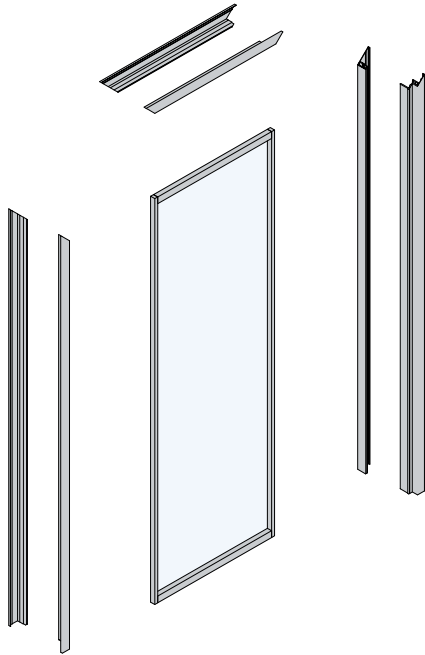


Design appeal and detailing

- All profiles and hardware are specifically engineered to keep sight lines and design aesthetic minimal
- Aluminum fascias conceal all clamping and hardware, available in various finishes
- Lightweight and optimized hardware solutions keep system efficient and easy to operate
- Create unique appearance with CARVART glass options

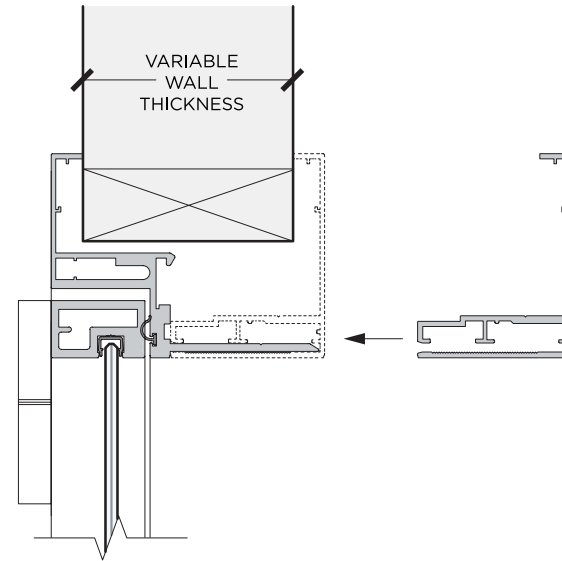


Ease of installation



SIMPLE PANEL ASSEMBLY

All door panels come with installation instructions labeled to match shop drawings for easy set-up and assembly.



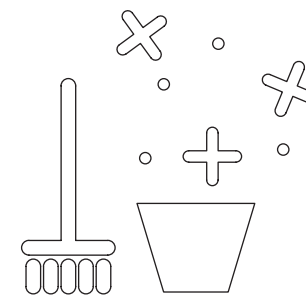
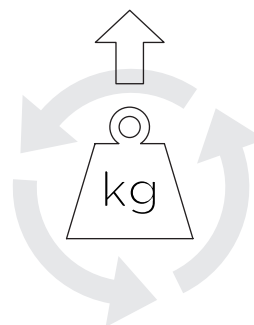
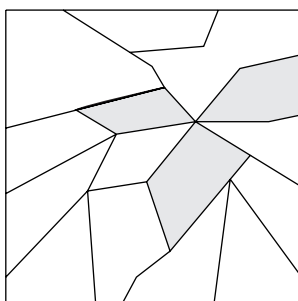
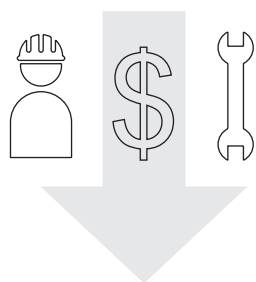
PRE-ASSEMBLED COMPONENTS

Door panels come pre-assembled and glazed, with frames pre-mitered, allowing an efficient installation process.

Life cycle maintenance

CARVART products are fully dry-glazed, eliminating the unnecessary labor and maintenance costs associated with standard sliding door systems. This, in conjunction with CARVART's reliable archive of shop drawings allows for efficient replacement.

The hardware is cycle-tested at high frequencies to ensure durability, over-engineered strength and quality. Finally, products are easy to clean due to minimal profiles and overall limited hardware.



EASE OF INSTALLATION

CARVART's products are engineered to be light-weight and ergonomic, facilitating installation and eliminating unnecessary labor costs due to complex assembly methods.

EASY TO REPLACE

Minimal hardware with easy access to hinges, tracks and trolleys making replacement efficient and hassle-free.

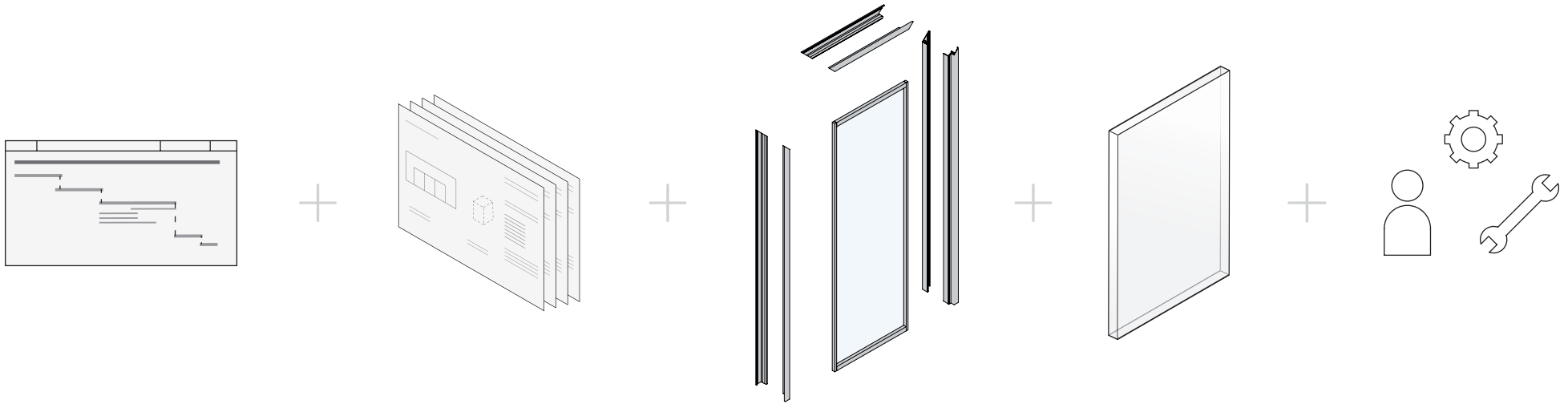
HIGH-CYCLE TESTED DURABILITY

All CARVART glassDOORS are cycle-tested to hundreds of thousands of cycles, and rated for weights that exceed beyond maximum panel size.

CLEANING AND MAINTENANCE

Once system is properly installed, virtually no maintenance is needed. Additionally, profiles have minimum reveals and crevices, significantly reducing dust collection.

Project management coordination



COORDINATION AND SHOP DRAWINGS

- CARVART offers full scheduling coordination and phasing for custom project delivery
- Full range of coordination and shop drawing/engineering services
- Dedicated project managers are assigned to each project for maximum success

HARDWARE OPTIONS

- Provide full range of hardware options for infinite design and site conditions
- Multiple design options

GLASS DESIGN AND DEVELOPMENT

- Glass design and development services integrate standard and custom glass selections with available hardware options

POST-DELIVERY SERVICES

- Installation training specific to project and product
- Project-specific service levels (including phased deliveries and shipping)
- Project logistics can ship by floor or designated area

COREglass



COLORglass

Translucent Whites Laminated



COLORglass

Transparent Laminated



*Available as pre-assembled door products.

PATTERN glass

Etch							Texture					
	01 Shine	05 Beam	07 Vision	08 Glisten	20 Orb	21 Laser	09 Mirage	10 Diffuse	11 Illusion	12 Prism	30 Lustre	31 Fractal

METALLIC glass

Gauze				Screen				Mesh				Silk			
	01 Stainless Steel	02 Copper	03 Gold	01 Stainless Steel	02 Copper	03 Gold		01 Stainless Steel	02 Copper	03 Gold		01 Stainless Steel	02 Copper	03 Gold	
Herringbone					Wire					Reflex					
	01 Stainless Steel	02 Copper	03 Gold	04 Bronze	01 Stainless Steel	02 Copper	03 Gold	04 Bronze		01 Stainless Steel					

TEXTILE glass

		Linen				Stria				
01 Optical White	20 Pearl	01 Natural	02 Greige	03 Charcoal		01 White	02 Warm	03 Cool	04 Copper	
Wave					Luxe					
	01 White	02 Warm	03 Cool	04 Copper	01 Champagne	02 Gold	03 Copper	04 Steel		

GRADIENT glass

01 Dot	02 Ombre

COVERT glass

007	M	DB5	Q

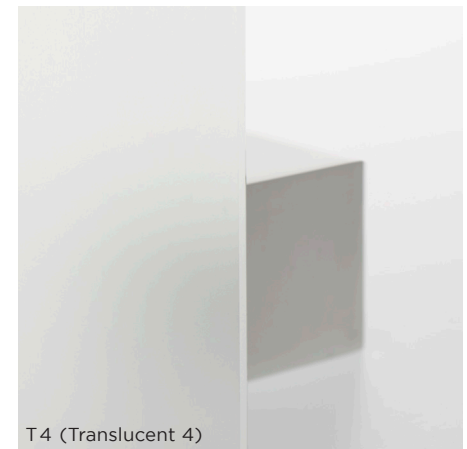
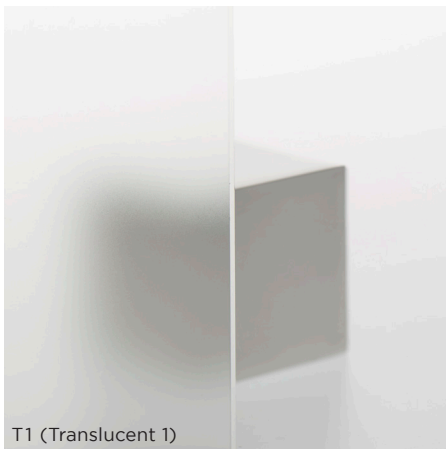
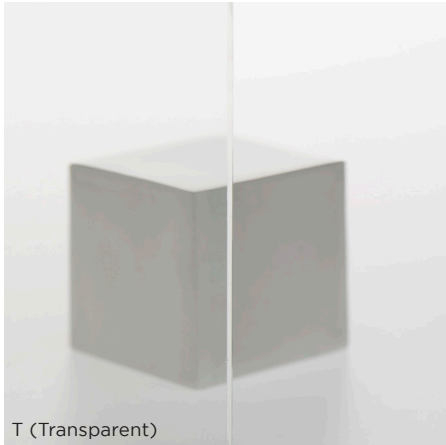
HARDWARE Powder coat

MFBL** Black	MFWH** White	MFSL** Metallic Silver	MFMN Midnight	MFCC Charcoal	MFBG Light Grey	MFWG Warm Grey	MFCP Champagne	MFTC Terra Cotta
MFSA Satin Anodized Aluminum	MFBS Brushed "Stainless" Aluminum	MFPA Polished Aluminum	MFBB Blackened Aluminum	MFBZ Bronze Heavy				

** Standard finish

Views

Shown in order
of lowest
to highest
translucency



CARVART®