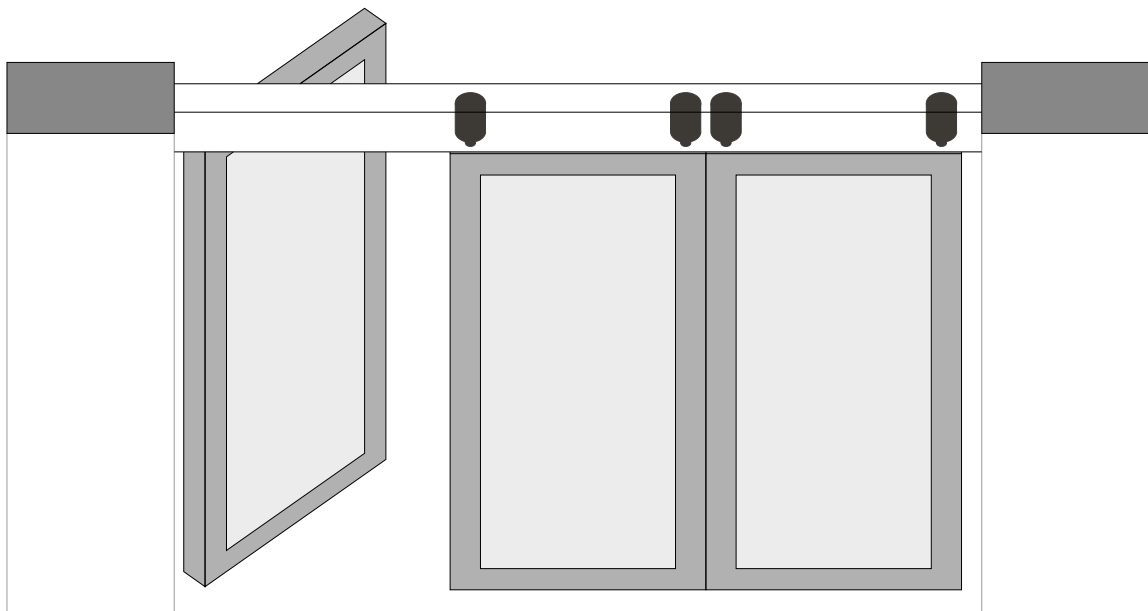


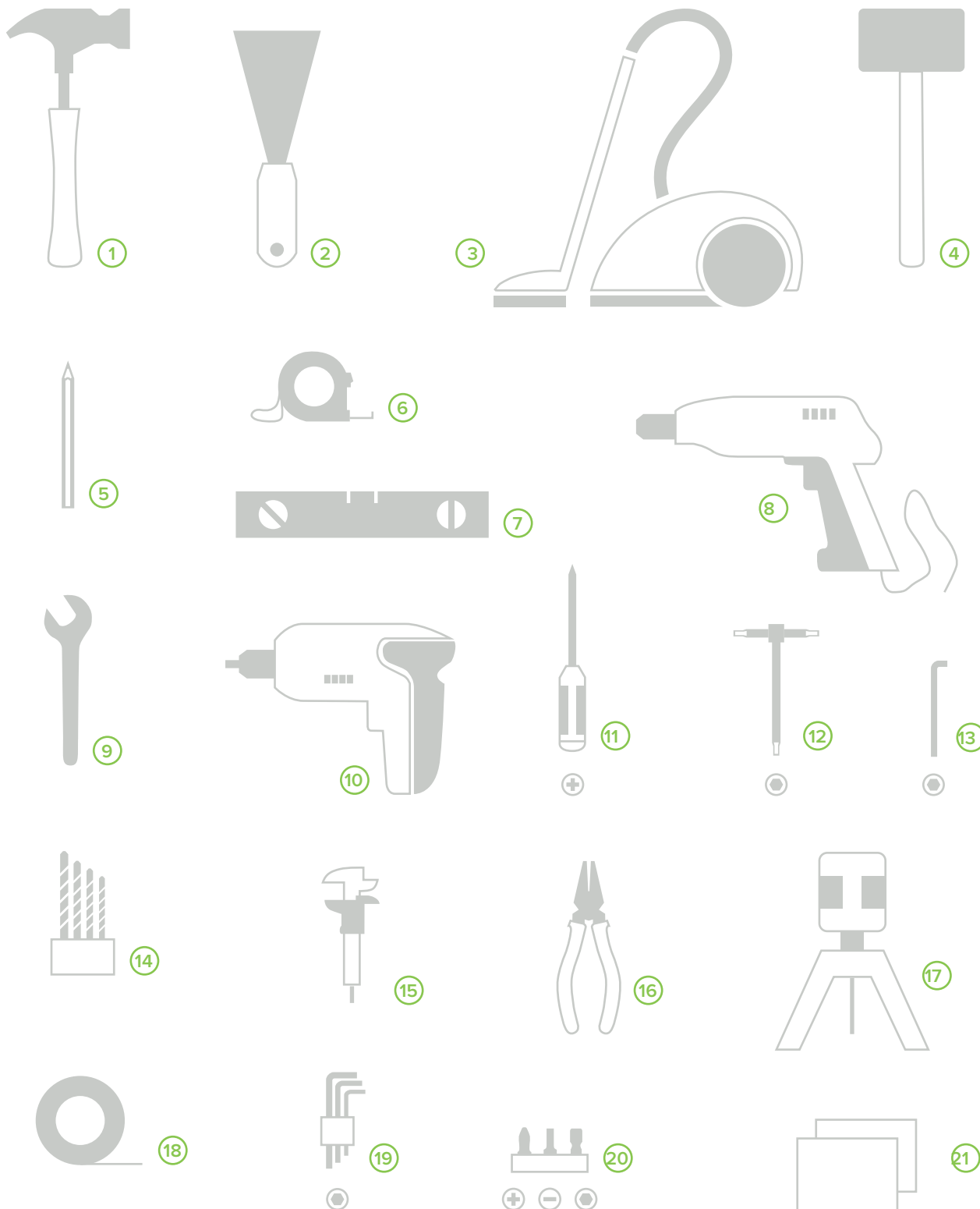
CARVART®

# MANUAL OF INSTALLATION USE and MAINTENANCE

AURA



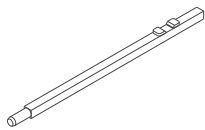
## TOOLS NEEDED FOR ASSEMBLY



- |           |                |                   |                       |           |                                |          |                 |                            |                 |                          |                             |                                     |  |             |                  |                 |                  |                    |                             |                  |
|-----------|----------------|-------------------|-----------------------|-----------|--------------------------------|----------|-----------------|----------------------------|-----------------|--------------------------|-----------------------------|-------------------------------------|--|-------------|------------------|-----------------|------------------|--------------------|-----------------------------|------------------|
| 1. Hammer | 2. Putty Knife | 3. Vacuum cleaner | 4. Hard rubber hammer | 5. Pencil | 6. 5 meter metric tape measure | 7. Level | 8. Impact drill | 9. 8mm Lowered open wrench | 10. Screwdriver | 11. Phillips screwdriver | 12. 5mm T shaped Hex Wrench | 13. 3mm Lowered L shaped Hex Wrench | 14. Set of drill bits for drilling floor | 15. Caliper | 16. Noose Pliers | 17. Laser level | 18. Masking Tape | 19. Hex wrench set | 20. Set of screwdriver bits | 21. Carbon paper |
|-----------|----------------|-------------------|-----------------------|-----------|--------------------------------|----------|-----------------|----------------------------|-----------------|--------------------------|-----------------------------|-------------------------------------|--|-------------|------------------|-----------------|------------------|--------------------|-----------------------------|------------------|

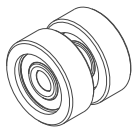
## COMPONENT BOARD

COD. 440000



Ground pivot  
L=900 mm

COD. 164010.02



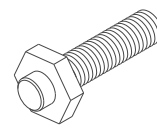
Trolley Ø40mm

COD. 03801.03006



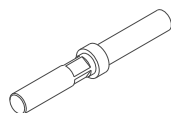
VSTEl grain M3x6mm  
conical tip

COD. 400013.2



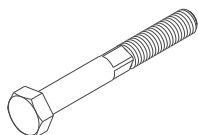
Floor pin Aurea D=24xH=60  
black burnished

COD. 400014.01



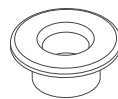
Upper hinge pin D=100mm  
black galv. for initial module

COD. 400023



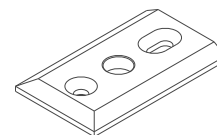
Bogie pin standard  
module 41 mm

COD. 92398.2



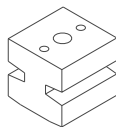
Floor compass

COD. 400015



Chamfered floor plate  
62x54x4mm burnished

COD. 400012.1



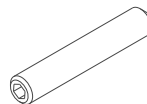
Upper pin retainer  
39x41x42mm Black PVC

COD. 05106 (nera) COD.  
05106.1032 (nichel)



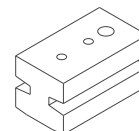
Maniglia ad incasso 75x32mm  
finitura nera o nichel sat. lucido

COD. 03801.06050



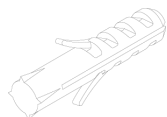
ISO4027 grain 45H (GR) E13  
M6x50mm conical tips

COD. 400012



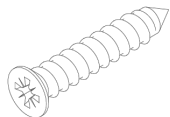
Upper pin retainer  
39x41x72mm PVC black

COD. 04202.0636



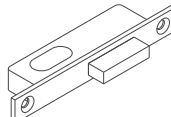
Plastic multi-purpose  
Zebra 6x35mm

COD. 01207.40045



TPS screw 4x45mm  
galvanized

COD. 163024



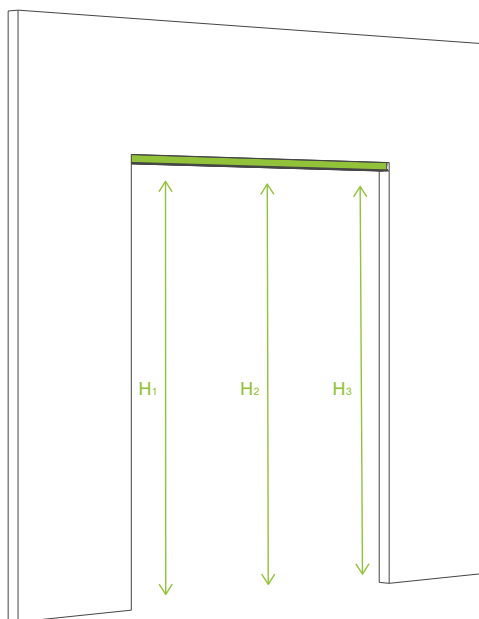
Lock for  
sliding doors

COD. 163043

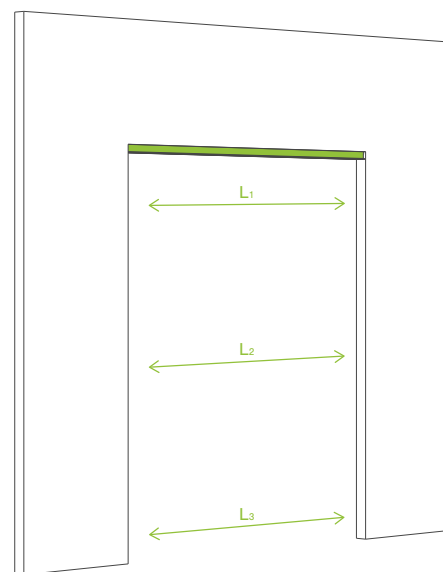


Lock cylinder

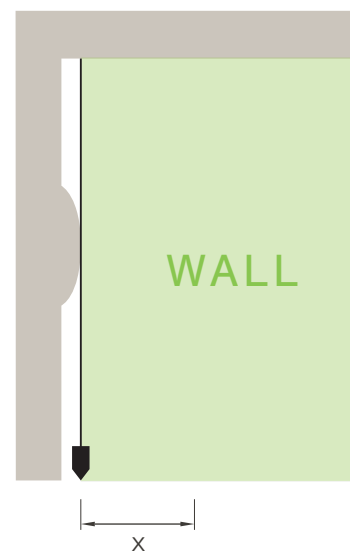
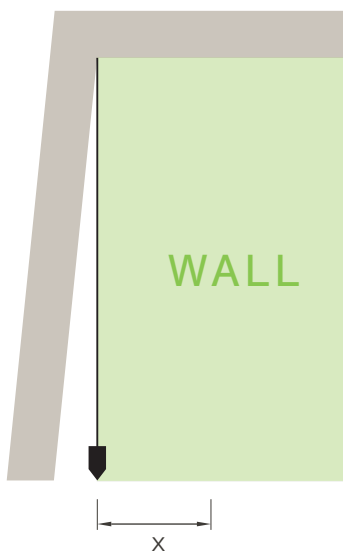
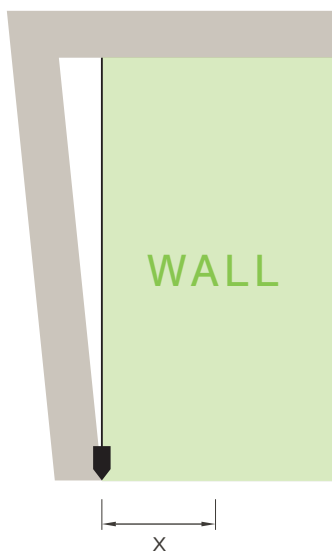
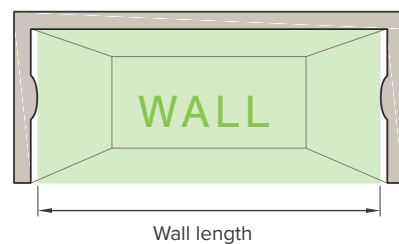
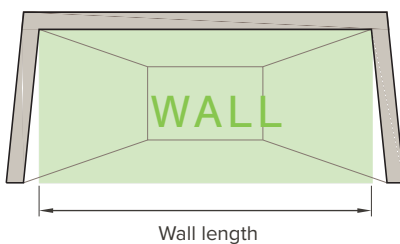
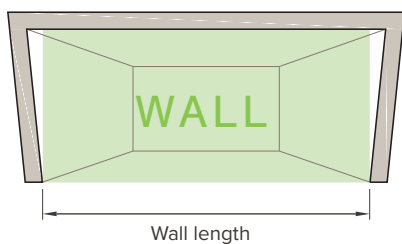
### INITIAL CHECK



Measure height/width of the opening and check that correspond with the design dimensions.

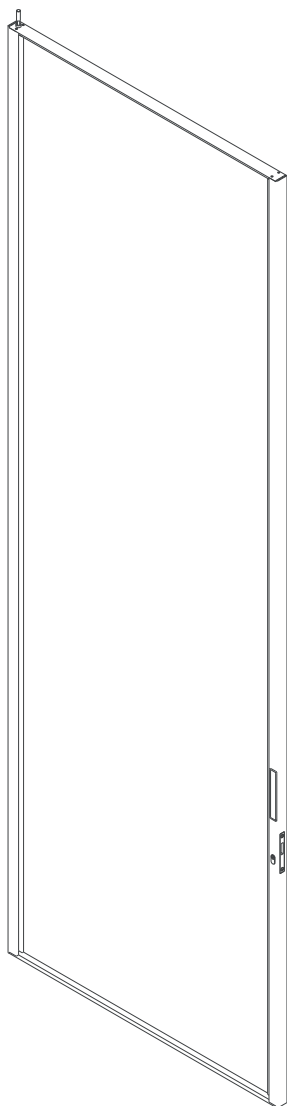


### OUT-OF-LEAD CONTROL



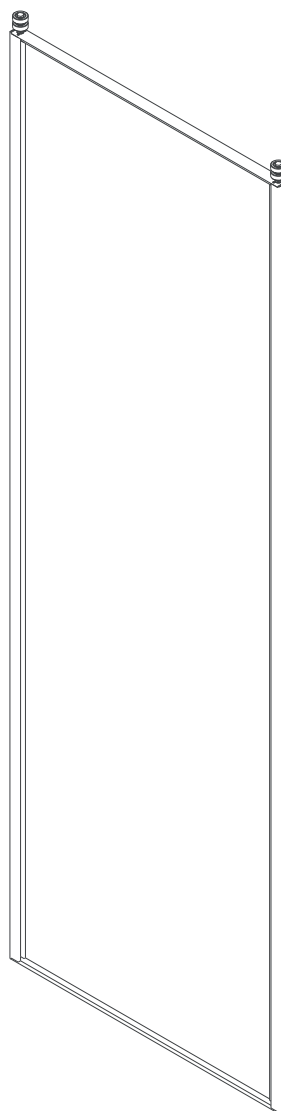
X = distance of the floor plate from the lead (SEE PAGE 7)

## TYPE OF MODULES



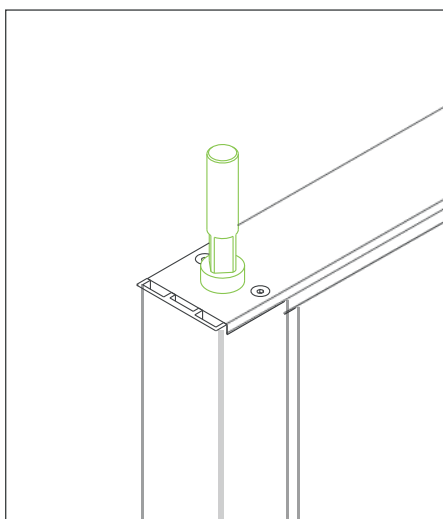
### DOOR MODULE

Ground and top pin module, also available with lock.

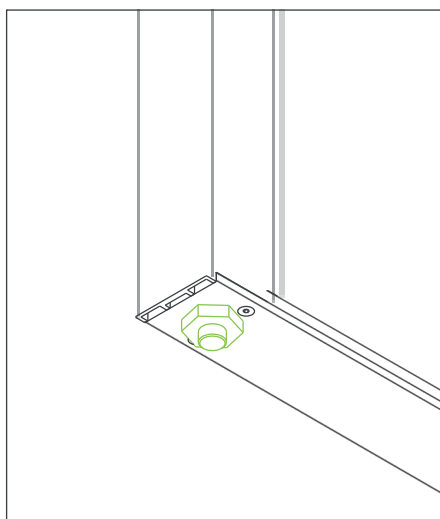


### STANDARD MODULE

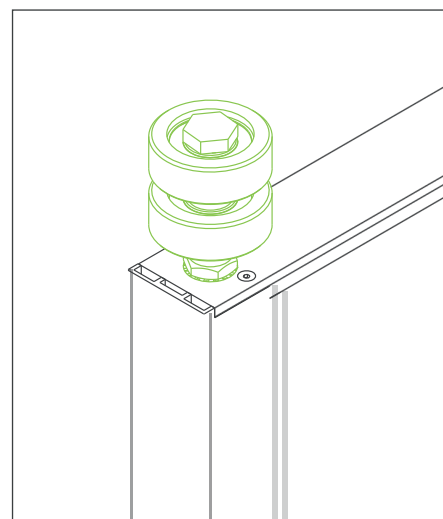
Module with upper bogies, there may happen to be the presence of a ground pivot



TOP PIN

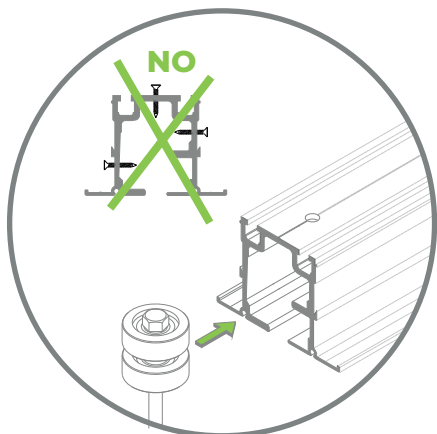


GROUND PIN

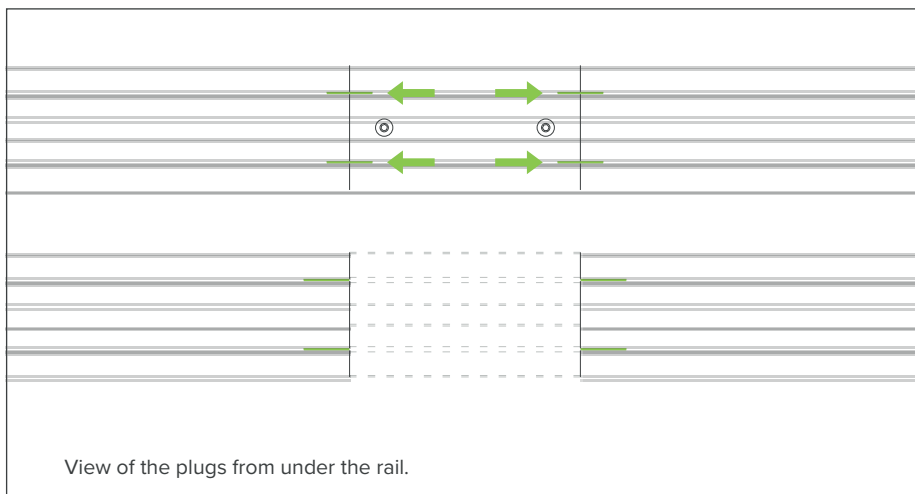


TROLLEY Ø40 mm

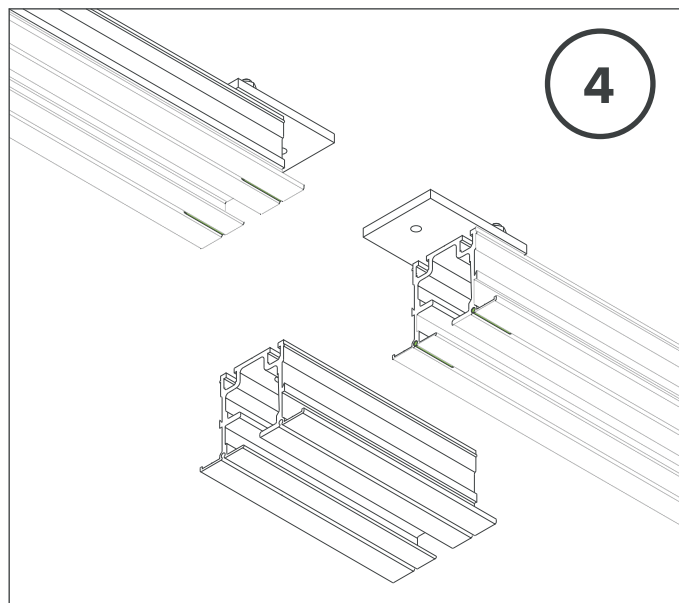
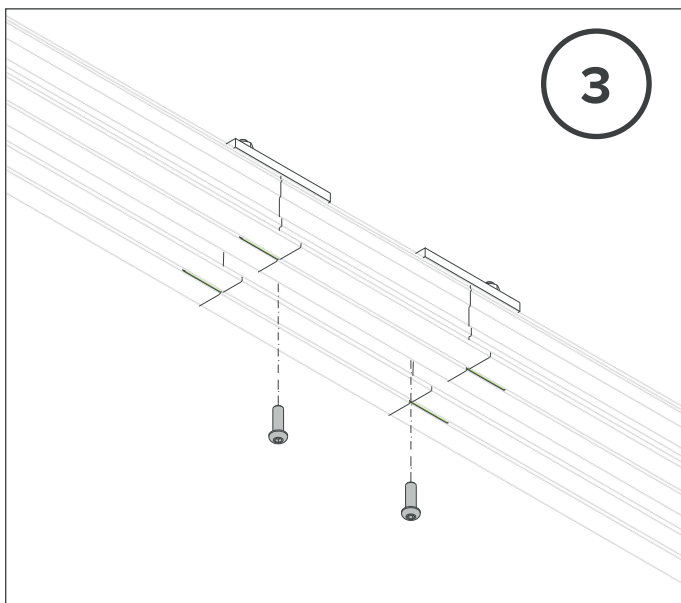
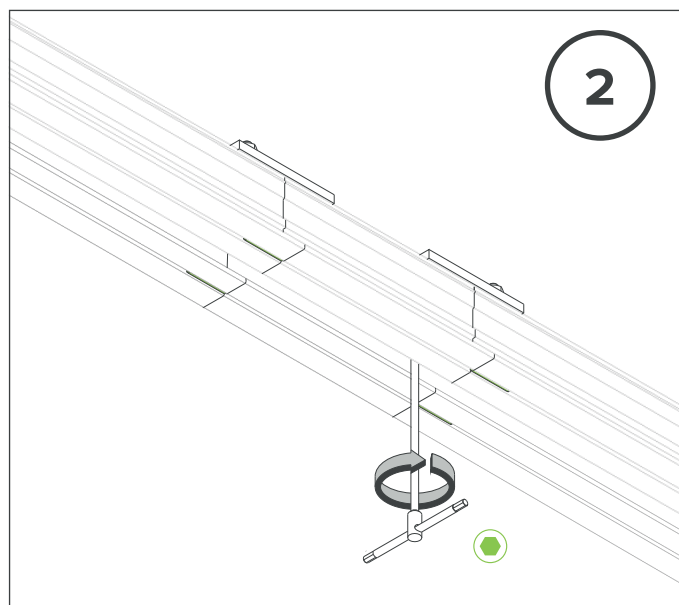
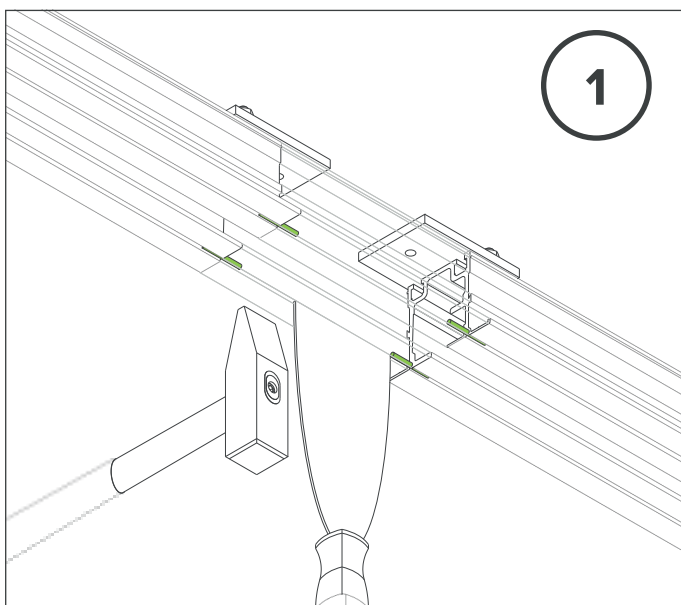
## RAIL CHECK AND REMOVAL OF THE DEMOUNTABLE PIECE



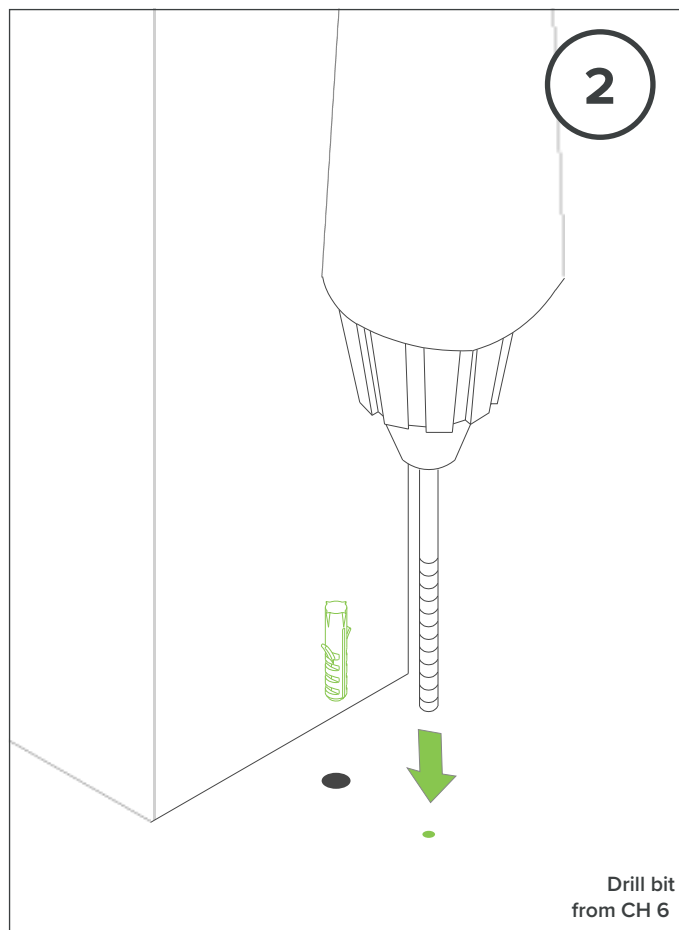
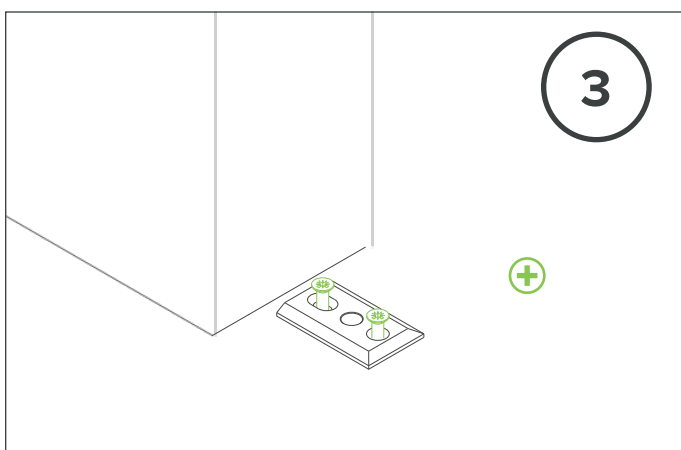
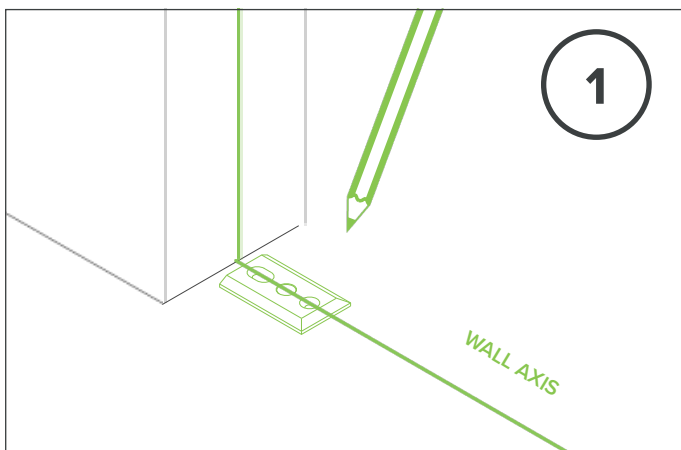
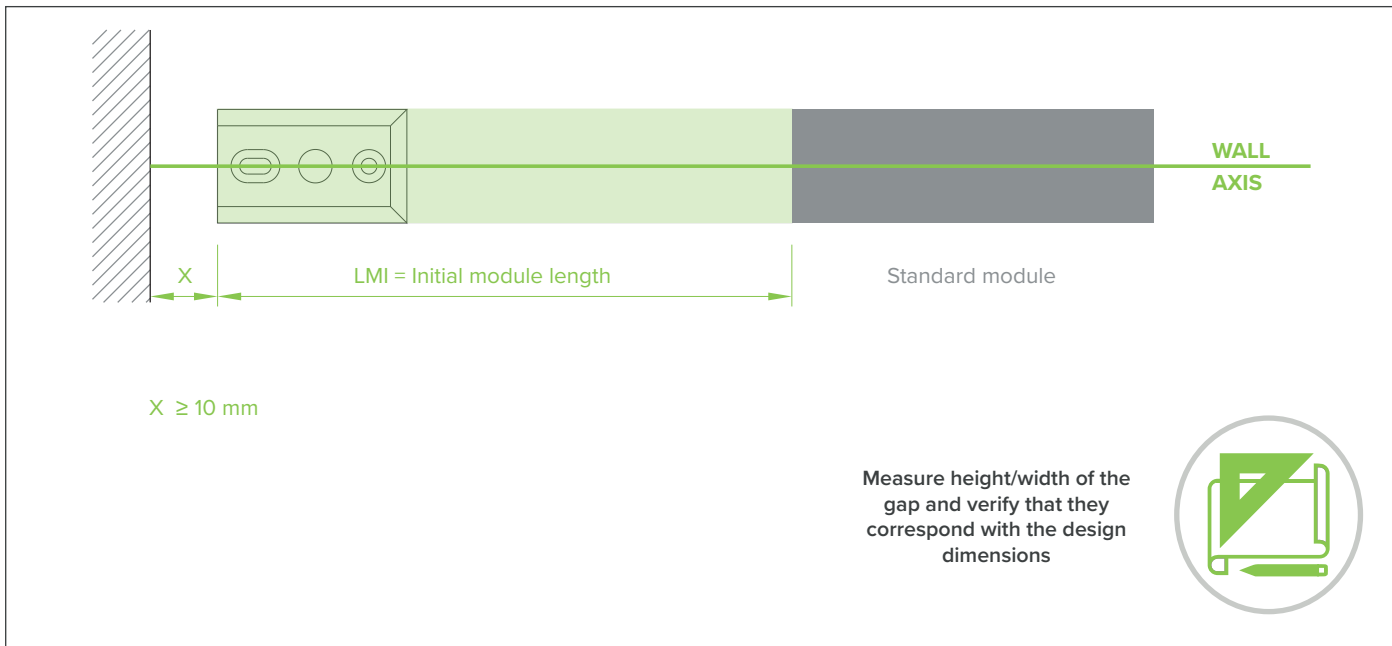
Check that the rail is clean, undamaged and/or obstructed



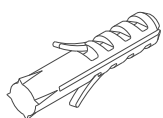
View of the plugs from under the rail.



## GROUND PLATE FIXING

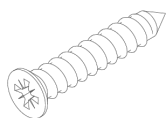


### HARDWARE USED



X 2

COD.  
04202.0636

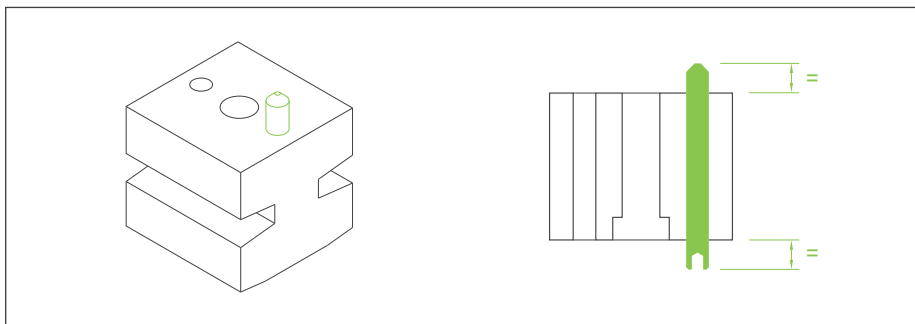


X 2

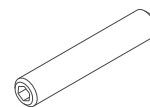
COD.  
01207.40045

## BLOCK ASSEMBLY AND FIRST MODULE

Insert both beads before mounting the half module.

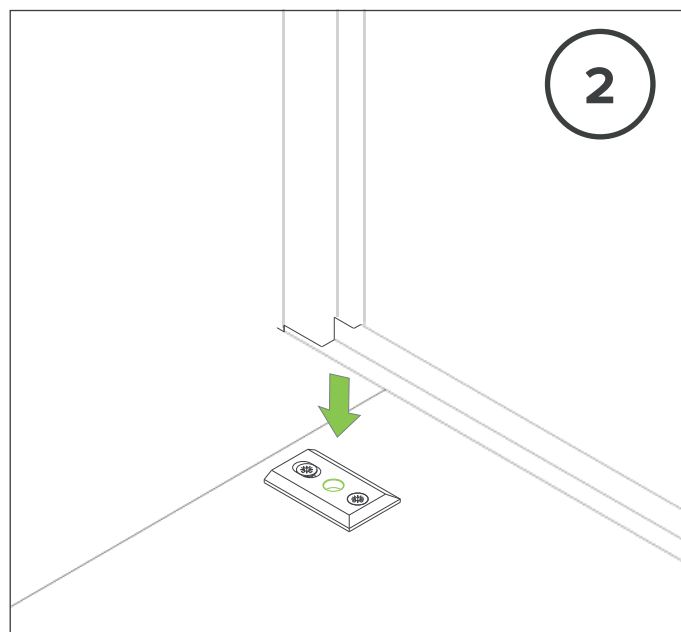
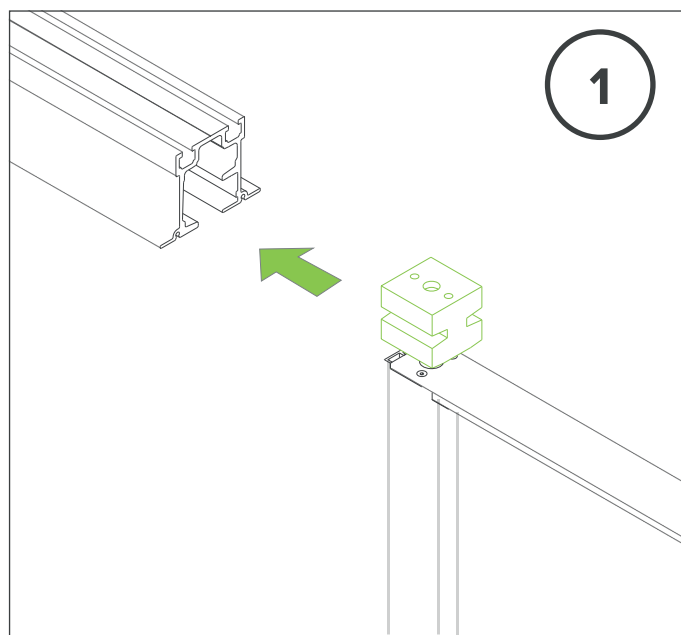
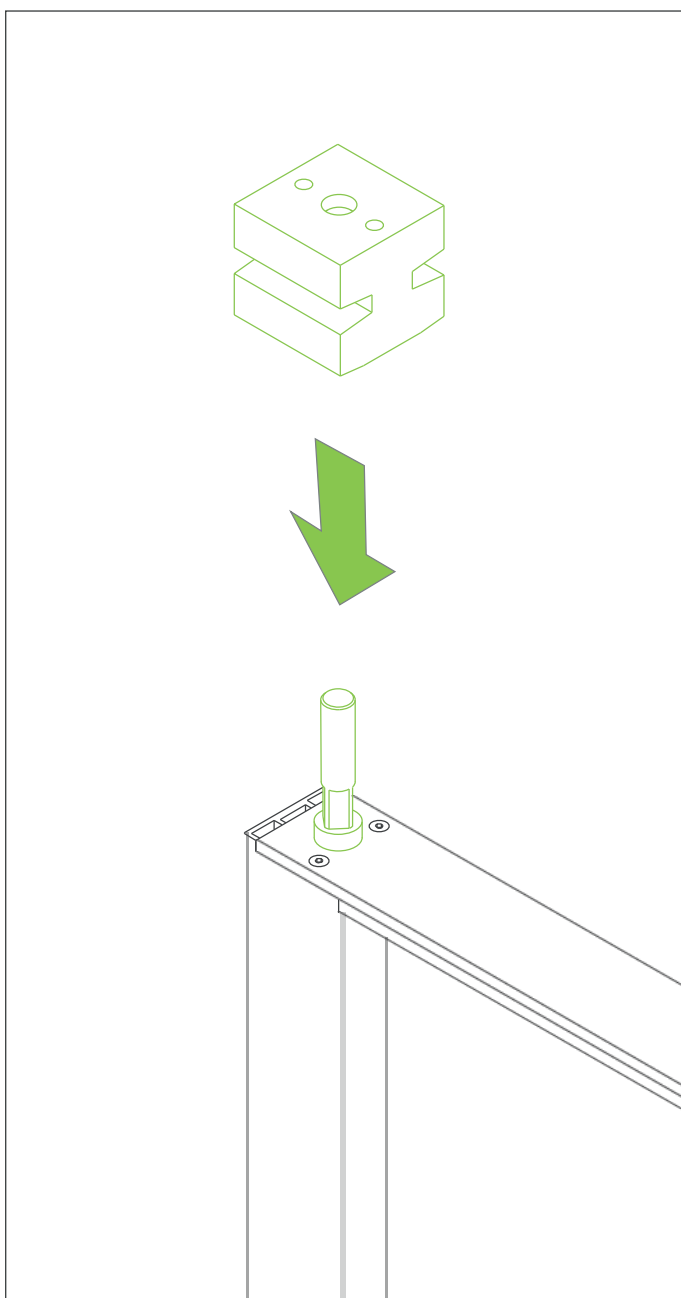


HARDWARE USED

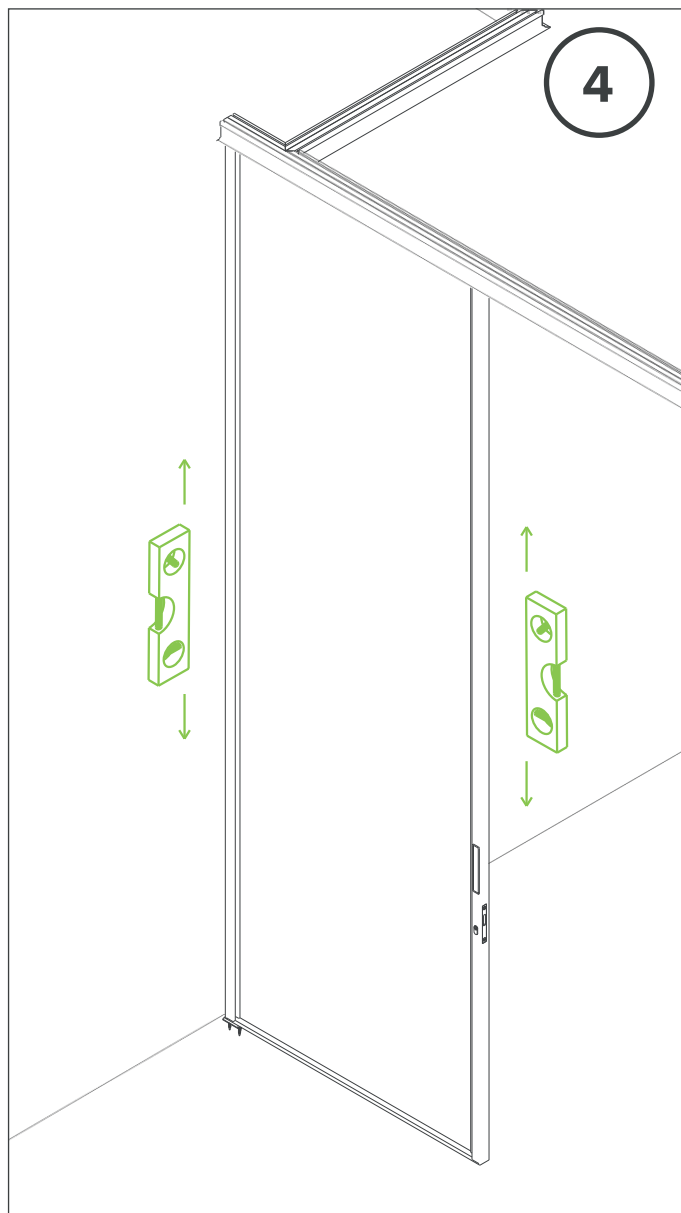


X 1

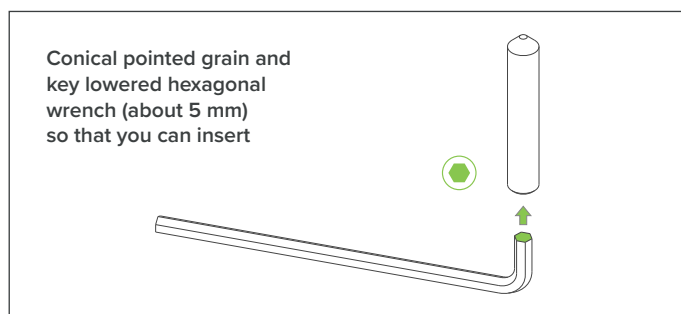
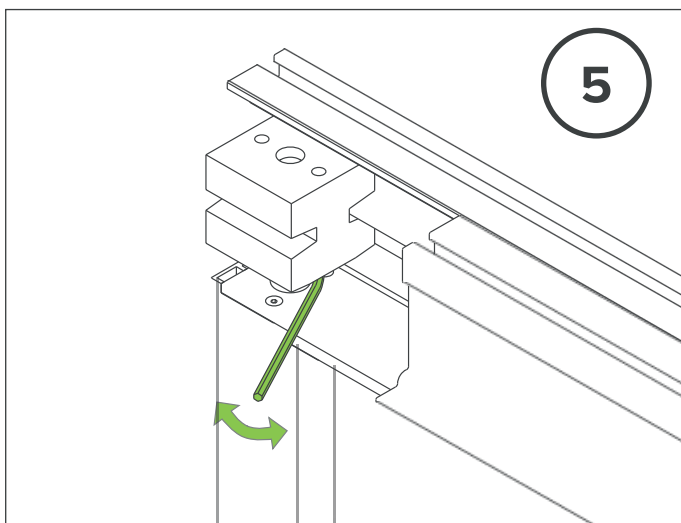
COD.  
03801.06050



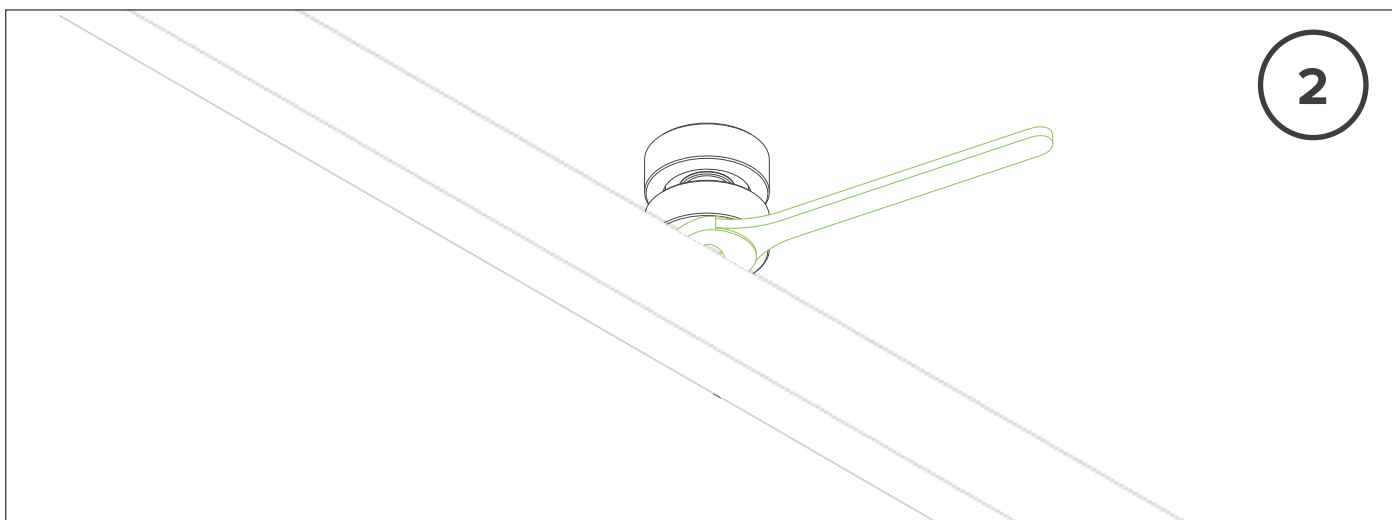
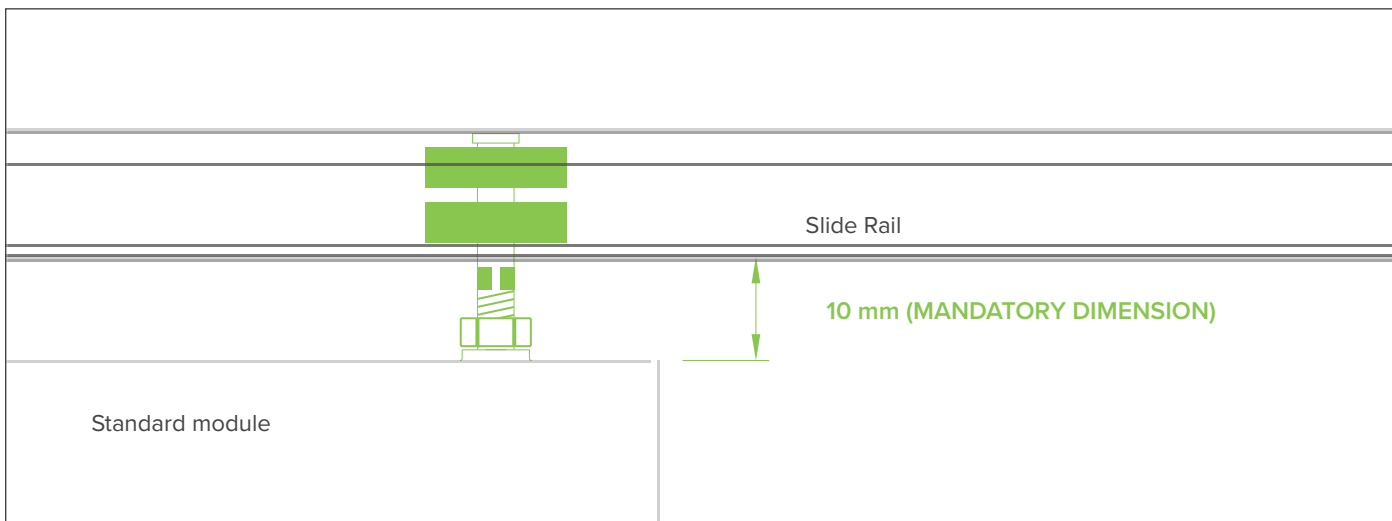
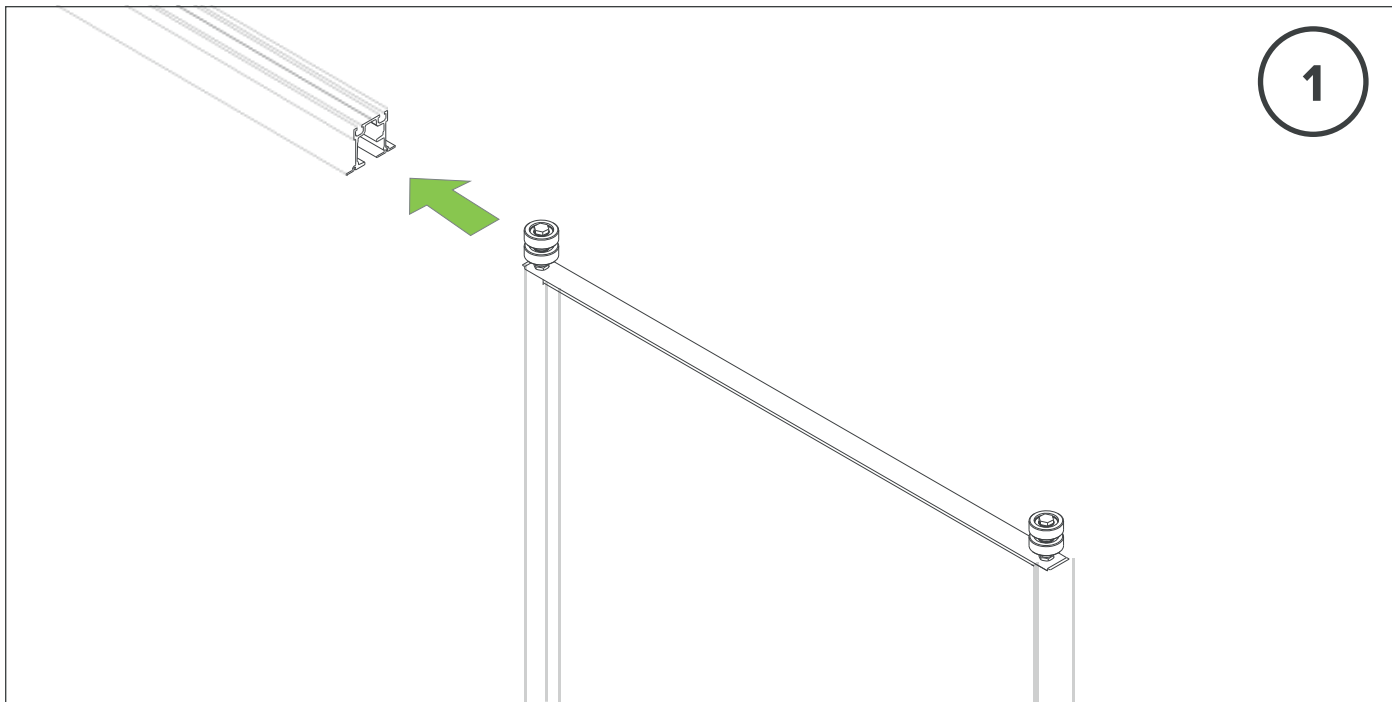




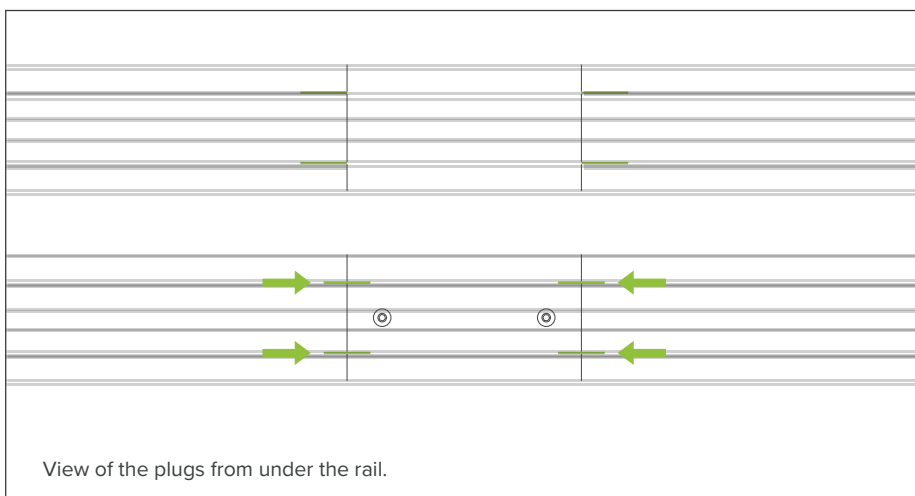
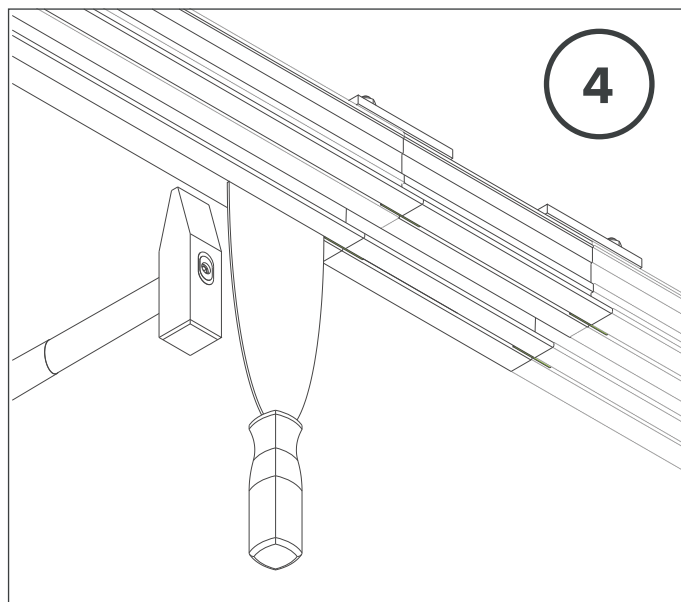
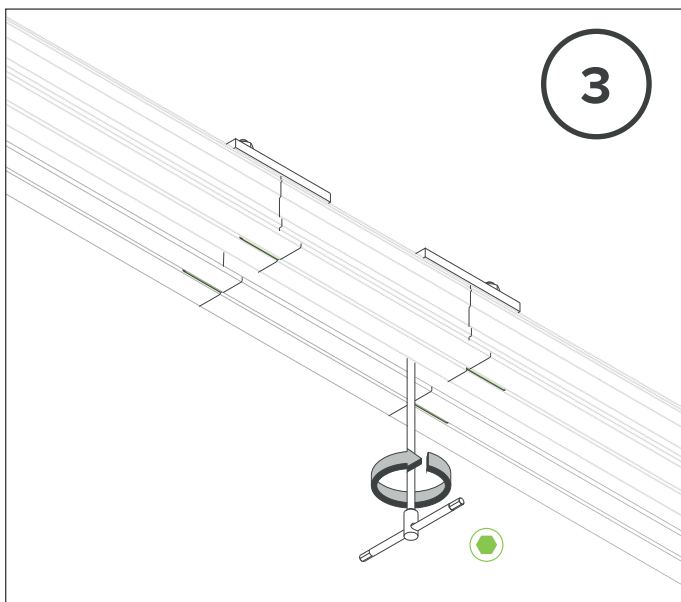
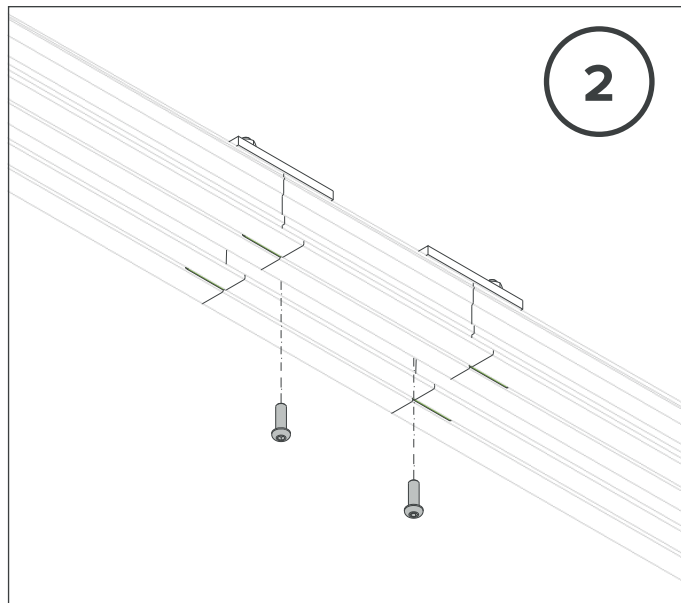
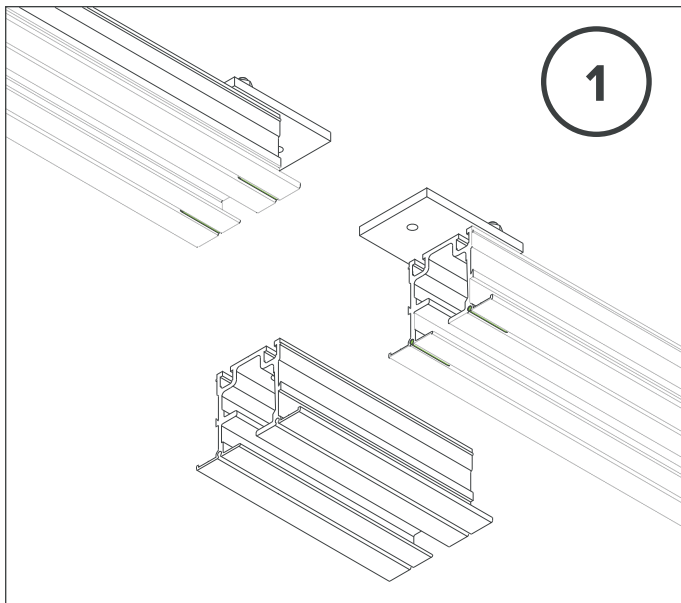
The module must be plumb on both axes in both cases before attaching the block.



## STANDARD AND SUBSEQUENT MODULE ASSEMBLY

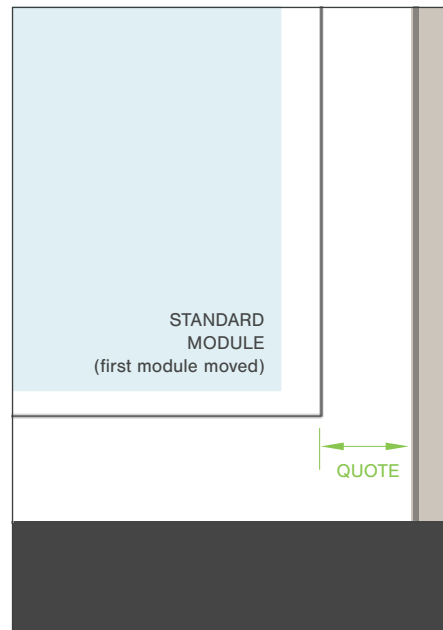
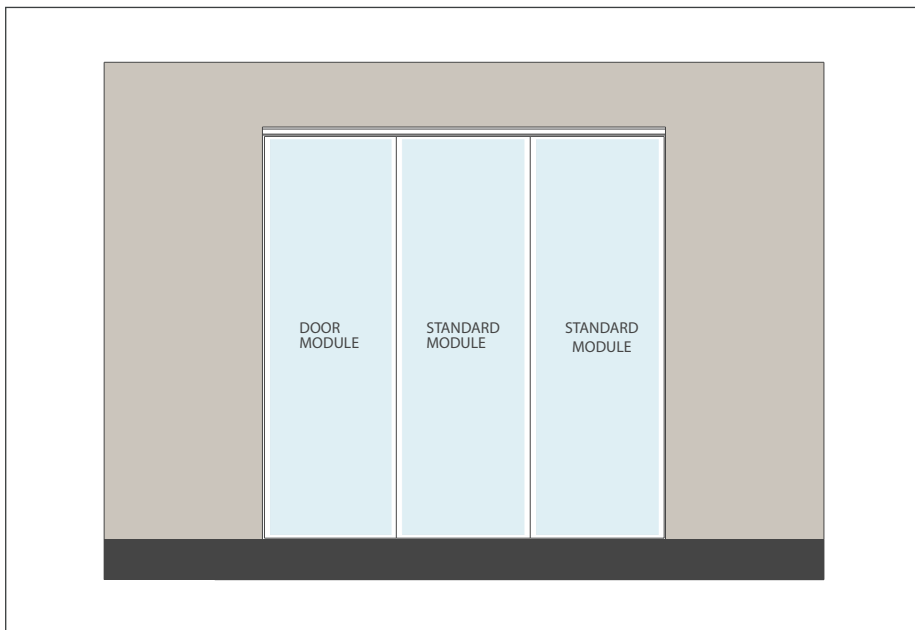


### REPOSITION THE DEMOUNTABLE



## TEST THE CORRECT FUNCTIONING

Once you have finished assembly, check the wall for proper wall distension.



**QUOTE** = will be used to place the ground bushing in the first module

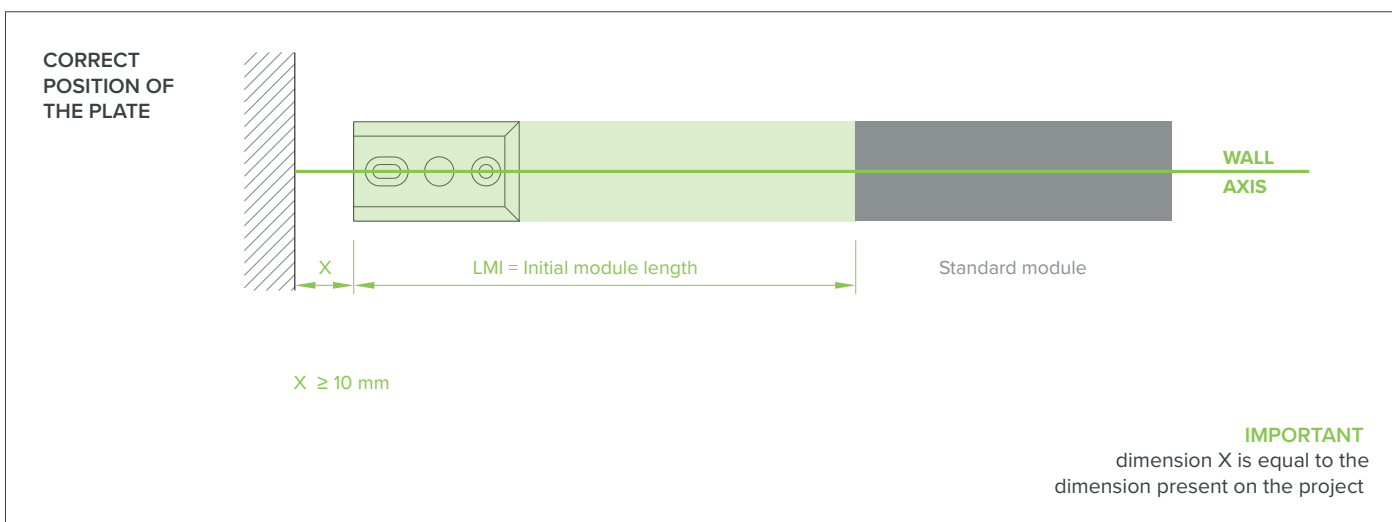


**WRONG** wall distension



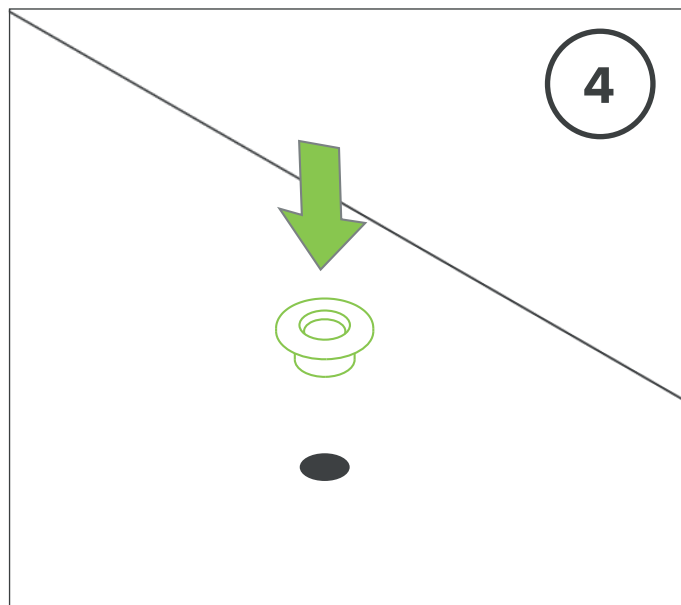
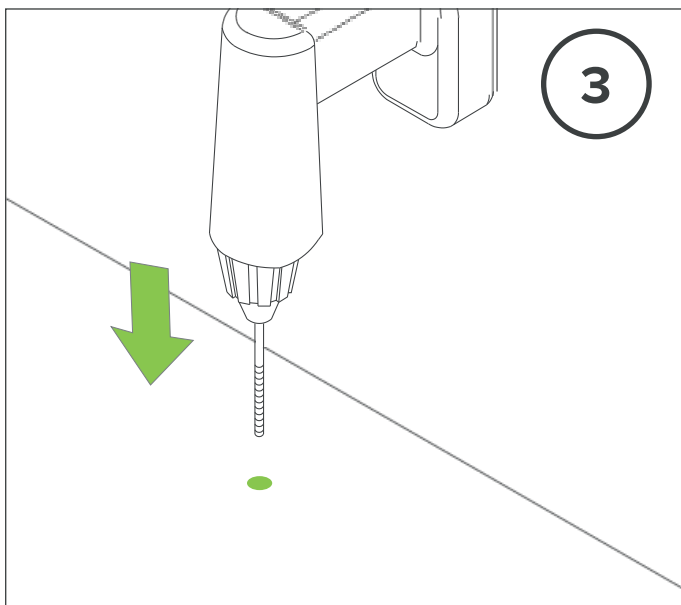
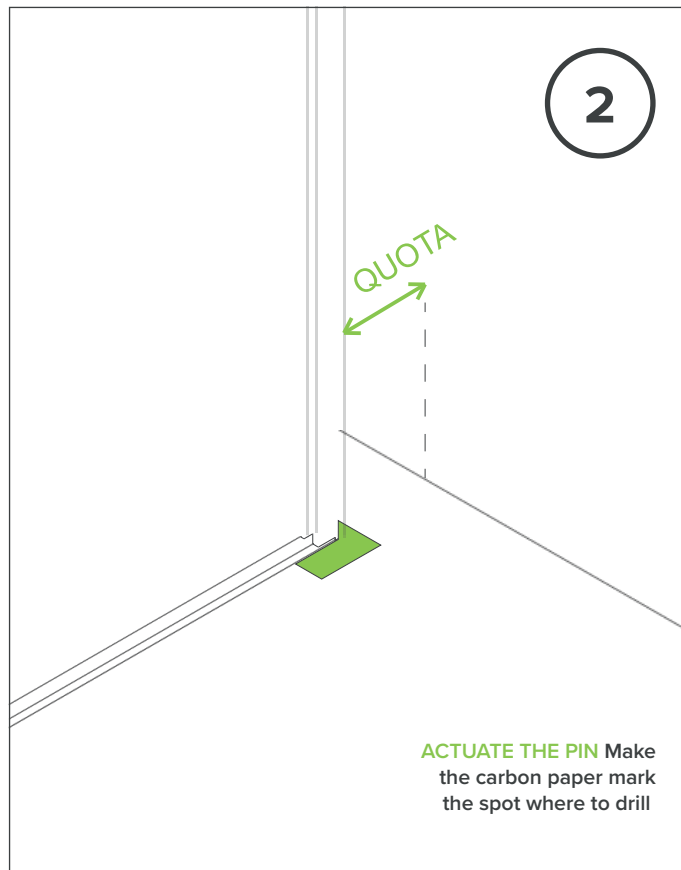
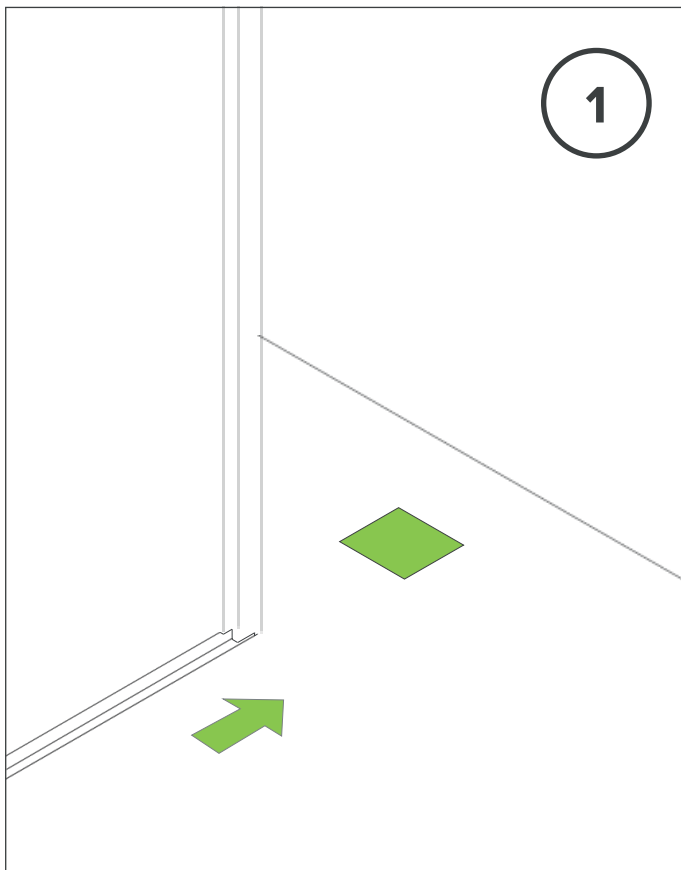
**CORRECT** distension of the wall

If distension problems occur, check the correct installation of the floor plate (PAG. 7).



## PLACE THE BUSHINGS ON THE FLOOR

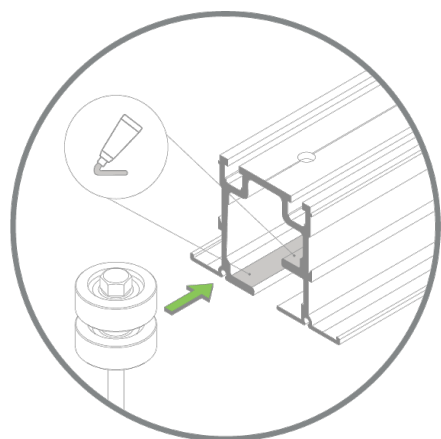
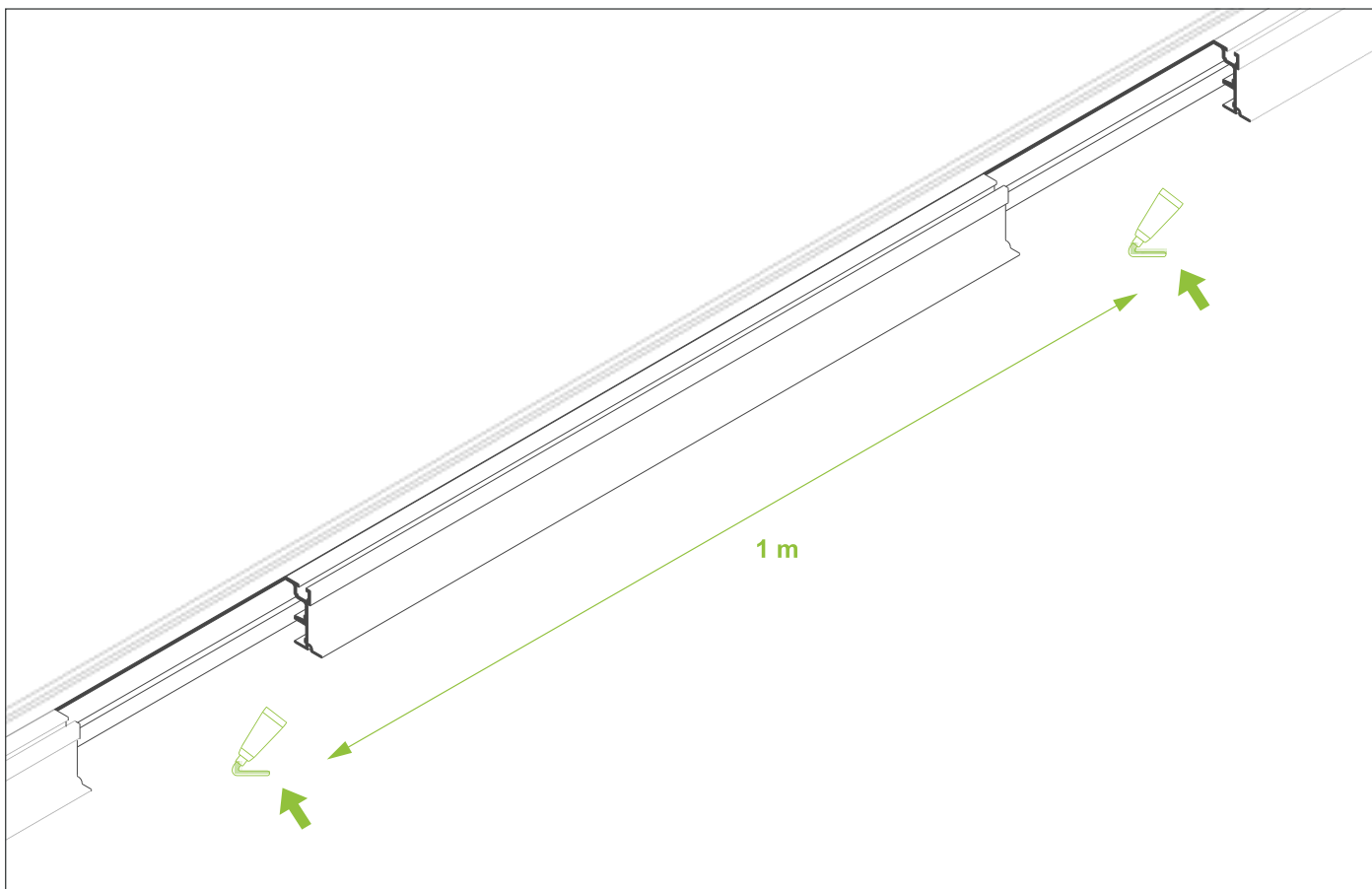
Following the steps place the bushings under the modules as designed:



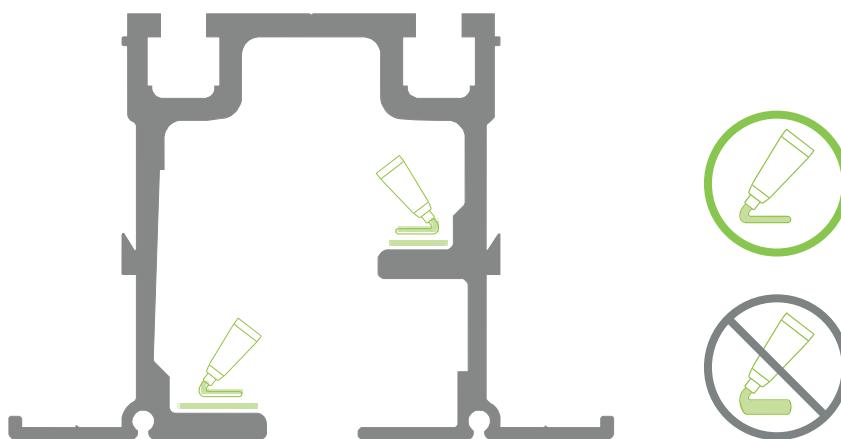
Check on the project which elements have the ground pivot and proceed with the steps listed above for subsequent modules

## RAIL LUBRICATION

Apply Vaseline at points about one meter apart.  
Then by operating the wall, the trolleys will distribute the lubricant within the entire rail.



Rail flaps where to spread the Vaseline



Section of the slide rail  
Where to spread the light layer of Vaseline

## USE AND MAINTENANCE

Before using the wall, read the manual carefully and keep it.  
Modules should be handled in the correct sequence.

### COMMERCIAL NAME

**AUREA la scorrevole impacchettabile** tipologia:  
parete scorrevole impacchettabile

### MATERIALS USED

#### Description

Wall sliding on the same axis, on an exclusively ceiling rail, packable, consisting of a series of modules independent of each other, magnetized to each other.

#### Frame

Aluminum frame, anodized 10-micron thick, powder-coated or liquid-coated according to the chosen color.

#### Glass

Laminated glass 44.1.

#### Panel

Chipboard panel, 16 mm thick, density 720 kg/sqm, CE, Fire Resistance Class B-s1, d0, Formaldehyde Emission Class E1, VOC free, inserted into the aluminum frame.

#### Slide rails

The rails are ceiling-mounted only and are made of aluminum painted white RAL 9010 20/30 Gloss.

### FINISHES

#### Frame

- Silver or champagne oxidized aluminum
- Painted RAL matte or metallic
- Painted in any RAL or NCS color

#### Glass

Float, extra-clear, satin-finished white, milk white, colored PVB, bronze, acid-etched bronze, reflective bronze, smoked, acid-etched smoked, reflective smoked, flute, fabric or wire mesh laminated glass.

#### Panel

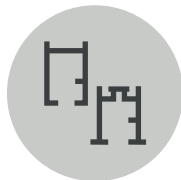
- Covered in CPL White, Ivory, Gray
- HPL Colours series
- HPL wood veneer series
- Coated in laminate Polaris series
- HPL coated in Blackboard series
- Covered in HPL magnetic and writable
- Lacquered coating 20/30 gloss

### PRECAUTIONS FOR USE

Evitare usi impropri e non consoni al prodotto. Eventuali manomissioni o installazioni non rispondenti alle istruzioni del produttore potrebbero compromettere la conformità del prodotto.

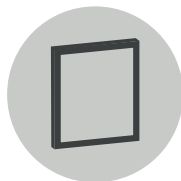
### MAINTENANCE

After about 12 months from the date of installation, check the tightening of the hardware of the various components as well as the lubrication of the carriages. To maintain a perfect sliding of the modules, it is advisable to provide a cleaning of the sliding rail, at least once a year with specific products for aluminum. Upon the occurrence of any minor malfunction, it is mandatory to carry out extraordinary maintenance, which must be performed immediately and in a workmanlike manner.



#### SLIDE RAIL

To clean the rail, use products specifically for aluminum. To maintain perfect sliding of the modules, it is advisable to put a light coat of Vaseline on the two fins of the rail, at least once a year.



#### FRAME

When cleaning aluminum profiles, use products specifically for aluminum. Do not use solvents or abrasive pastes as they may cause them to lose their shine or be irreparably damaged. Aluminum profiles should not be subjected to shocks or blows: incorrect use of the maneuverable wall can cause aluminum profiles to deform, reducing their handling performance.



#### PANELS

For cleaning CPL and HPL surfaces, use furniture-specific neutral products, while for veneer use wood-specific neutral products. For lacquered surfaces, use clean, dry cloths. Infill panels should remain away from moisture.



#### GLASSES

Use specific glass products for cleaning glass. Keep the glass dry at all times and periodically check the seals between the glass and panel for wear.

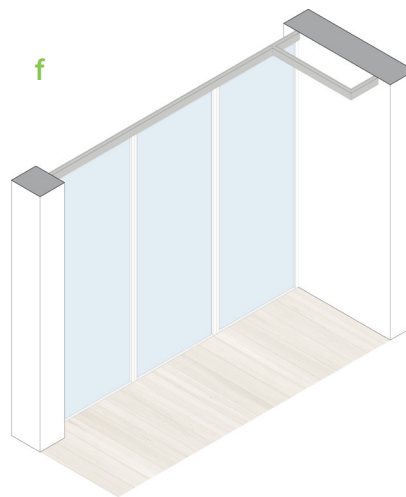
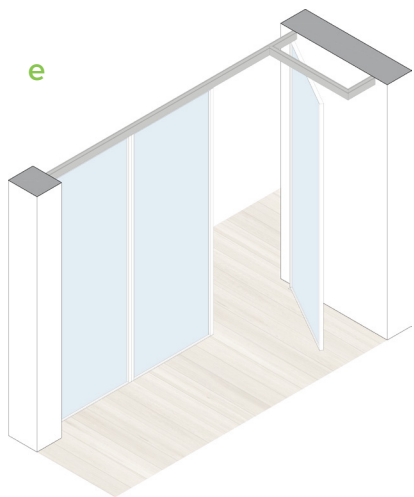
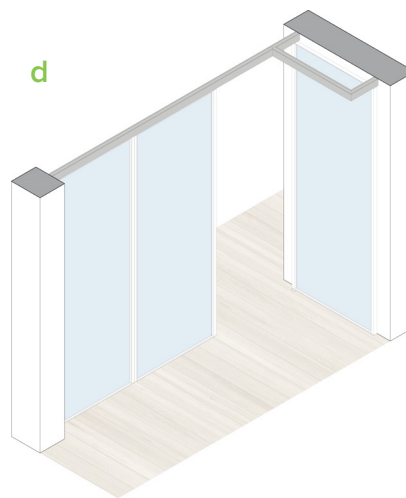
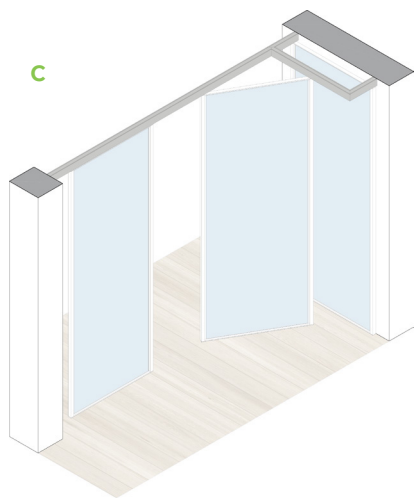
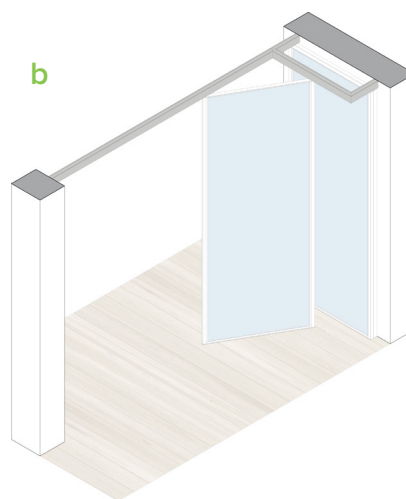
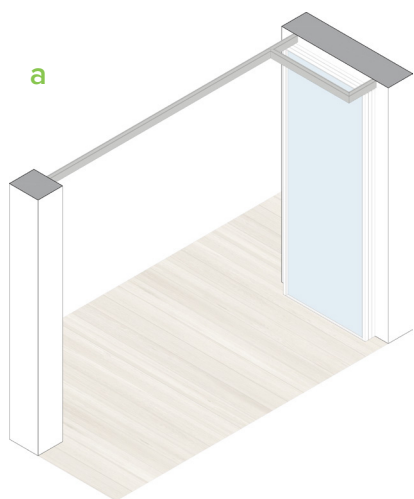
WALL MOVEMENT

a) Handling from storage area to lying wall

1. Stand facing the packed wall.
2. Grasp the first module with two hands and slide it. 3. Bring the module into position, releasing the pin on the side verifying proper insertion into the floor bushing.
3. Repeat step 2 for each module, excluding the module preceding the door.
4. Bring the module preceding the door into position, release the pin on the side, verifying proper insertion into the floor bushing.
5. Close the door module.

b) Handling from lying wall to storage area

1. Open the door module.
2. Unlock the pin on the side of the module next to the door, then move it to the storage area.
3. Grasp the following modules and move them to the packing, excluding the last module.
4. Unlock the pin on the side of the last module and move it to the bundling area.





**INSTALLATION, USE AND MAINTENANCE MANUAL - AURA**

**EN**

This document is protected by copyright and intended exclusively for internal use. It is prohibited to make this document available to third parties, to reproduce it by any method or in any form - including extracts - and/or to utilise or communicate the content for any purpose other than internal use without the written consent of CARVART.

**CARVART®**

1441 Broadway floor 28,  
New York, NY 10018  
(212) 675-0030

[www.carvart.com](http://www.carvart.com)  
[info@carvart.com](mailto:info@carvart.com)

Follow us on   