



## INSTALLATION INSTRUCTIONS

glassFOLDWALL > Framed

VERSION 1.1

## Table of Contents

Required Tools	-----	1
Panel Assembly	-----	4
System Assembly	-----	12

Allen metric key set or use only the following three (3) allen keys:



5mm allen key



3mm allen key

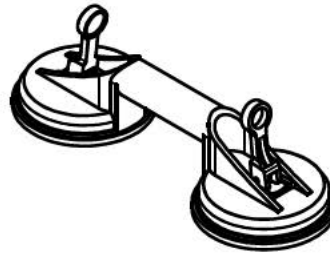


2.0mm allen key

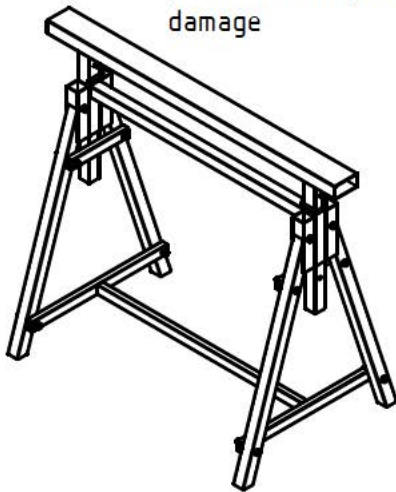
Measuring tape



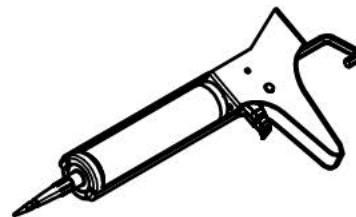
Suction cups

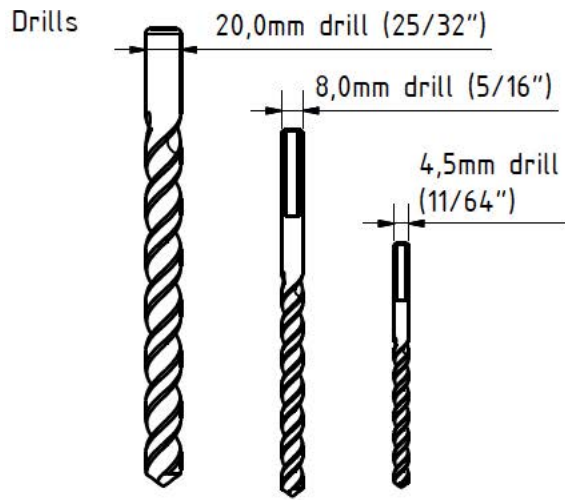


Saw horse with carpet or protected to prevent glass damage

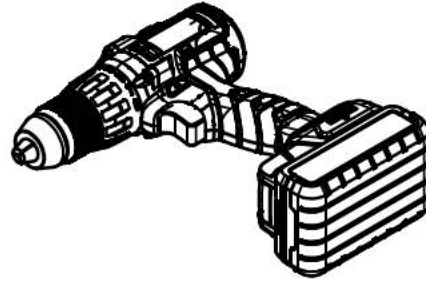


Silicone or RTV 408 gun





Portable drill machine  
(NOT impact drill)



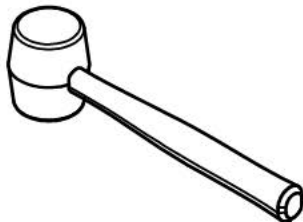
Screwdrivers  
Flat head & Philips



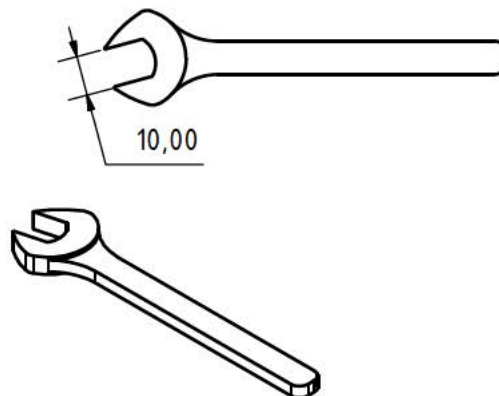
Knife



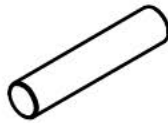
Rubber mallet



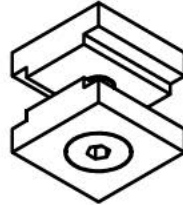
10mm Key



Top track connectors  
(4mm stainless steel pins)

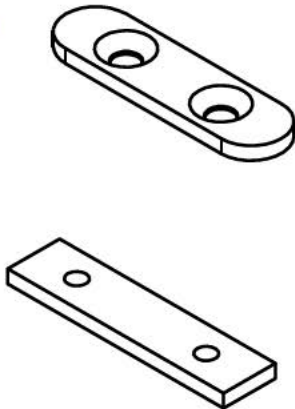


729.942 STOP

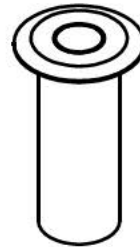


Top track connectors

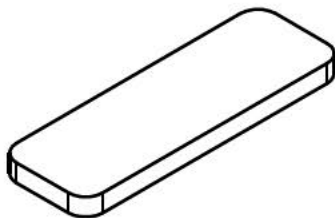
729.657



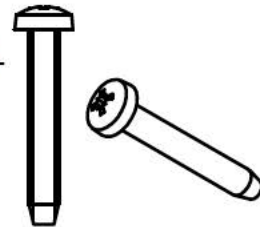
999.936 Lock casing  
(Dust-proof strike)



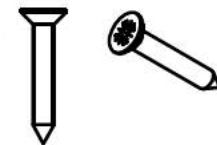
PLASTIC SPACER FOR GLASS

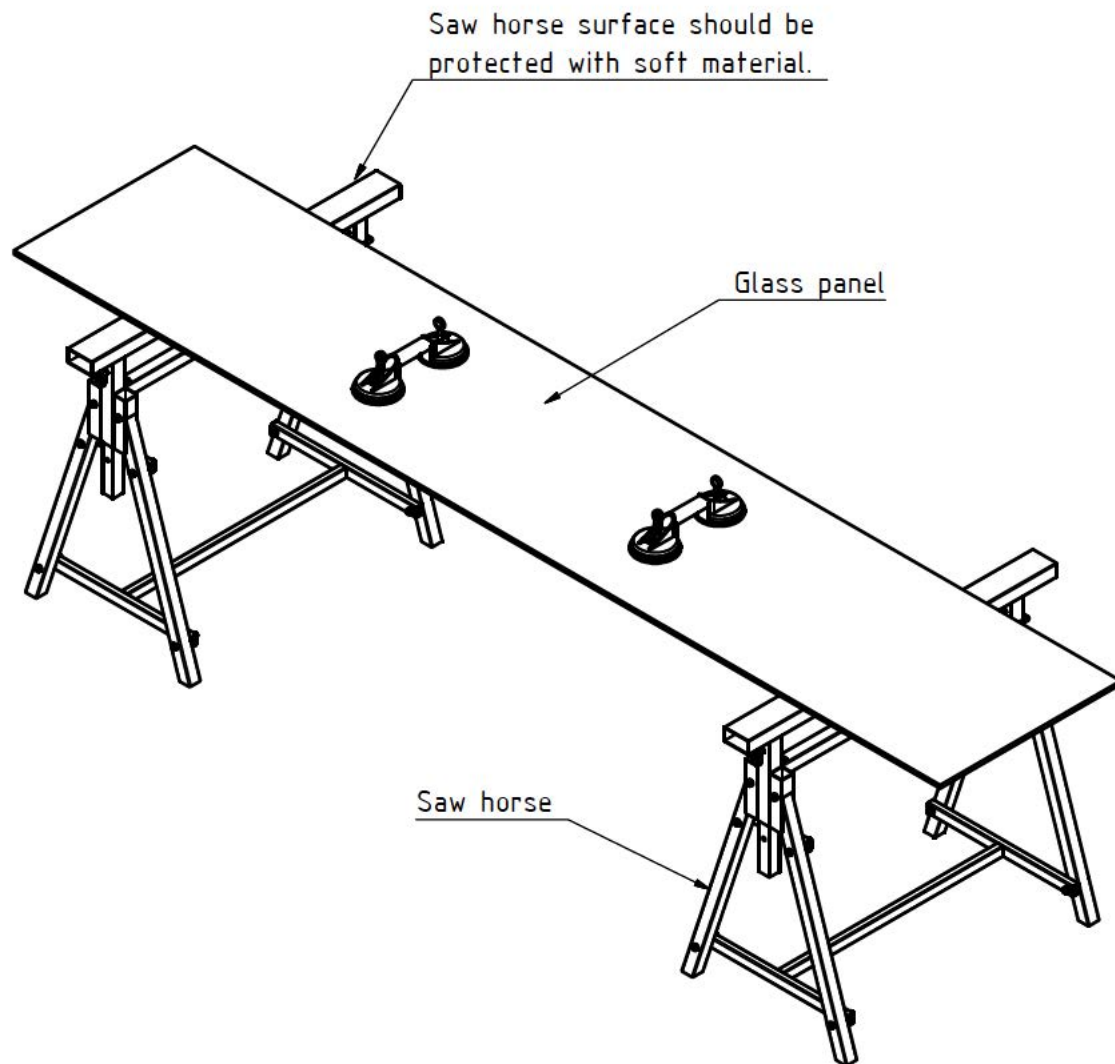


ST. STEEL SHEET METAL  
ROUND HEAD  
SCREWS 4.8x32



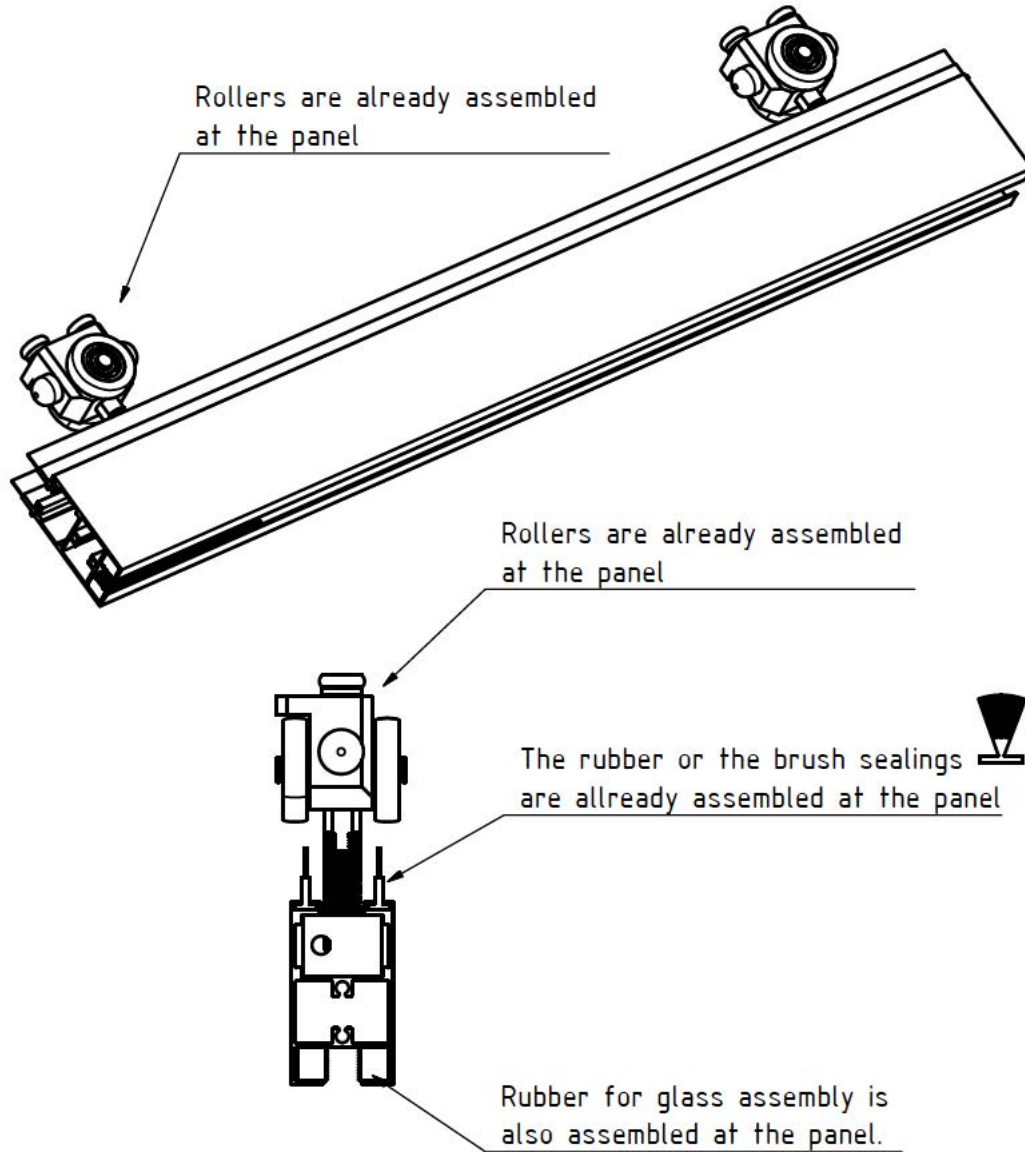
ST. STEEL SHEET METAL  
COUNTERSHUNK  
SCREWS 4.8x32





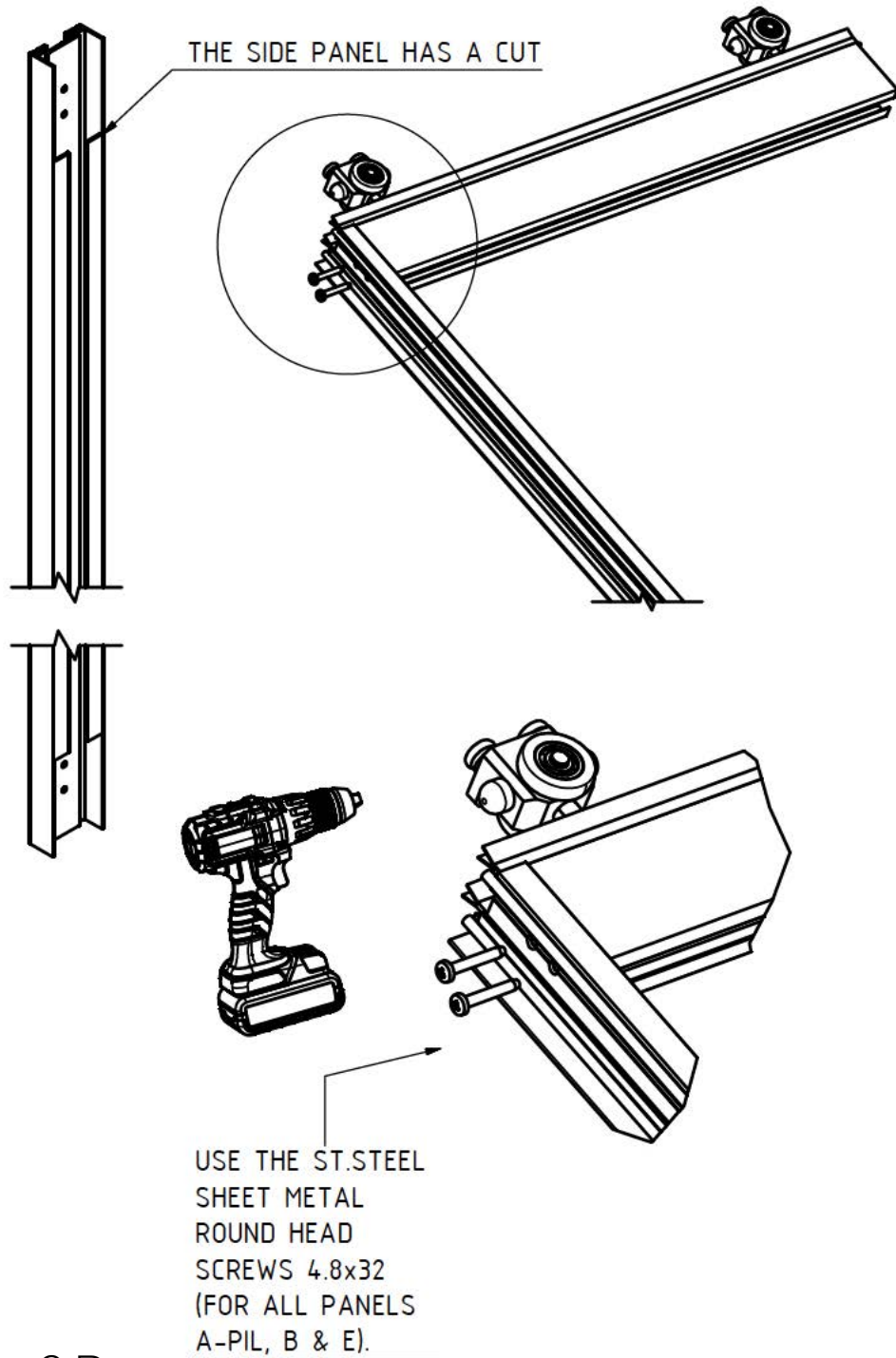
## STEP-1:

Place the glass on the saw horses. Make sure that the saw horse surface is protected with a soft material.



STEP-2:

Start from the upper panel. The panel is already assembled with either the rollers or the pivot if it is the opening door panel.

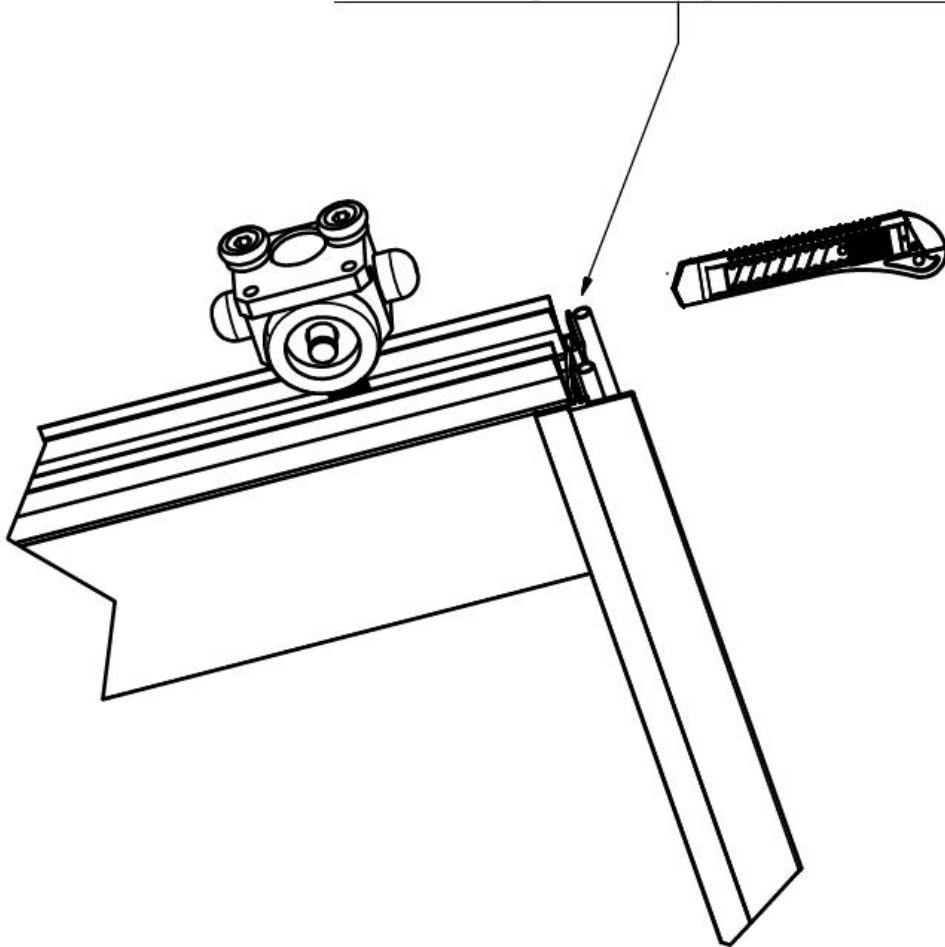


STEP-2B:

Assemble the side panel with the upper panel.

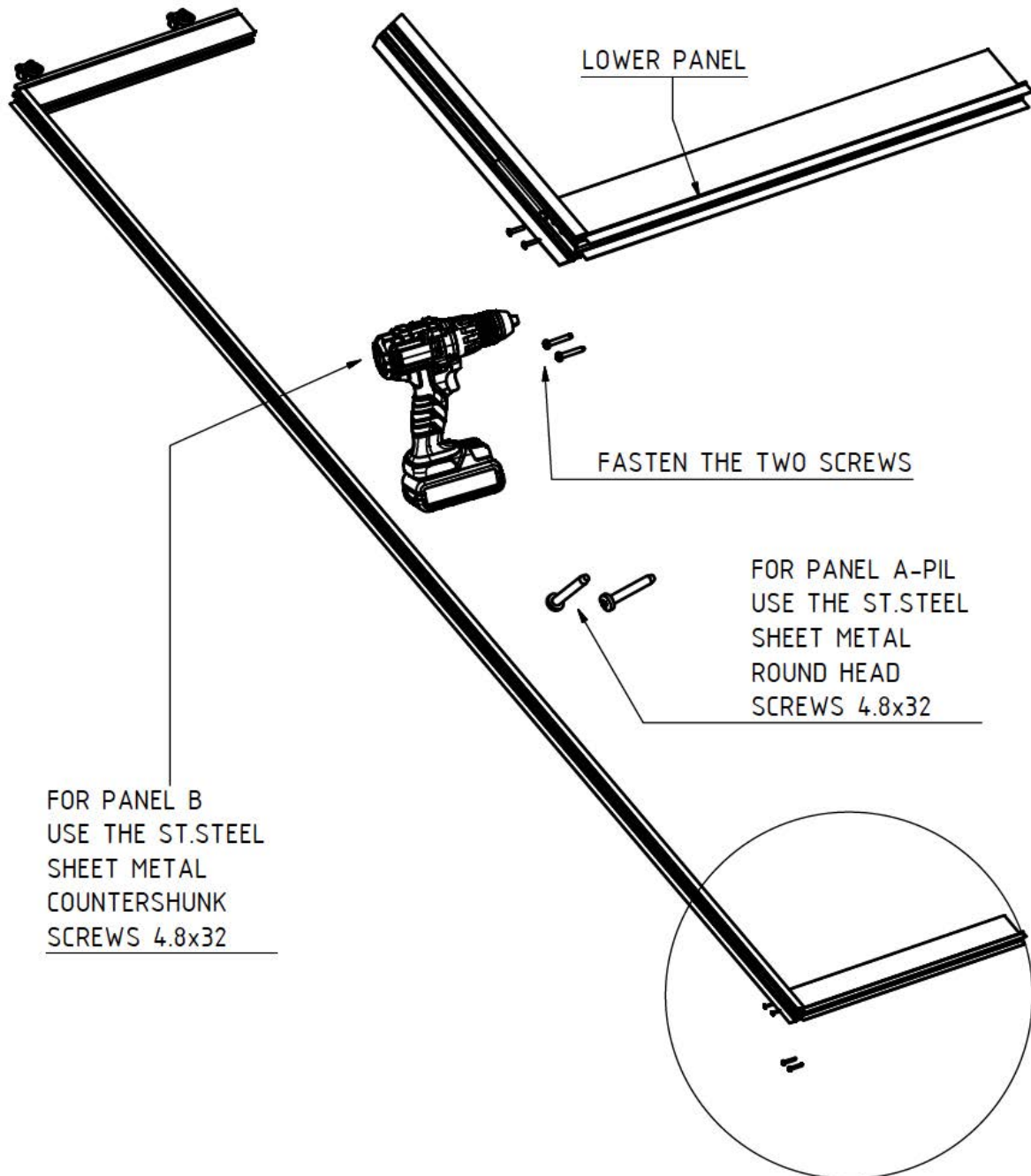


After the panel assembly use  
a cutter to remove the remaining  
rubber sealings at the edge of the assembly



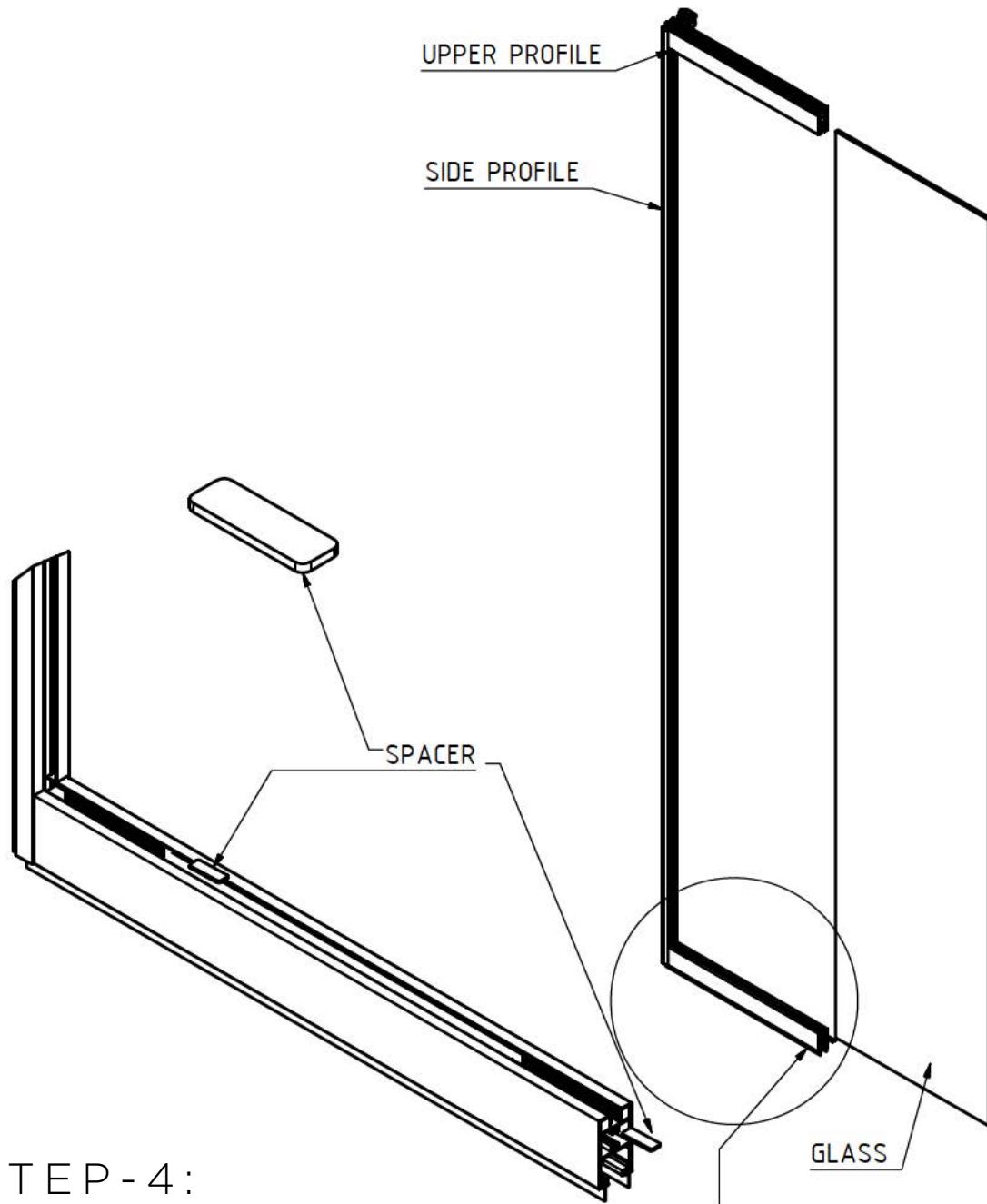
## STEP-2C:

Assemble the side panel  
with the upper panel.



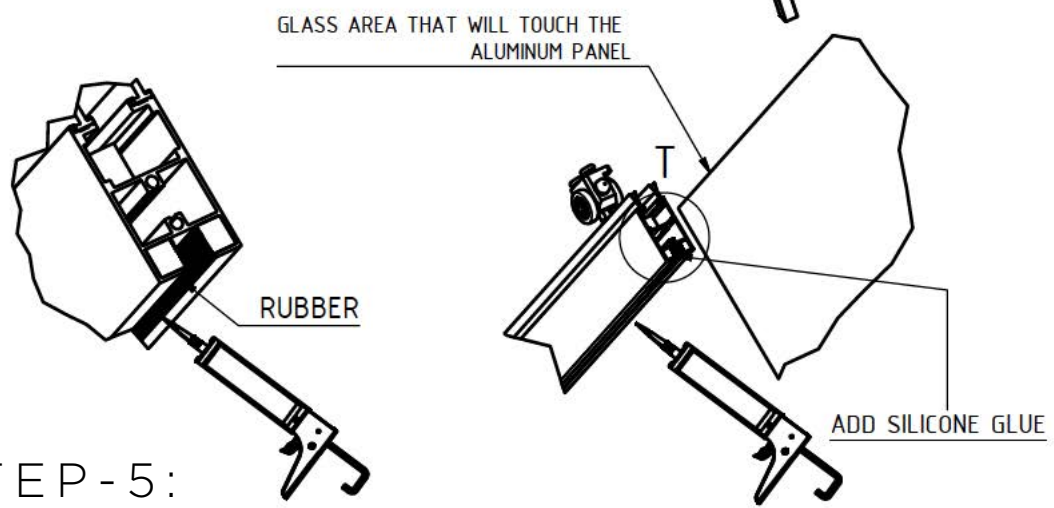
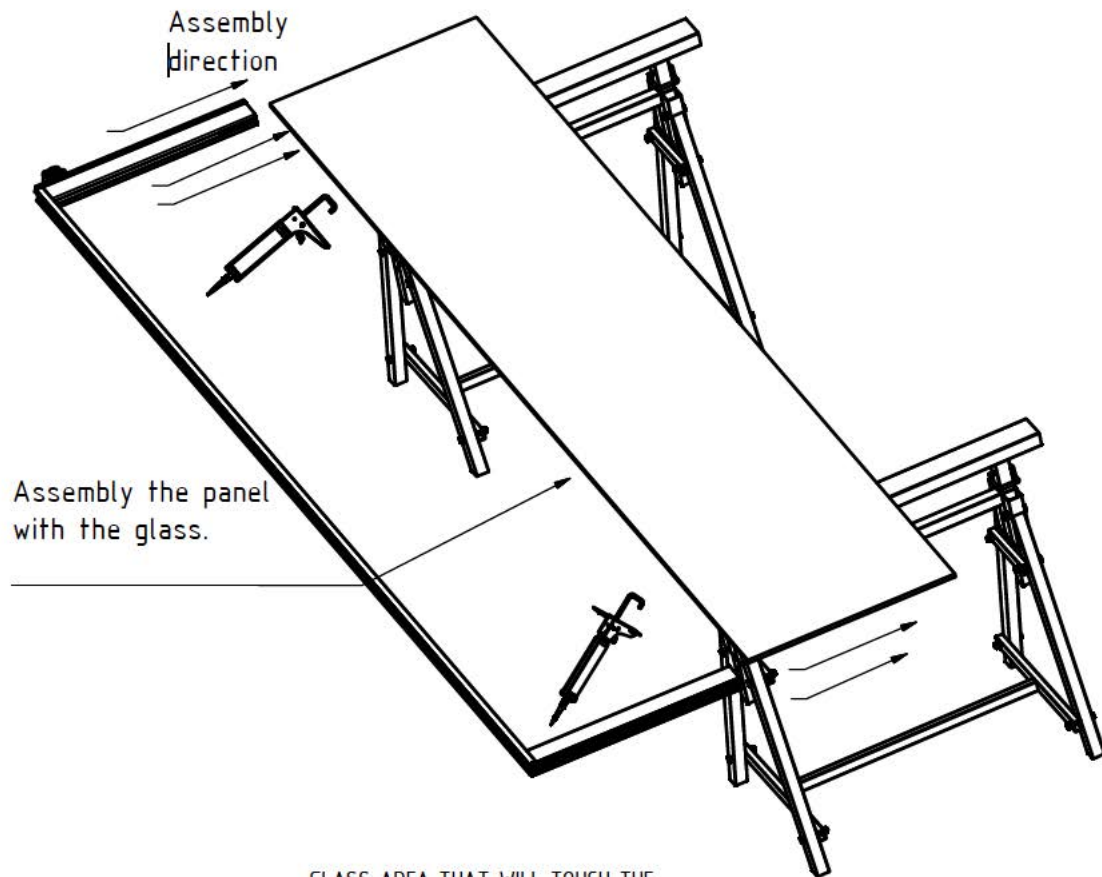
STEP-3:

Assemble the lower panel with the side panel.



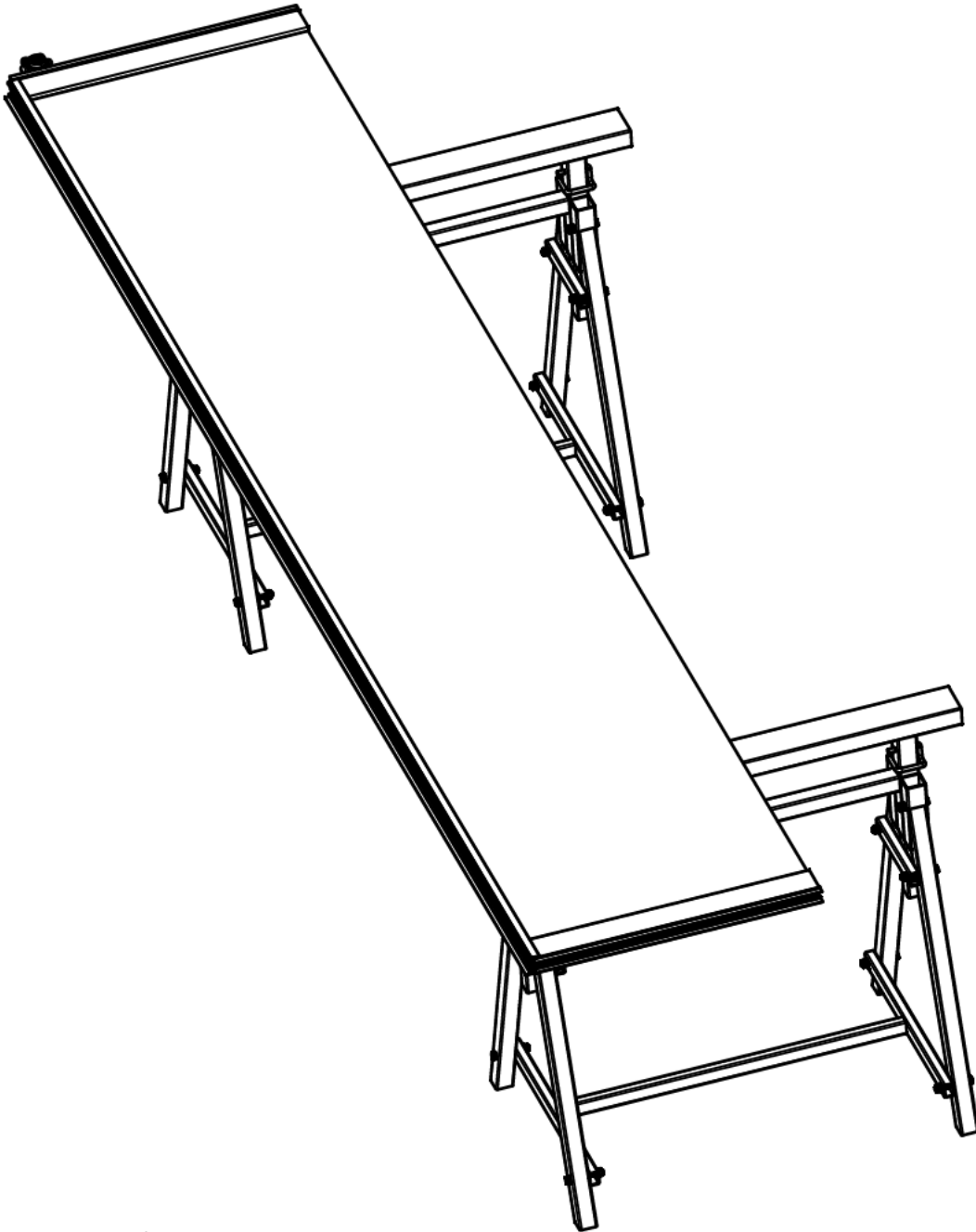
#### STEP-4:

Put at the bottom panel-A two (2) plastic spacers of 2mm thickness at the two edges of the panel so that the glass will not touch the aluminum profile.



STEP-5:

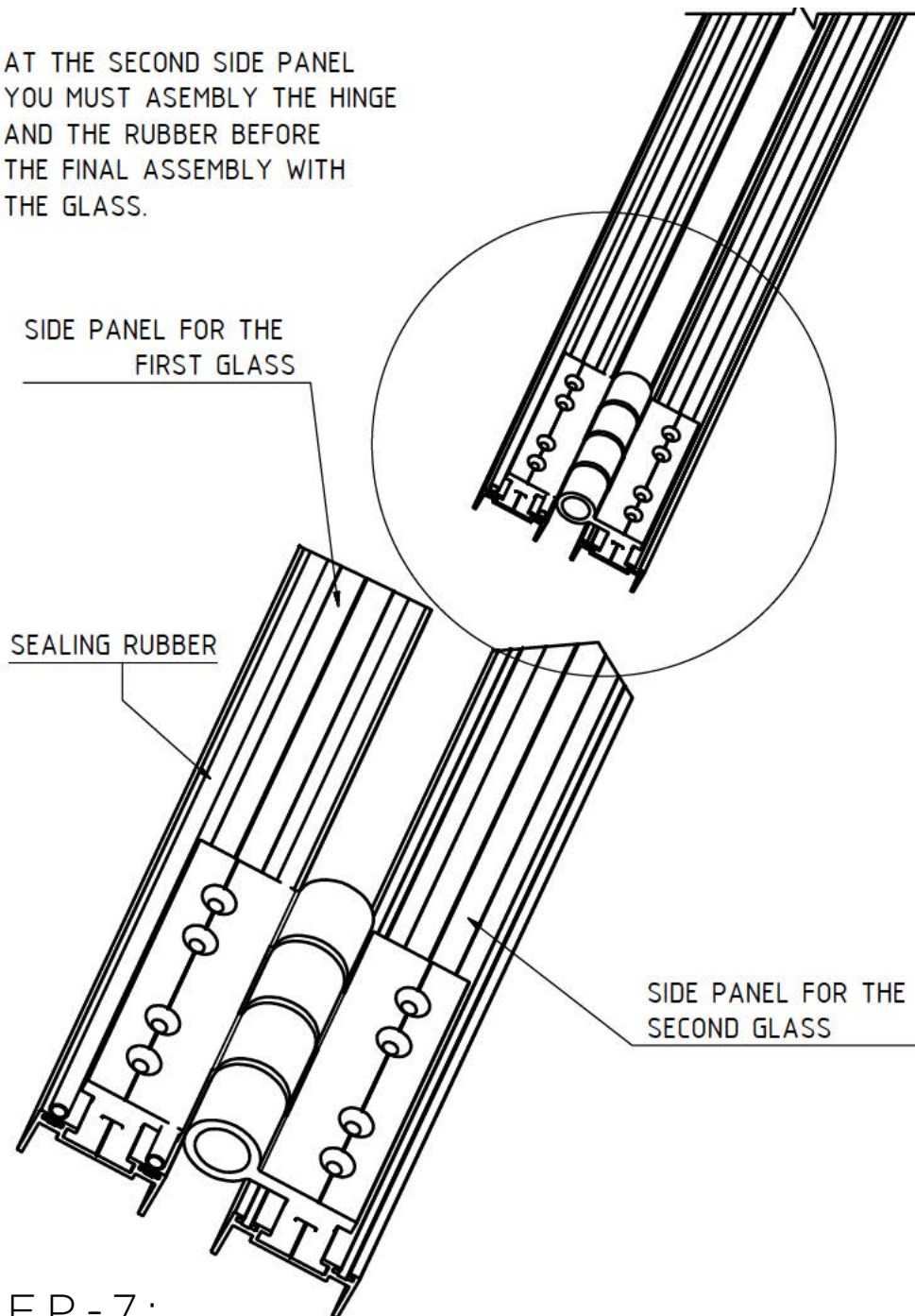
Assemble the panels with the glass.  
 Before the assembly silicone glue has to be applied to ALL of the panels.



STEP-6:

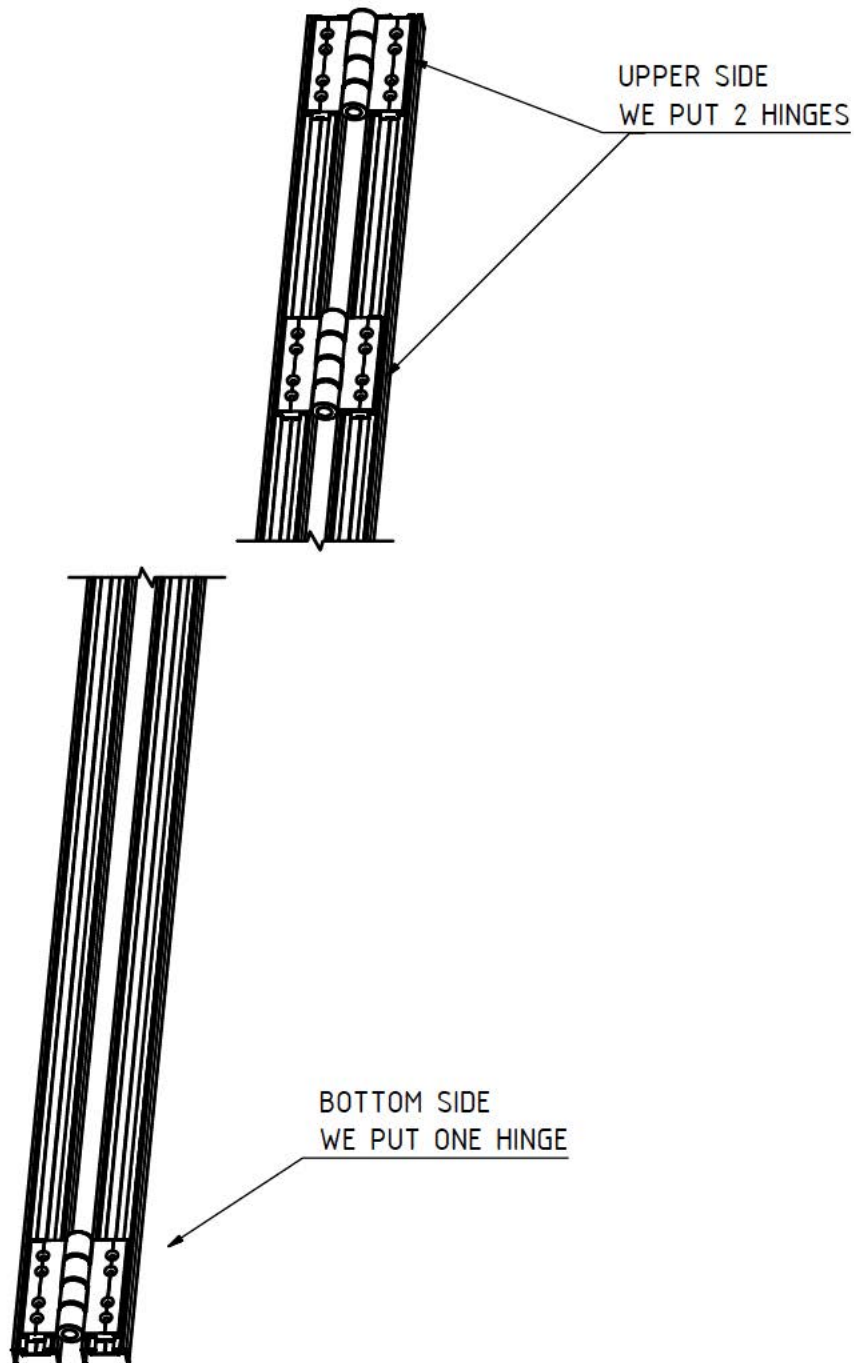
3 Panels are assembled  
with the glass panel.

AT THE SECOND SIDE PANEL  
YOU MUST ASSEMBLY THE HINGE  
AND THE RUBBER BEFORE  
THE FINAL ASSEMBLY WITH  
THE GLASS.



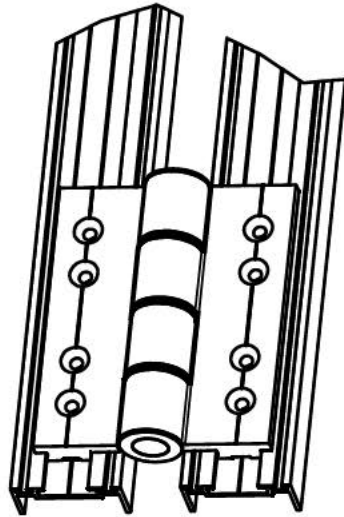
STEP-7:

PREPARATION FOR  
THE ASSEMBLY  
OF THE SECOND SIDE  
PANEL.

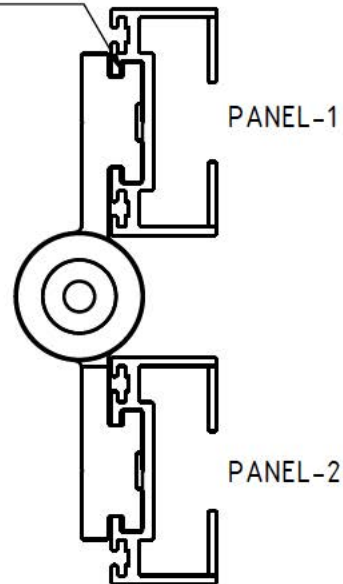


### STEP-8:

Take (2) two side panels  
and (3) hinges.  
THE PANELS SHOULD  
NOT HAVE RUBBER  
SEALINGS IN THEM



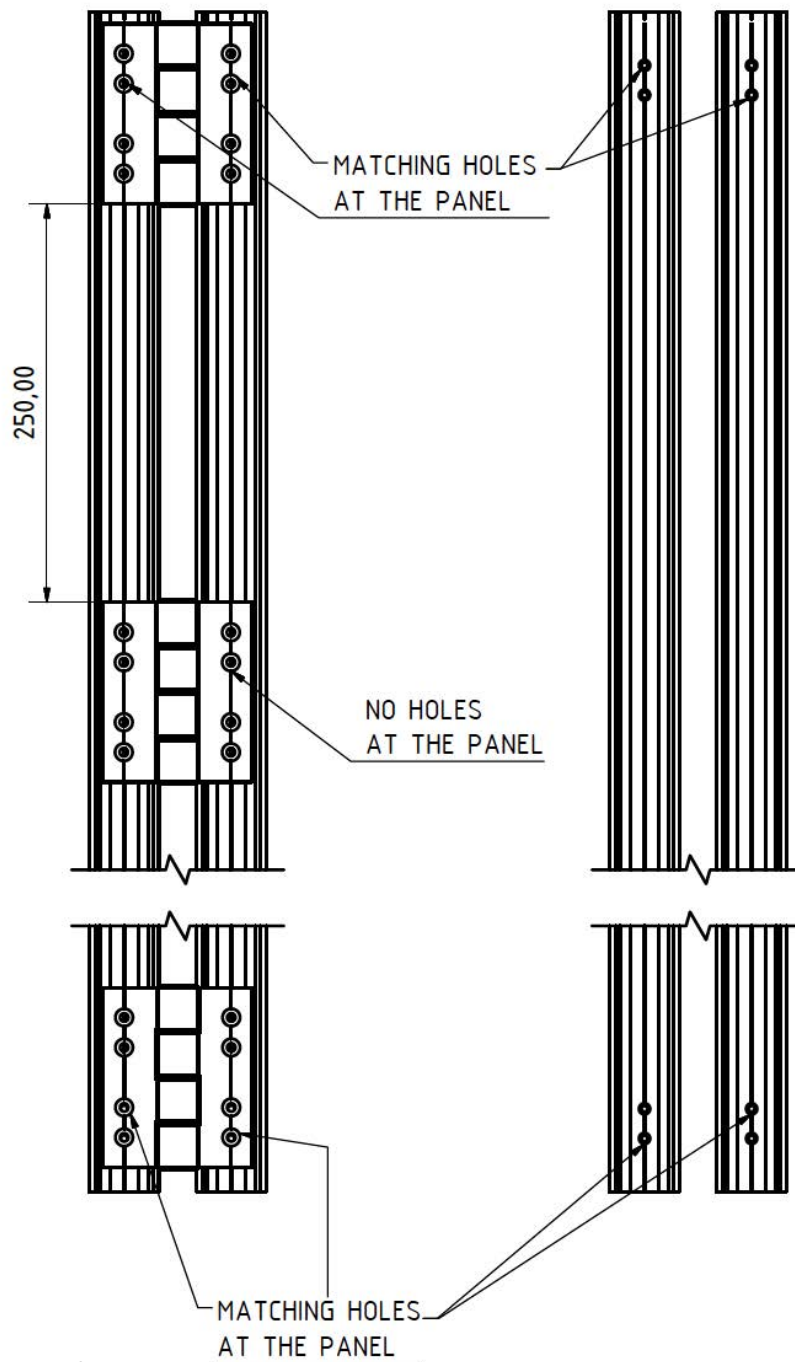
ASSEMBLY GEOMETRY



## STEP-9:

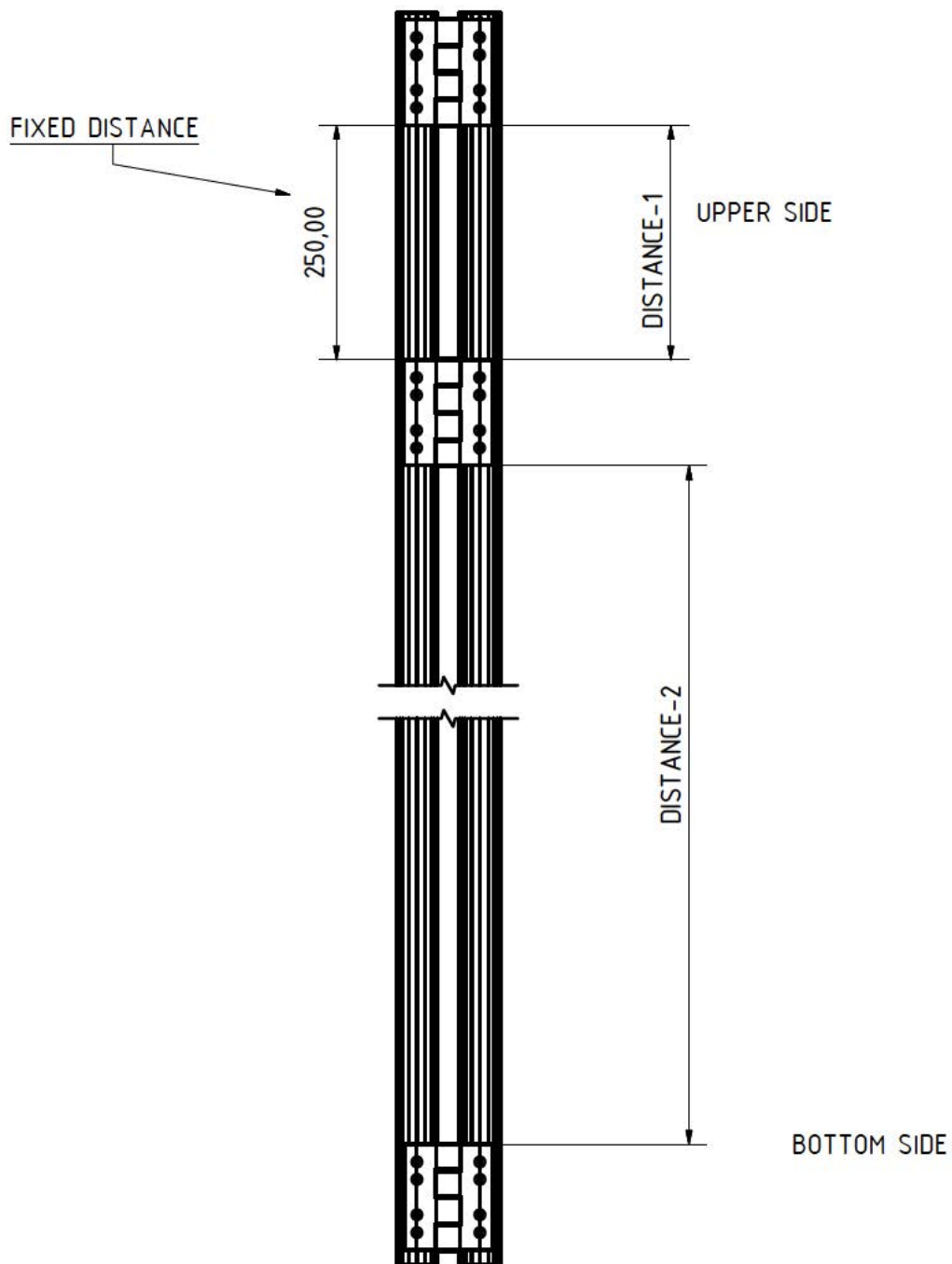
Insert the hinges into the panels.  
THE PANELS SHOULD NOT HAVE RUBBER SEALINGS IN THEM





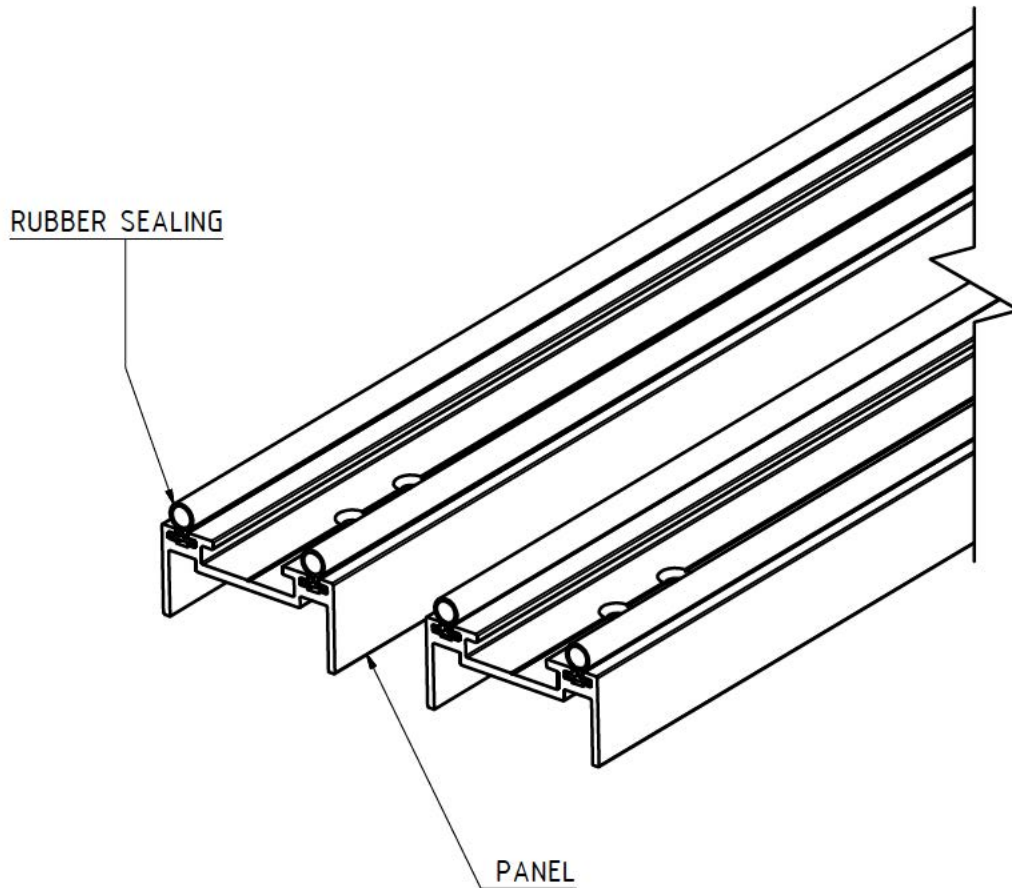
STEP-10:

Place the hinges into the panels at the specific positions. THE PANELS SHOULD NOT HAVE RUBBER SEALINGS IN THEM.



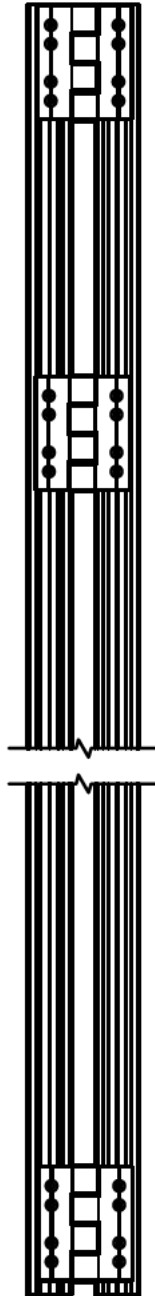
### STEP-11:

Measure the distances between the hinges. The rubber sealing must be cut at this length in order to assembly it into the panels.



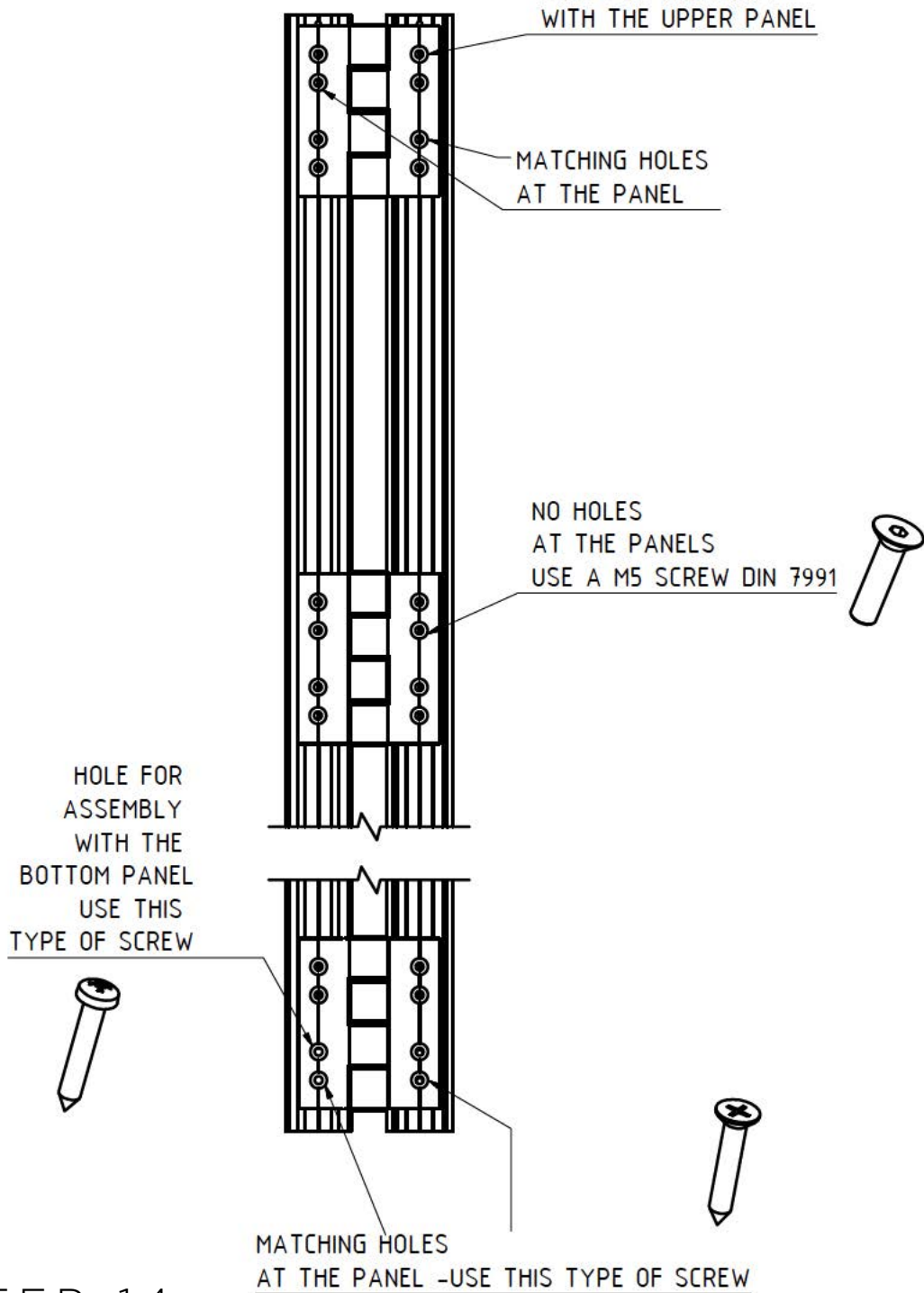
## STEP-12:

Remove the hinges and insert at the panels the rubber seailing pieces that had been cut at the suitable lengths. THEN ASSEMBLE THE HINGES INTO THE PANELS.



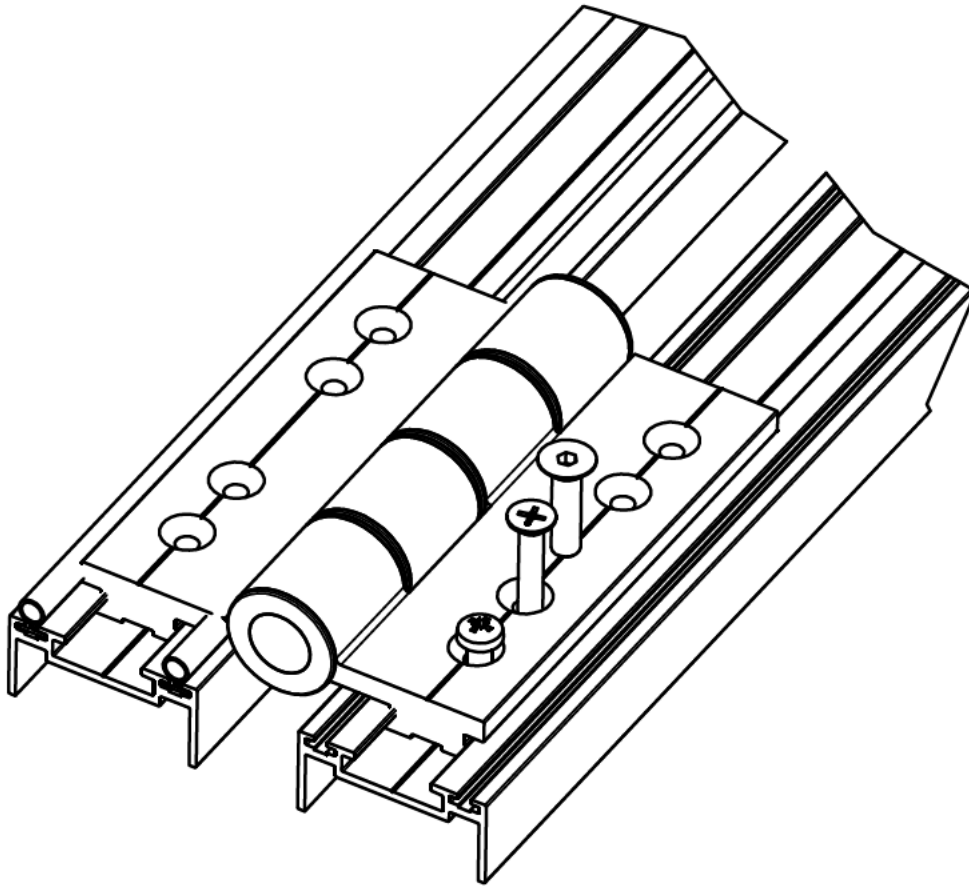
STEP-13:

TWO (2) PANELS WITH  
HINGES AND RUBBER  
SEALINGS



STEP-14:

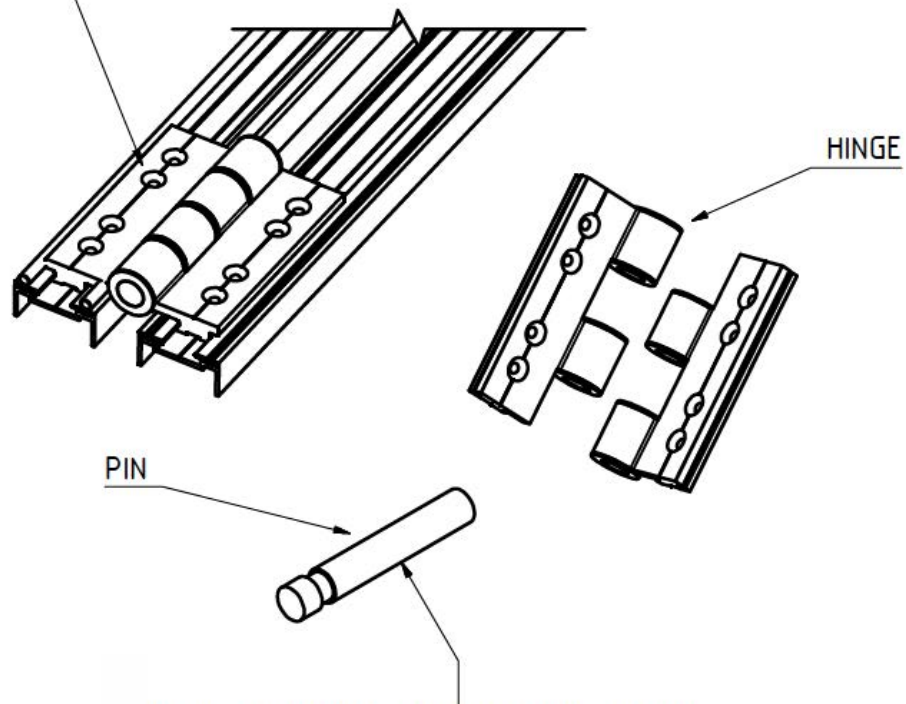
Assembly of the hinges at the panels.



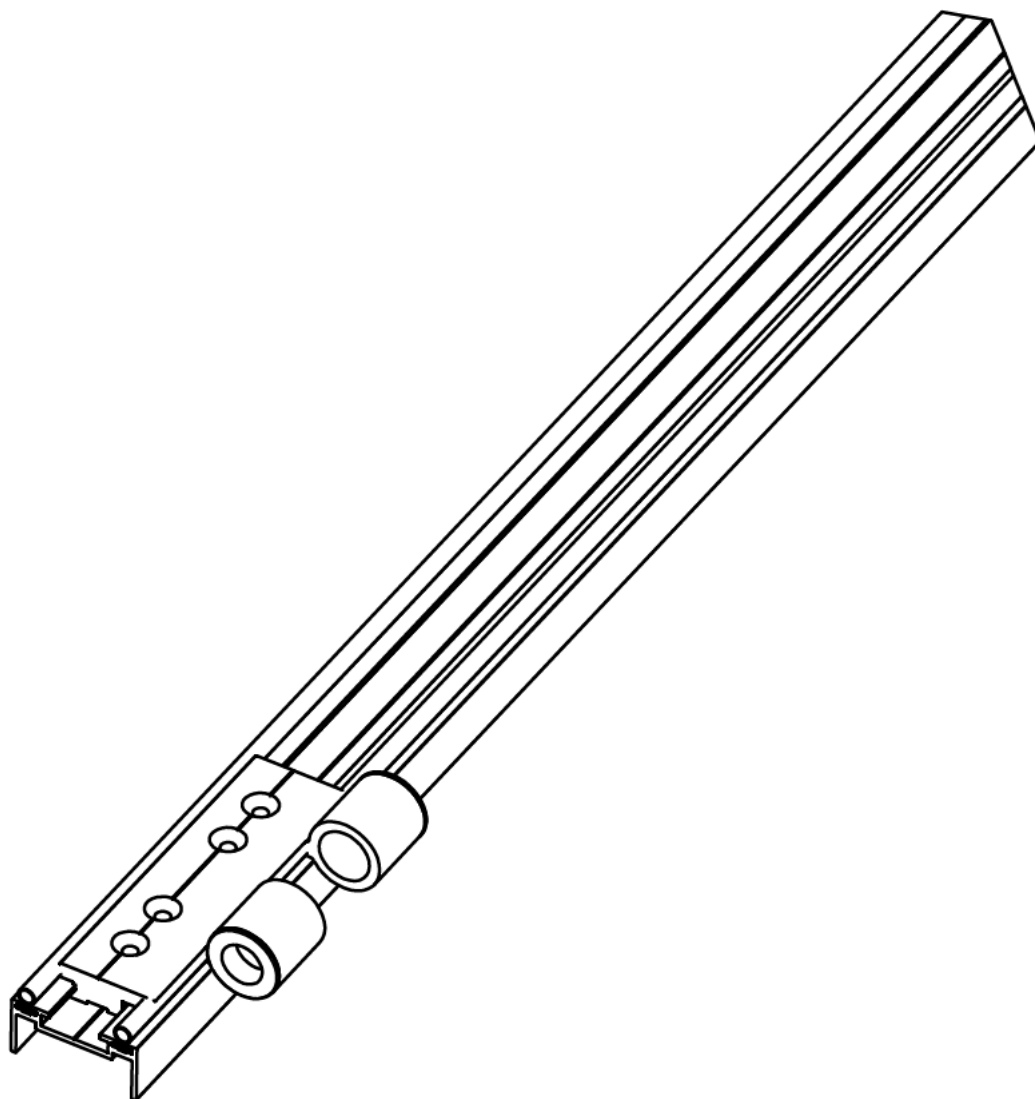
STEP-15:

ASSEMBLY OF THE HINGES AT  
THE PANELS  
Screw placement and assembly

HINGES FIXED AT THE PANEL  
WITH THE SCREWS



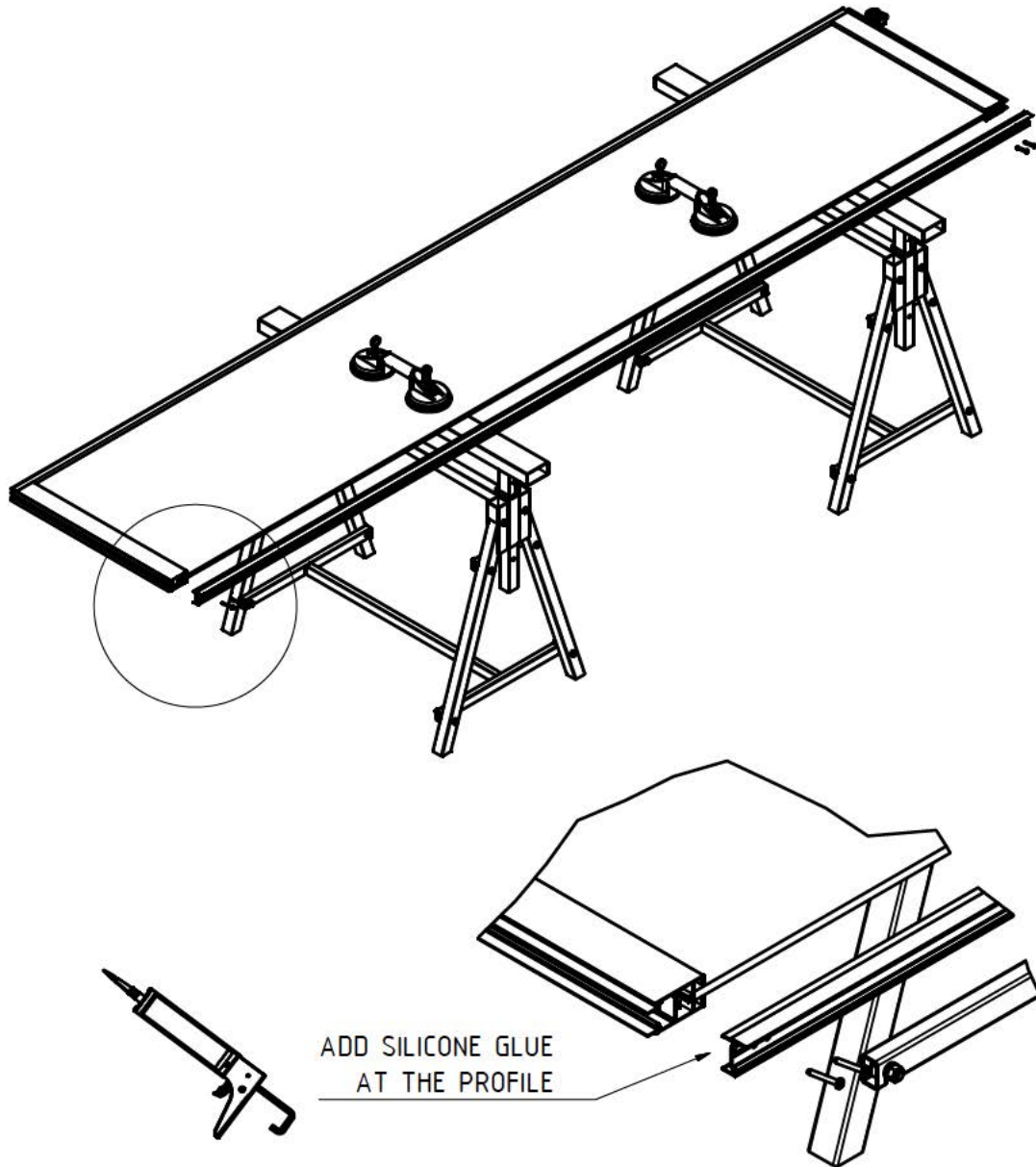
STEP-16:  
Disassemble the hinges.



STEP-17:

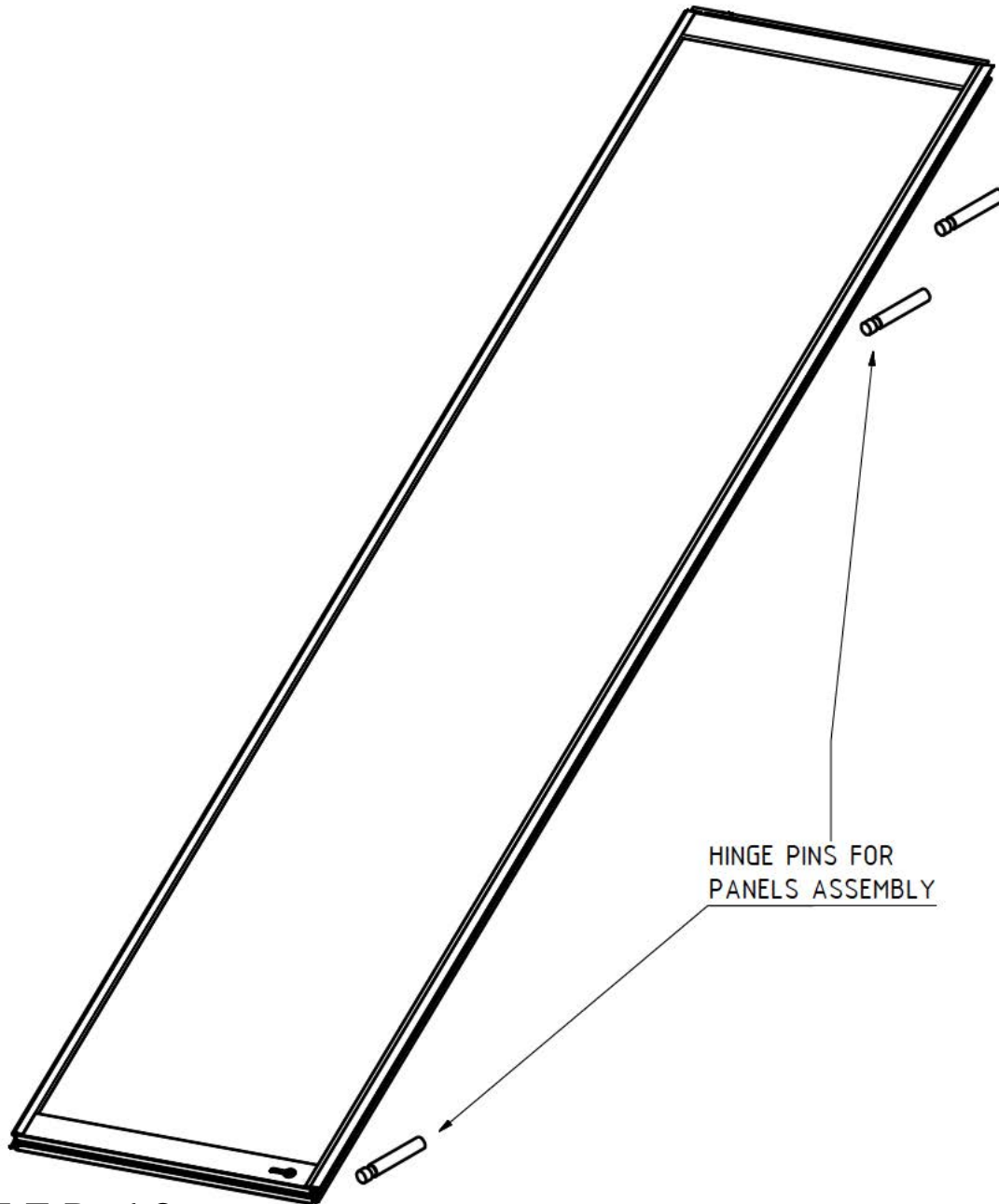
Side panel with disassembled hinges.





### STEP-18:

Assemble the side panel  
(with DISASSEMBLED hinges)  
with the glass and the other panels.



### STEP-19:

Panel is ready  
(WITH DISASSEMBLED HINGES)  
Connection of the panels is made  
at the construction  
assembly with the hinge pins that  
had been removed.