



# *chpl* LOCKERS > *Concealed Hinge*

**CARVART's glassLOCKERS and chpLOCKERS come in a wide range of configurations to meet almost any facility's needs. The Compact High Pressure Phenolic Laminate (CHPL) body provides durability, while the 1/4" thick glass (or CHPL, optional) doors have the flexibility of opening up to 180 degrees. Anodized aluminum hinges are self-lubricating. Additionally, built-in slits ensure airflow for proper ventilation or drainage. Throughout the length of each door, profiles are equipped with rubber gaskets, acting as shock absorbers. With a large selection of colors, finishes, and configurations, CARVART's locker offering is perfect for virtually any setting.**

# Specifications

**LOCKERS > chpLOCKERS > CONCEALED HINGE (CH-LCK-CH)**

Compact High Pressure Phenolic Laminate (cHPL) lockers with flush laminated 1/2" cHPL fronts are available in a wide range of configurations, wood grains and colors to accommodate almost any customer's needs. The system's panels and doors are scratch-resistant, with smoothed edges and rounded angles. Designed to optimize space and organization, options include a choice of flat or sloping hood, as well as incorporating clean/dirty compartments. Additionally, linear slits can be added to the bodies of the lockers to facilitate internal ventilation and drainage.

**VALUE-ADDED BENEFITS**

- Multiple colors and finishes for doors and bodies
- Various lock options
- Durable cHPL material
- Easy to install
- Flexible configurations
- Turnkey project services

**FACILITY DESIGN APPLICATIONS**

Lockers for athletic, healthcare, corporate facilities.

**CONFIGURATIONS**

Single-, double- and triple-wide groupings. 1, 2, 3, 4 and 6 tier options.

**FUNCTION**

Doors open to 100 degrees. Individual locks per locker compartment.

**cHPL DOOR AND BODY FINISHES —**

*Refer to Finish Chart*

**Standard options:** White (406), Light Gray (478), Dark Gray (871), Black (421).

**SURFACES**

Smooth. Textured.

**cHPL DOOR THICKNESS —**

1/4" Nominal front (laminated to 1/4" cHPL backer; 1/4" nominal overall).

**HARDWARE DIMENSIONS**

No hardware at front. **Concealed vertical extrusions:** 1-3/4" x 1-3/8"

**HARDWARE MATERIALS/FINISHES —**

*Refer to Finish Chart*  
Satin Anodized Aluminum.

**WIDTHS (inches):**

<b>Base</b> —Shared common	Up to 116
2-Unit wide lockers	31-1/2
3-Unit wide lockers	47-1/4
Interior shelves	14-7/8

**HEIGHTS (inches): Tall version    Short version**

Overall	73-1/4	37-3/4
Base	2-3/8	2-3/8
1-Door	70-5/8	35-3/16
2-Door	35-3/16	17-3/4
3-Door	23-9/16	N.A.
4-Door	17-3/4	N.A.

**DEPTHS (inches):**

Overall	19-13/16
Internal shelves	18

**MOUNTING FASTENERS**

Cases bolt together through side panels and secure to wall with recommended bracket. Final anchoring decision is client-directed or based on client structural consultant. Mounting fasteners and anchors to be supplied by others. CARVART advisory available.

**ADD-ON DESIGN OPTIONS —**

*Per specification and upcharges apply*  
Lock options. Numeric face plates. Ventilation holes in back and bottom panels. Internal coat hooks, hat shelf, shoe shelf.

**CUSTOMIZATION**

Special sizes or finishes available upon request.

**INSTALLATION**

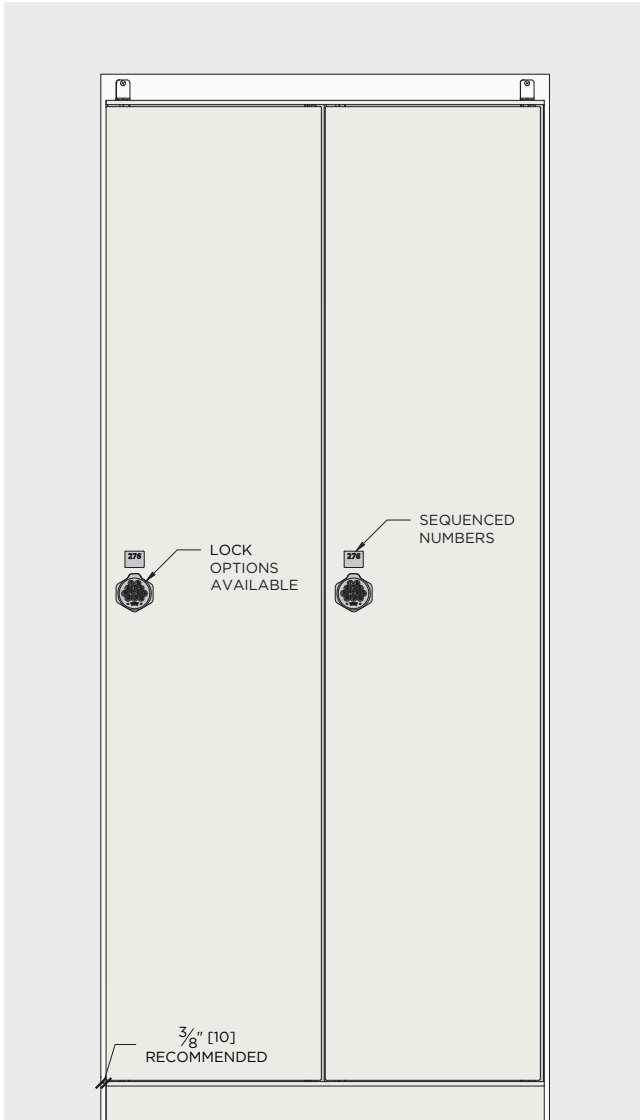
Ships flat. Assembly required by trained installers. Lockers must be secured to a hard wall. Installation instructions, assistance and training available at time of order.

**HARDWARE WARRANTY —**

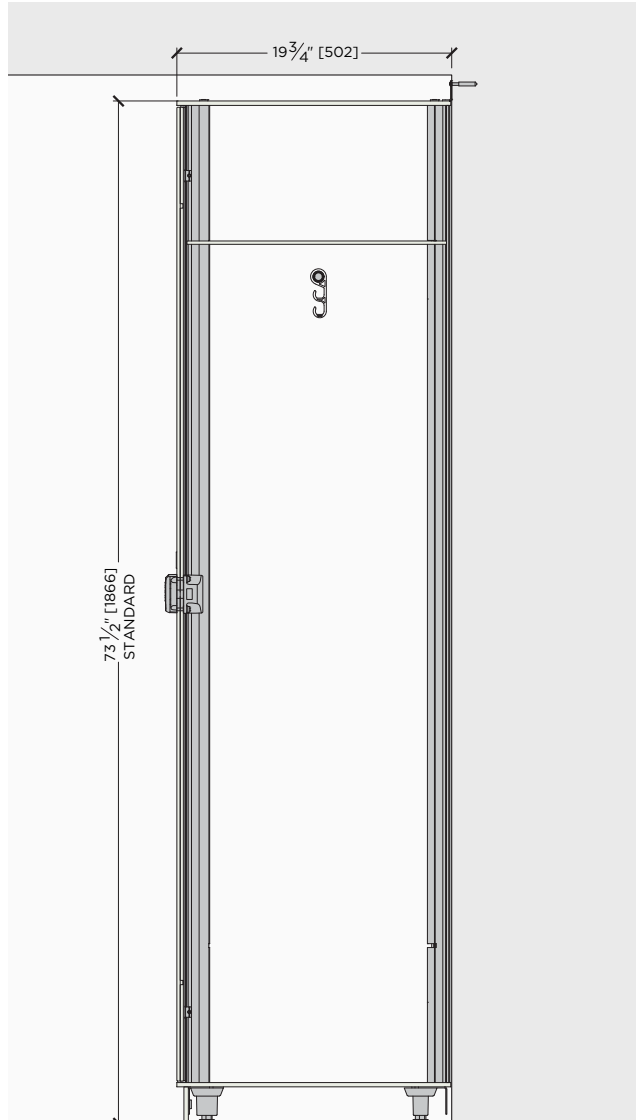
2-year limited warranty.

For more info, contact CARVART Sales Advisory Team at quotes@carvart.com or call us at 212 675 0030.

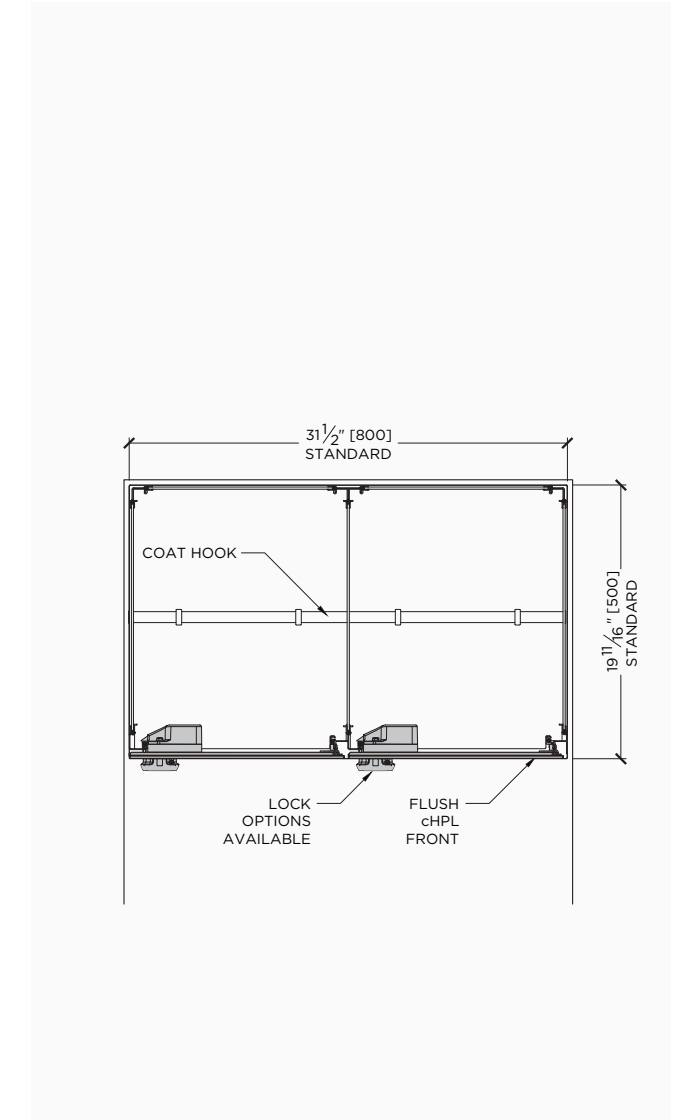
# chpLOCKERS > Concealed Hinge



TYPICAL ELEVATION

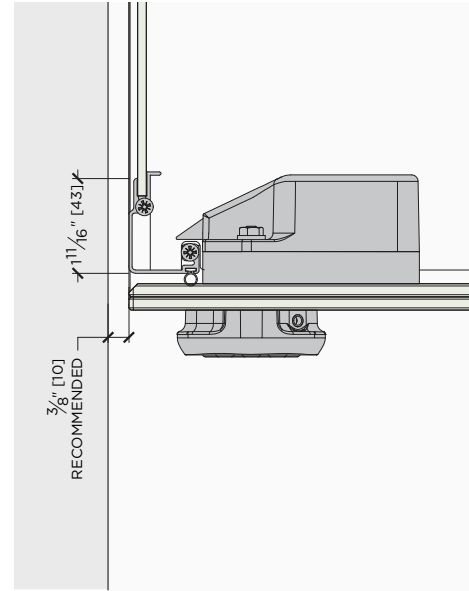
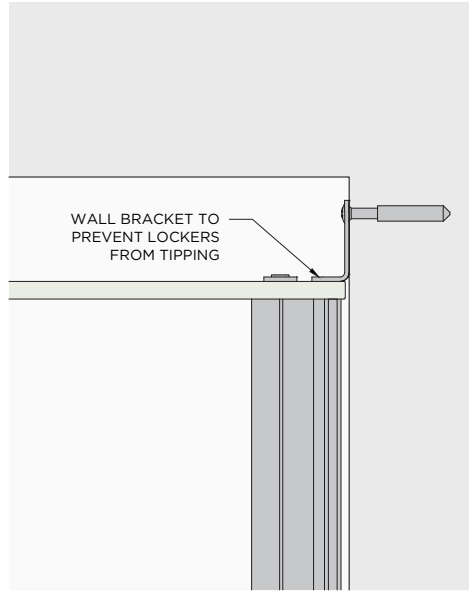
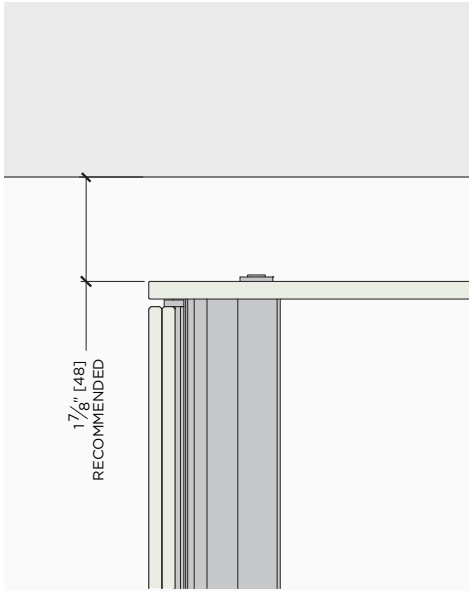


TYPICAL VERTICAL SECTION

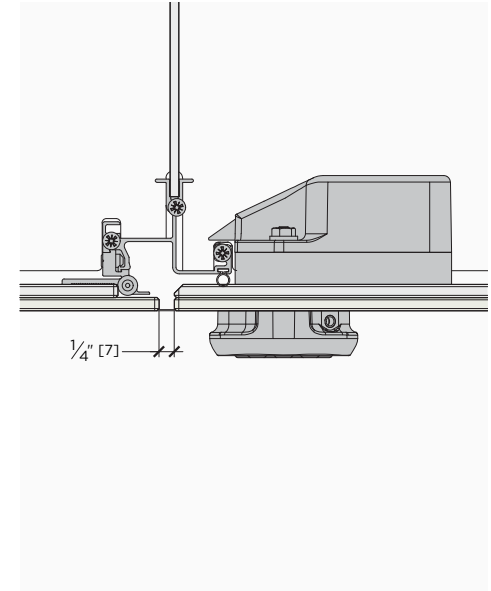


HORIZONTAL SECTION

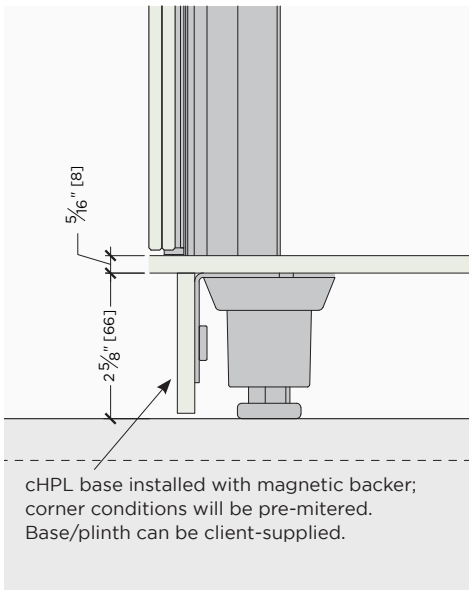
# chpLOCKERS > Concealed Hinge



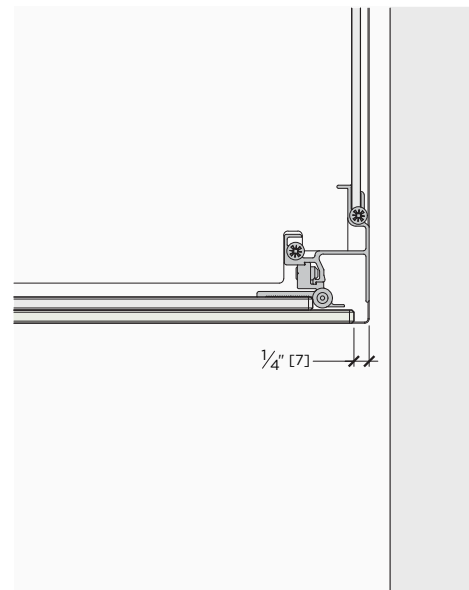
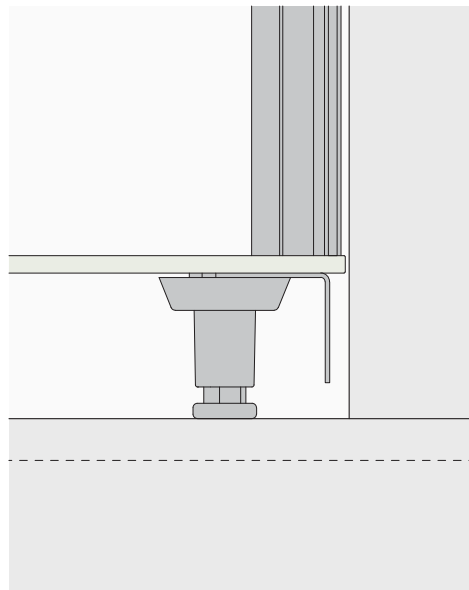
HORIZONTAL DETAIL @ OUTSIDE STRIKE



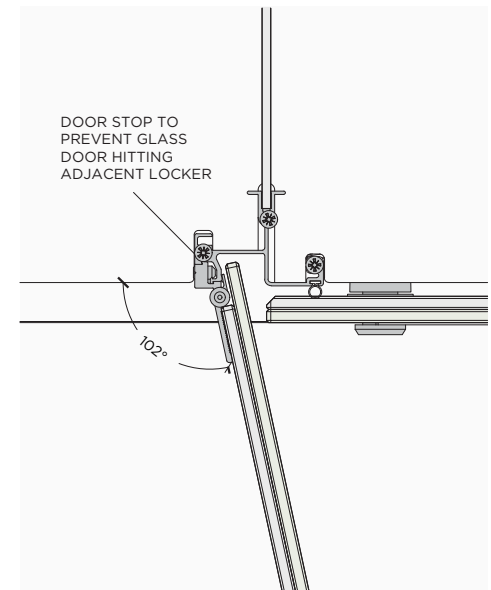
HORIZONTAL DETAIL @ CENTER STRIKE



VERTICAL SECTION

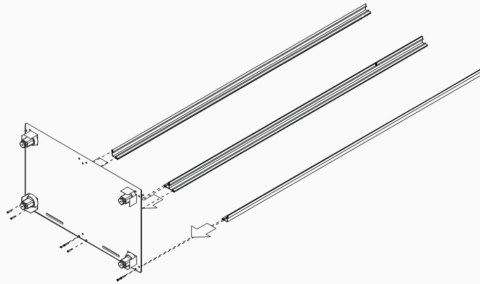


HORIZONTAL DETAIL @ OUTSIDE HINGE



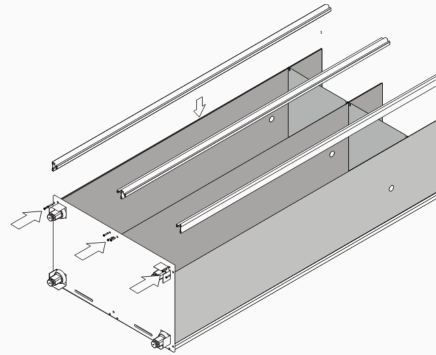
OPEN LOCKER WITH DOOR STOP

## Ease of installation



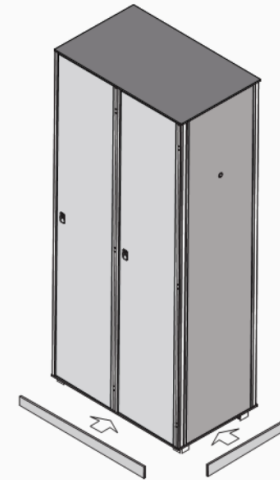
### PRE-CUT COMPONENTS

The extrusions and scratch-resistant panels are pre-cut with smoothed edges and rounded angles, allowing easy install and handling.



### PRE-MACHINED

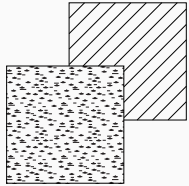
All locker components come with pre-machined holes for fasteners and extrusions. Doors come with fully adjustable, self-lubricating hinges that are integrated into the vertical profiles.



### LIGHTWEIGHT AND ERGONOMIC

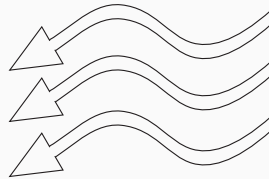
The bodies are composed of chPL material which is durable yet lightweight, making them easy to handle.

## Hygiene and Maintenance



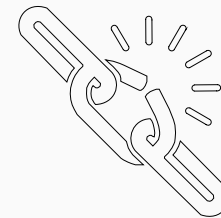
### NON-POROUS MATERIALS

CARVART's chpLOCKERS and glassLOCKERS are made of inherently hygienic materials that are non-porous and, therefore, rarely collect bacteria. This makes them ideal for healthcare and gym facilities or any other settings where this could be a concern.



### EASY VENTILATION

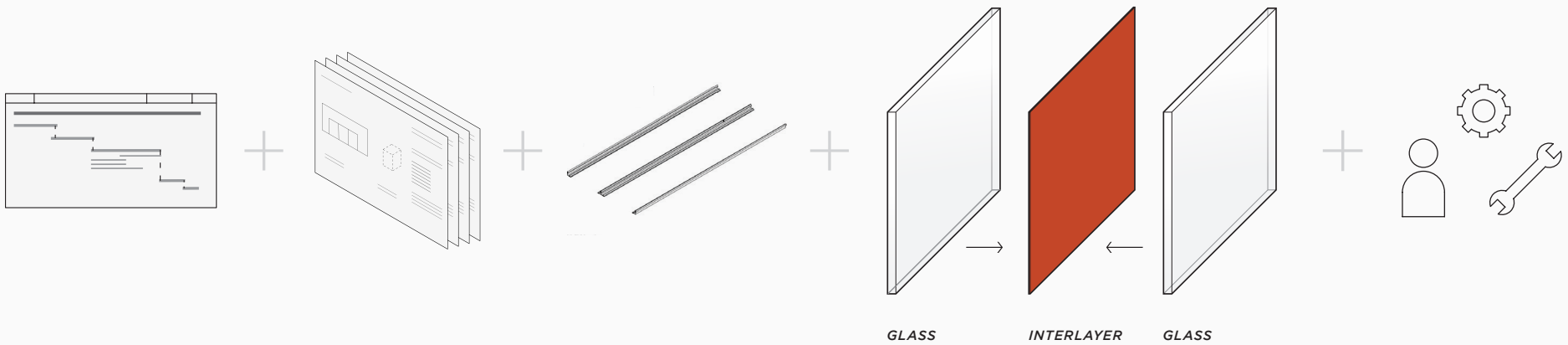
The option to incorporate built-in slits ensures airflow for proper ventilation or drainage.



### DURABILITY

The high-quality, anodized metal components ensure durability over time with standard maintenance.

# Turnkey solutions



## COORDINATION AND SHOP DRAWINGS

CARVART's dedicated project management team offers full coordination services to ensure timely delivery for each project.

Detailed shop drawings are available to facilitate trade and construction coordination.

## HARDWARE

Provide full range of hardware options for infinite design and site conditions. Multiple design options.

## GLASS DESIGN AND DEVELOPMENT

Architects can work closely with CARVART designers to choose from a unique set of glass products to accommodate any project.

## TAILORED DIMENSIONS

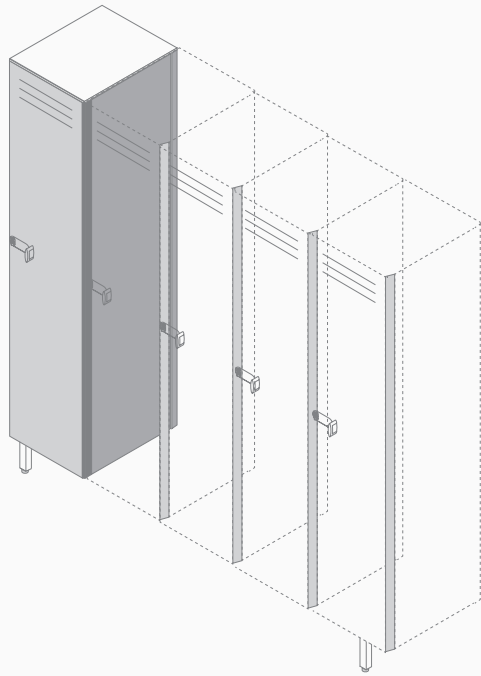
Combining a wide range of hardware and glass products with custom sizing, CARVART has a solution for virtually any project's design, structural or performance needs.

## WARRANTY AND POST-DELIVERY SERVICES

Post-delivery, installation guidance, facility maintenance, training and product replacement are all available through CARVART.

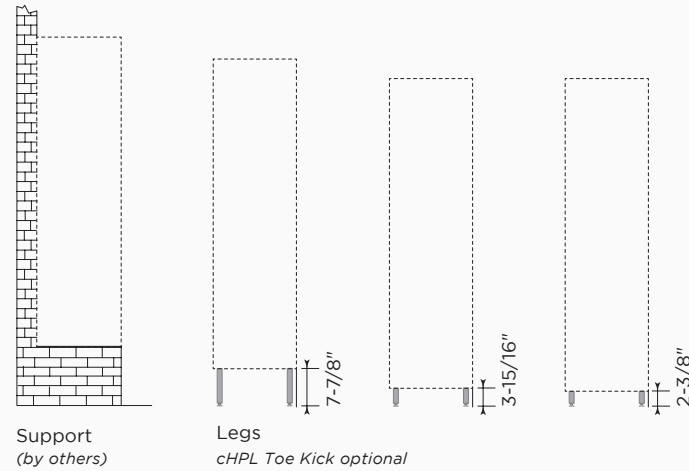


# Configurations



## CONFIGURATION IN COLUMNS

A series of lockers can consist of an “unlimited” number of columns. The total length of a series of lockers is given by the sum of the width of each column plus 7/16” to be added at the beginning and at the end of the series.

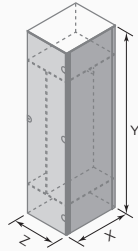


## LOCKER SUPPORTS

The different combinations of lockers can be supplied either with no support at all or standing on:

- 2-3/8" legs (standard)
- 3-15/16" legs
- 7-7/8" legs

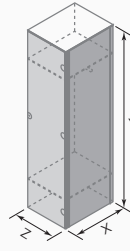
# Configurations



### TYPE A

Single-tier locker with clean/dirty compartments. Fitted out with hanging rod and 2 clothes hooks.

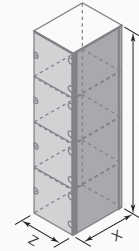
	A1	A2	A3	A4
X	19-11/16"	19-11/16"	19-11/16"	19-11/16"
Y	63"	70-7/8"	63"	70-7/8"
Z	11-13/16"	11-13/16"	15-3/4"	15-3/4"



### TYPE E

Single-tier locker fitted out with hanging rod and clothes hook.

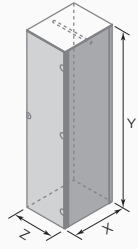
	E1	E2	E3	E4
X	19-11/16"	19-11/16"	19-11/16"	19-11/16"
Y	63"	70-7/8"	63"	70-7/8"
Z	11-13/16"	11-13/16"	15-3/4"	15-3/4"



### TYPE I

Four-tier locker with 4 doors.

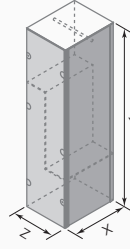
	I1	I2	I3	I4
X	19-11/16"	19-11/16"	19-11/16"	19-11/16"
Y	63"	70-7/8"	63"	70-7/8"
Z	11-13/16"	11-13/16"	15-3/4"	15-3/4"



### TYPE B

Single-tier locker fitted out with hanging rod and clothes hook.

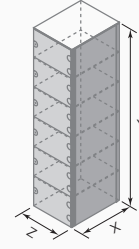
	B1	B2	B3	B4
X	19-11/16"	19-11/16"	19-11/16"	19-11/16"
Y	63"	70-7/8"	63"	70-7/8"
Z	11-13/16"	11-13/16"	15-3/4"	15-3/4"



### TYPE F

Z Lockers fitted out with 2 hanging rods and 2 clothes hooks. Available with cHPL doors only.

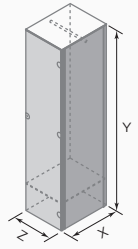
	F1	F2	F3	F4
X	19-11/16"	19-11/16"	19-11/16"	19-11/16"
Y	63"	70-7/8"	63"	70-7/8"
Z	11-13/16"	11-13/16"	15-3/4"	15-3/4"



### TYPE L

Six-tier locker with 6 doors.

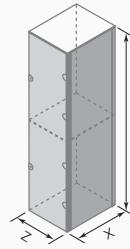
	L1	L2	L3	L4
X	19-11/16"	19-11/16"	19-11/16"	19-11/16"
Y	63"	70-7/8"	63"	70-7/8"
Z	11-13/16"	11-13/16"	15-3/4"	15-3/4"



### TYPE C

Single-tier locker fitted out with shoe rack, hanging rod and clothes hook.

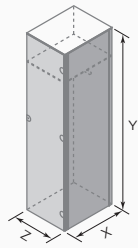
	C1	C2	C3	C4
X	19-11/16"	19-11/16"	19-11/16"	19-11/16"
Y	63"	70-7/8"	63"	70-7/8"
Z	11-13/16"	11-13/16"	15-3/4"	15-3/4"



### TYPE G

Double-tier locker fitted out with 2 separate doors, 2 hanging rods and 2 clothes hooks.

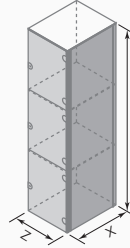
	G1	G2	G3	G4
X	19-11/16"	19-11/16"	19-11/16"	19-11/16"
Y	63"	70-7/8"	63"	70-7/8"
Z	11-13/16"	11-13/16"	15-3/4"	15-3/4"



### TYPE D

Single-tier locker fitted out with shelf, hanging rod and clothes hook.

	D1	D2	D3	D4
X	19-11/16"	19-11/16"	19-11/16"	19-11/16"
Y	63"	70-7/8"	63"	70-7/8"
Z	11-13/16"	11-13/16"	15-3/4"	15-3/4"

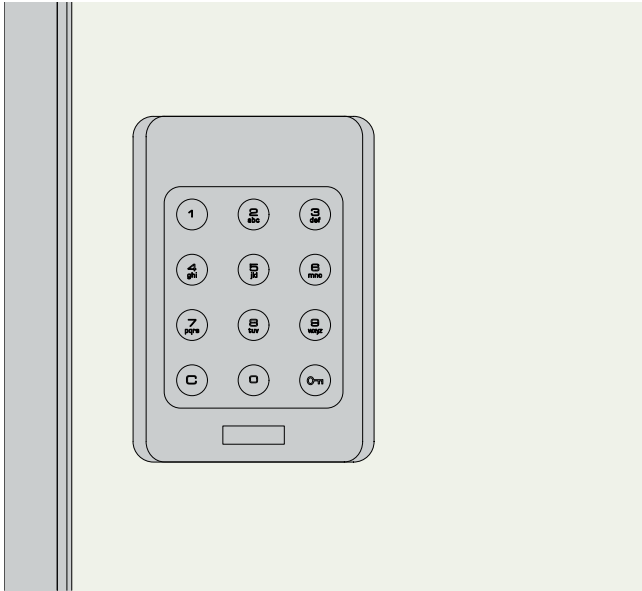


### TYPE H

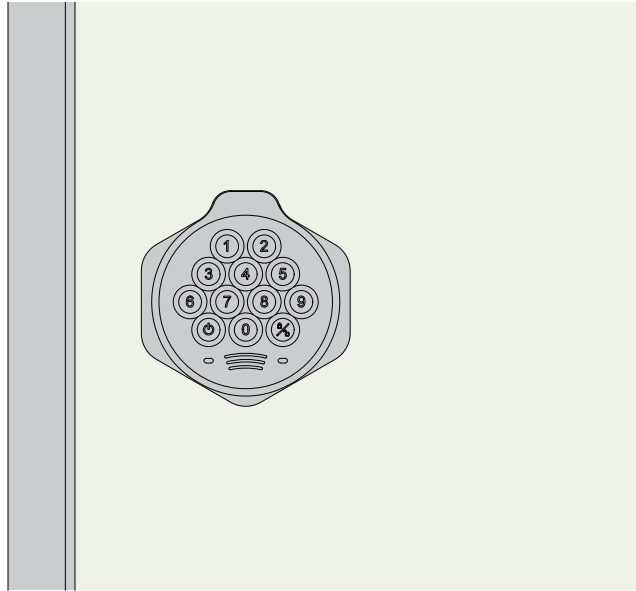
Three-tier locker with 3 doors.

	H1	H2	H3	H4
X	19-11/16"	19-11/16"	19-11/16"	19-11/16"
Y	63"	70-7/8"	63"	70-7/8"
Z	11-13/16"	11-13/16"	15-3/4"	15-3/4"

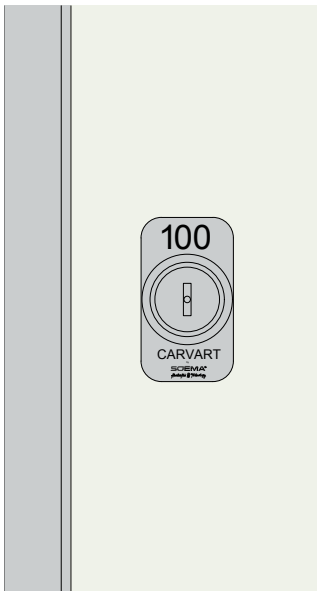
# Options: Locks



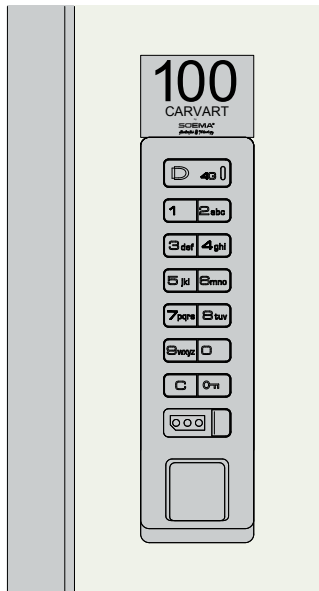
OJMAR LOCK



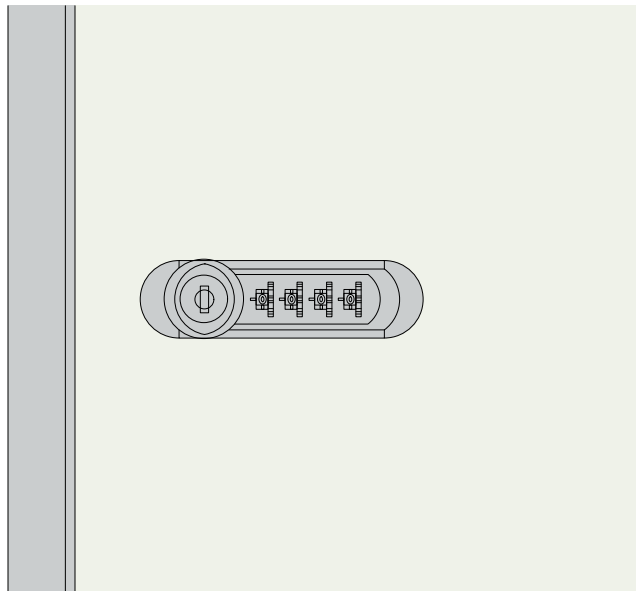
RFID/DIGITAL COMBINATION ZEPHYR LOCK



STANDARD KEY LOCK



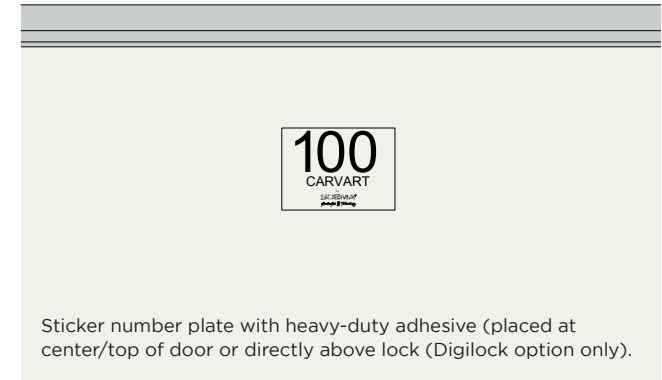
DIGILOCK



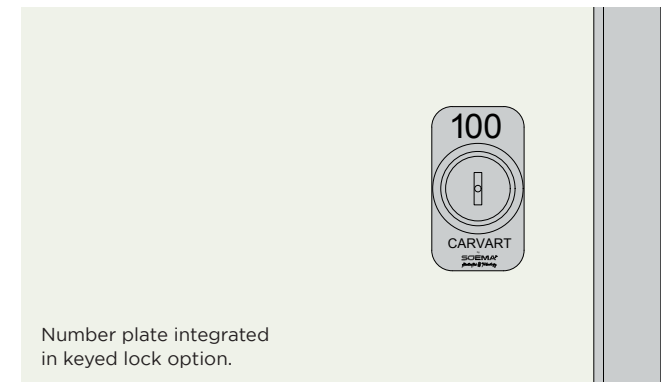
COMBINATION LOCK

With a variety of lock options, CARVART offers several solutions to meet aesthetic, function and budget needs. Digital options include keypad and two price points, while the mechanical options are more minimal yet still easy to operate as a user and from a facility manager standpoint.

## NUMBER PLATE OPTIONS



Sticker number plate with heavy-duty adhesive (placed at center/top of door or directly above lock (Digilock option only).



Number plate integrated in keyed lock option.

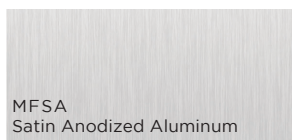
**COLORS**  
Glass



**CHPL**

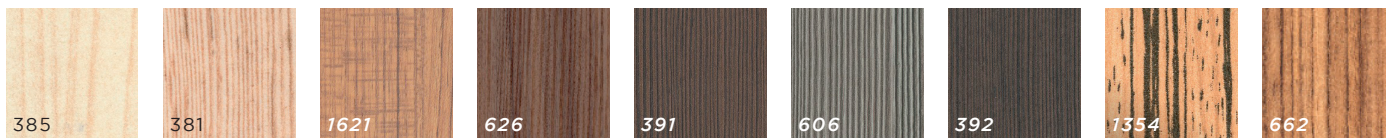


**Hardware**



**MATERIALS**  
cHPL Wood

Classic  
"woodgrains"



CARVART®

BY

**SOEMA®**

*Handcrafted  Technology*