

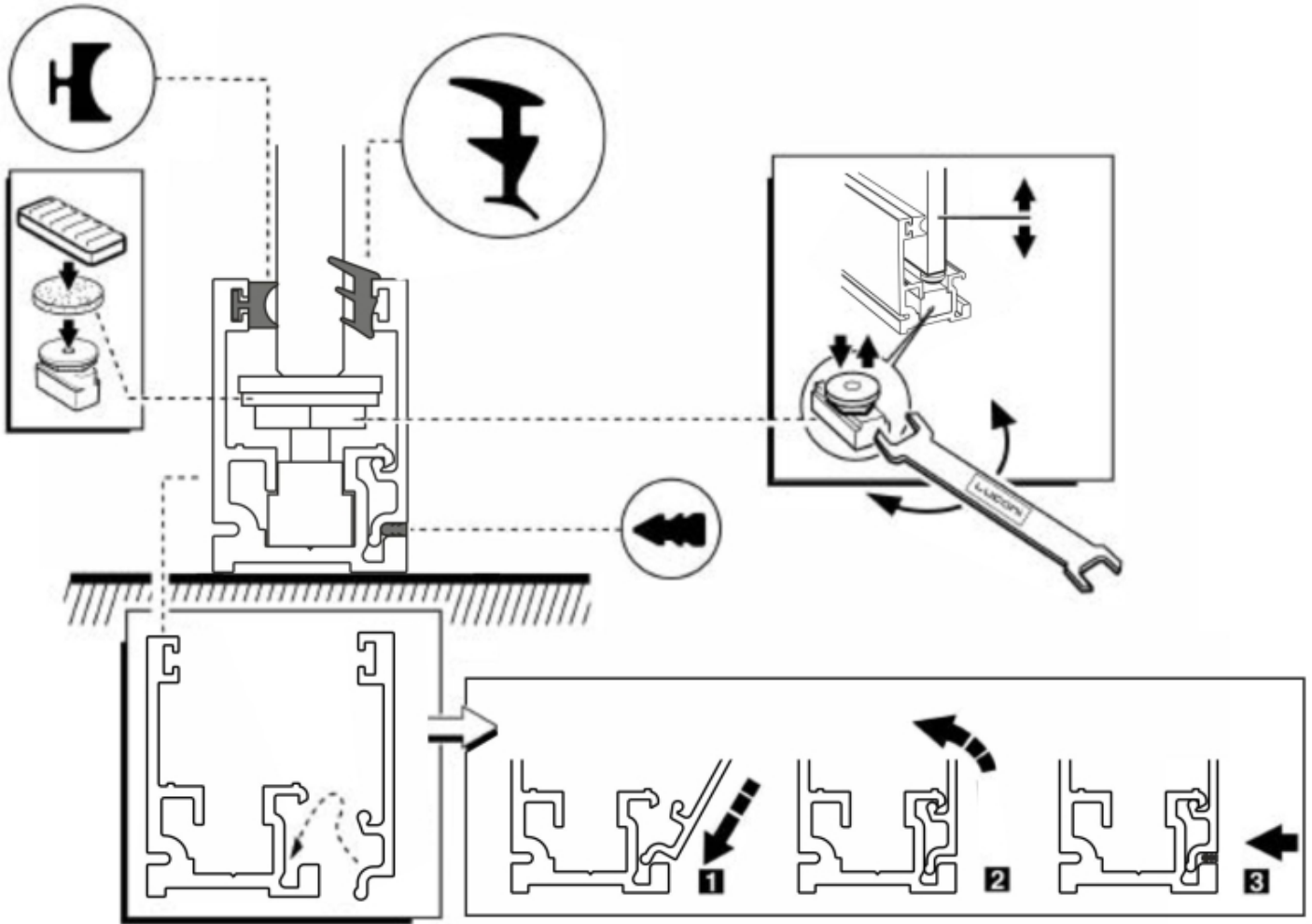


## INSTALLATION INSTRUCTIONS

glassWALLS > Office Fronts > Slim

VERSION 1.1

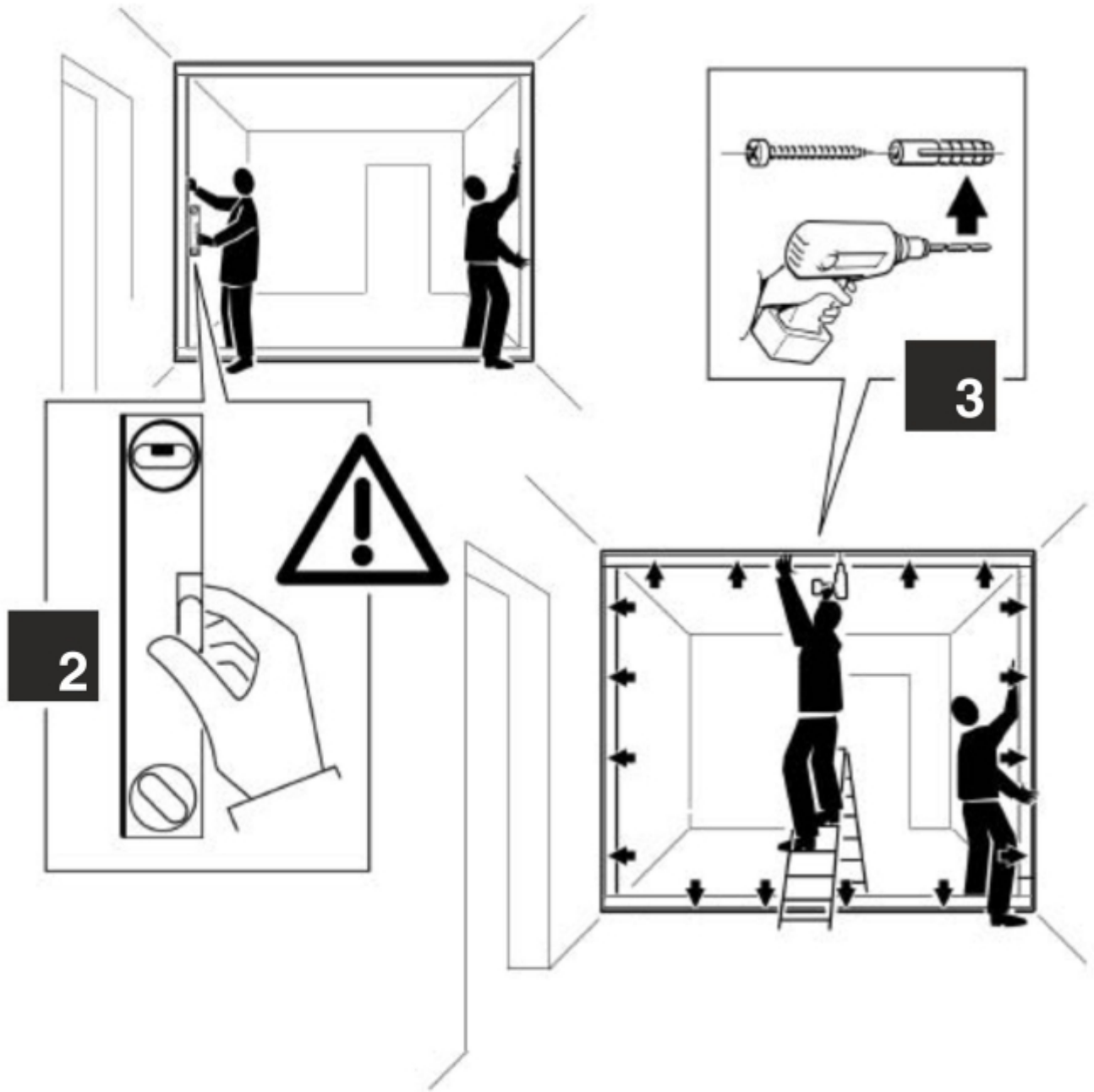
# SLIM - Extrusions



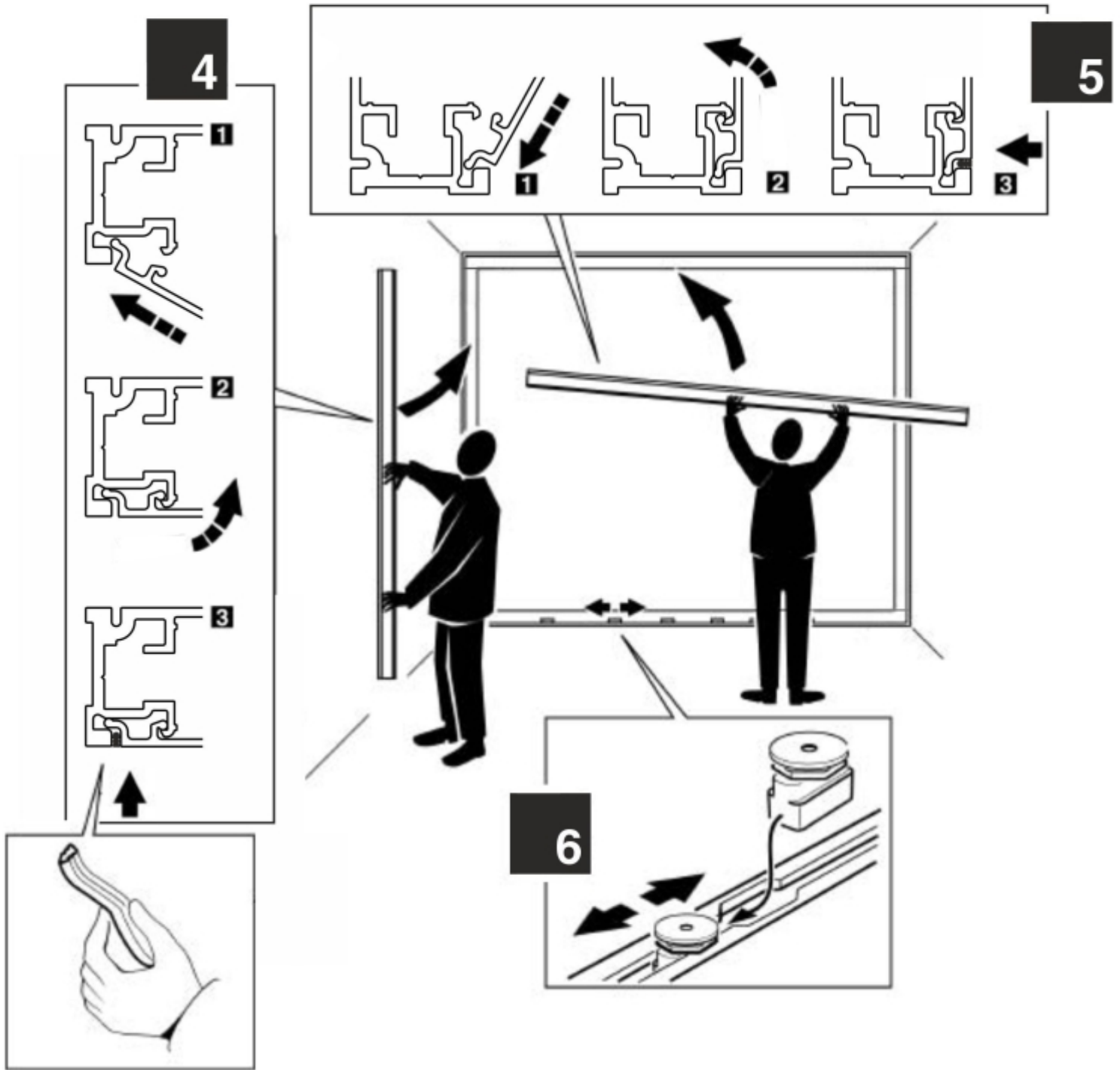
# LAYOUT



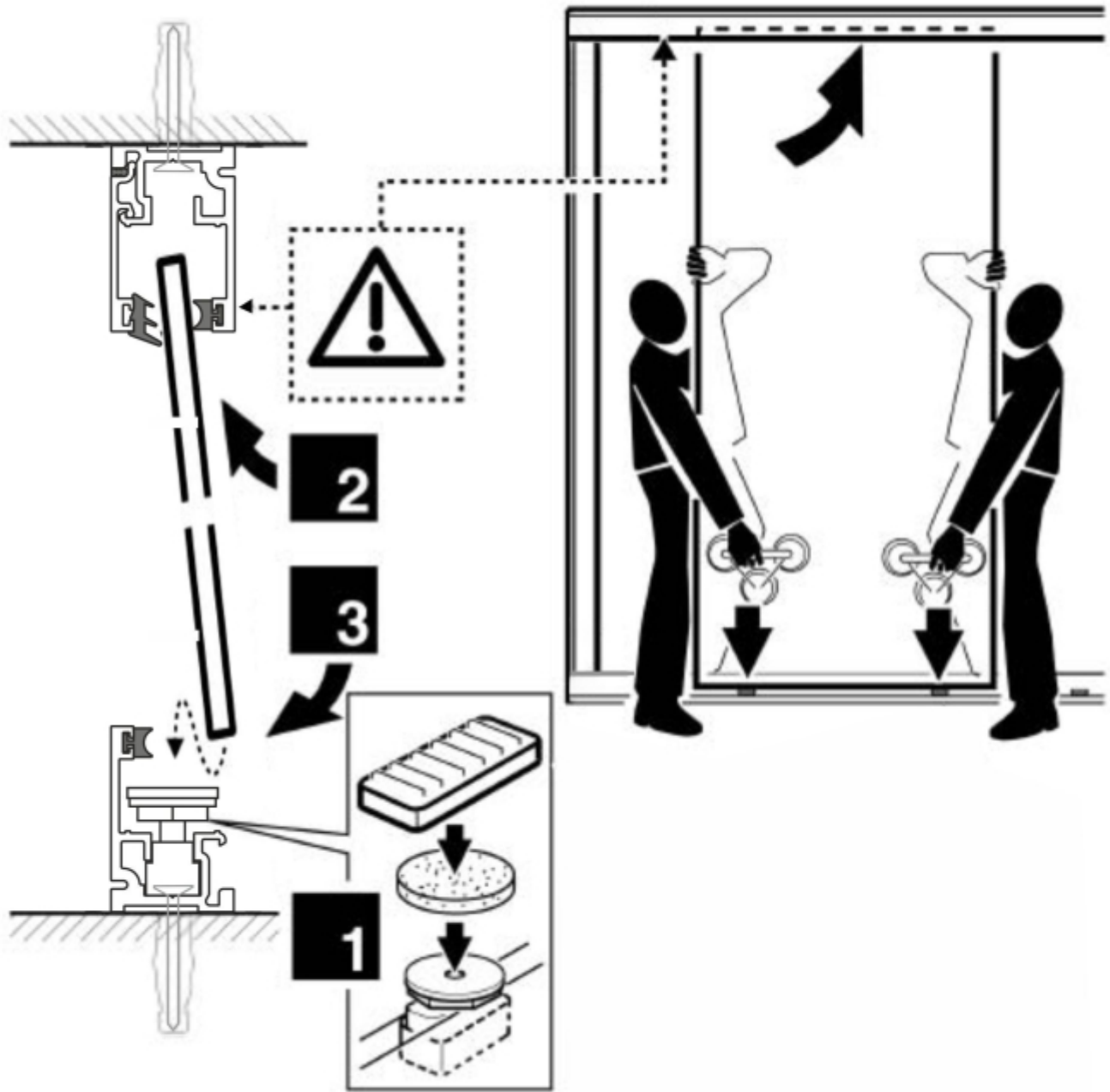
1

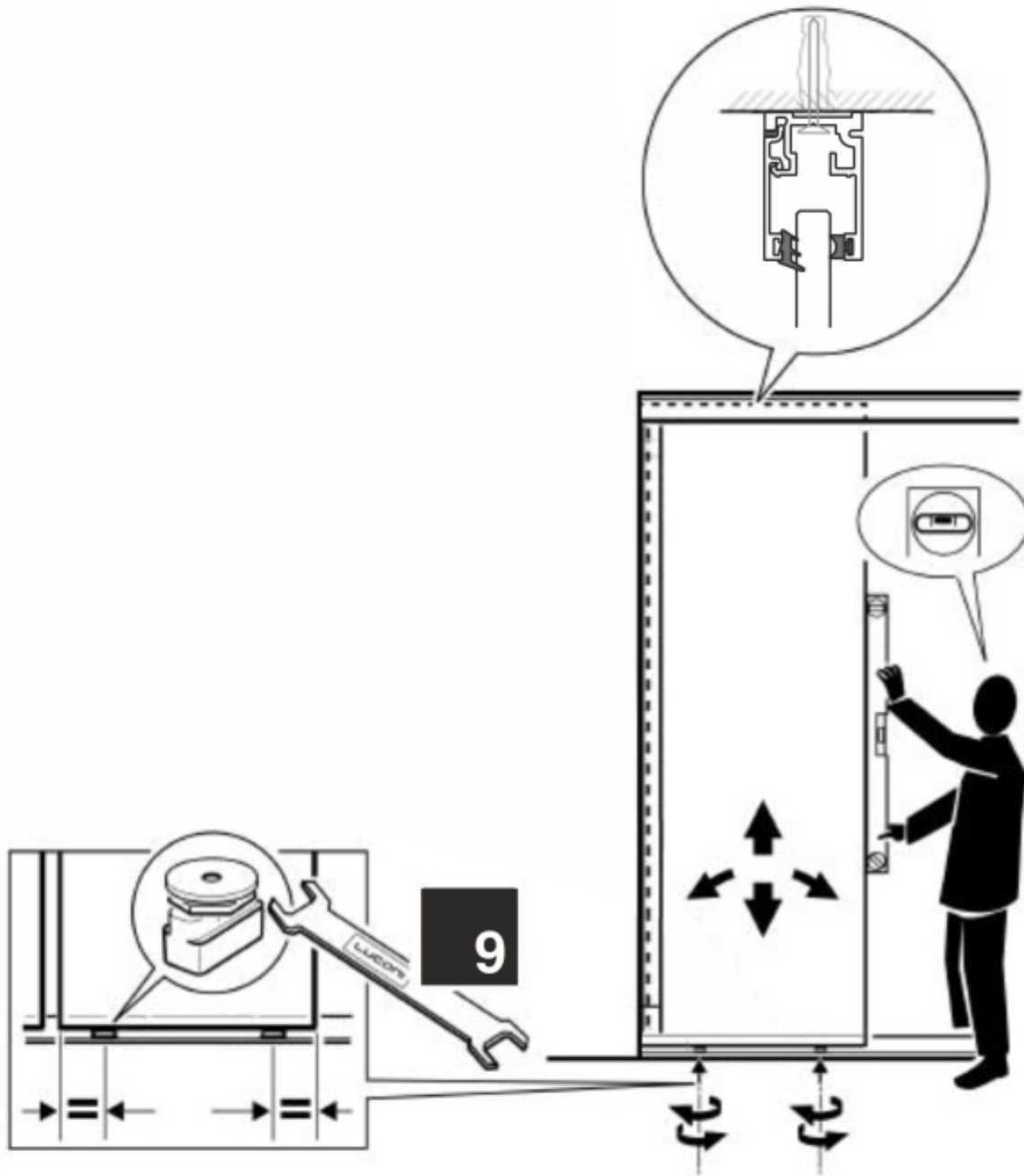


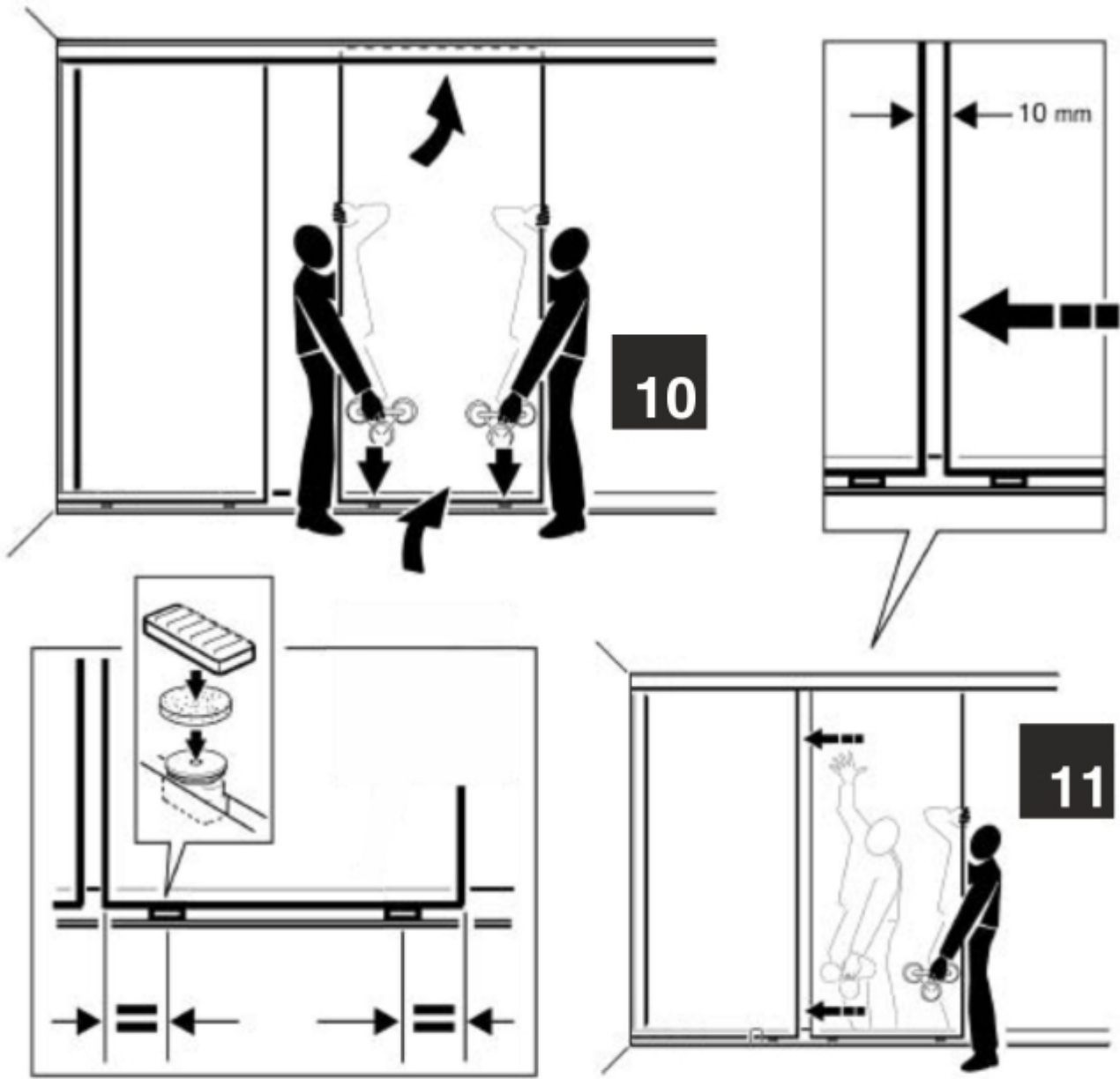


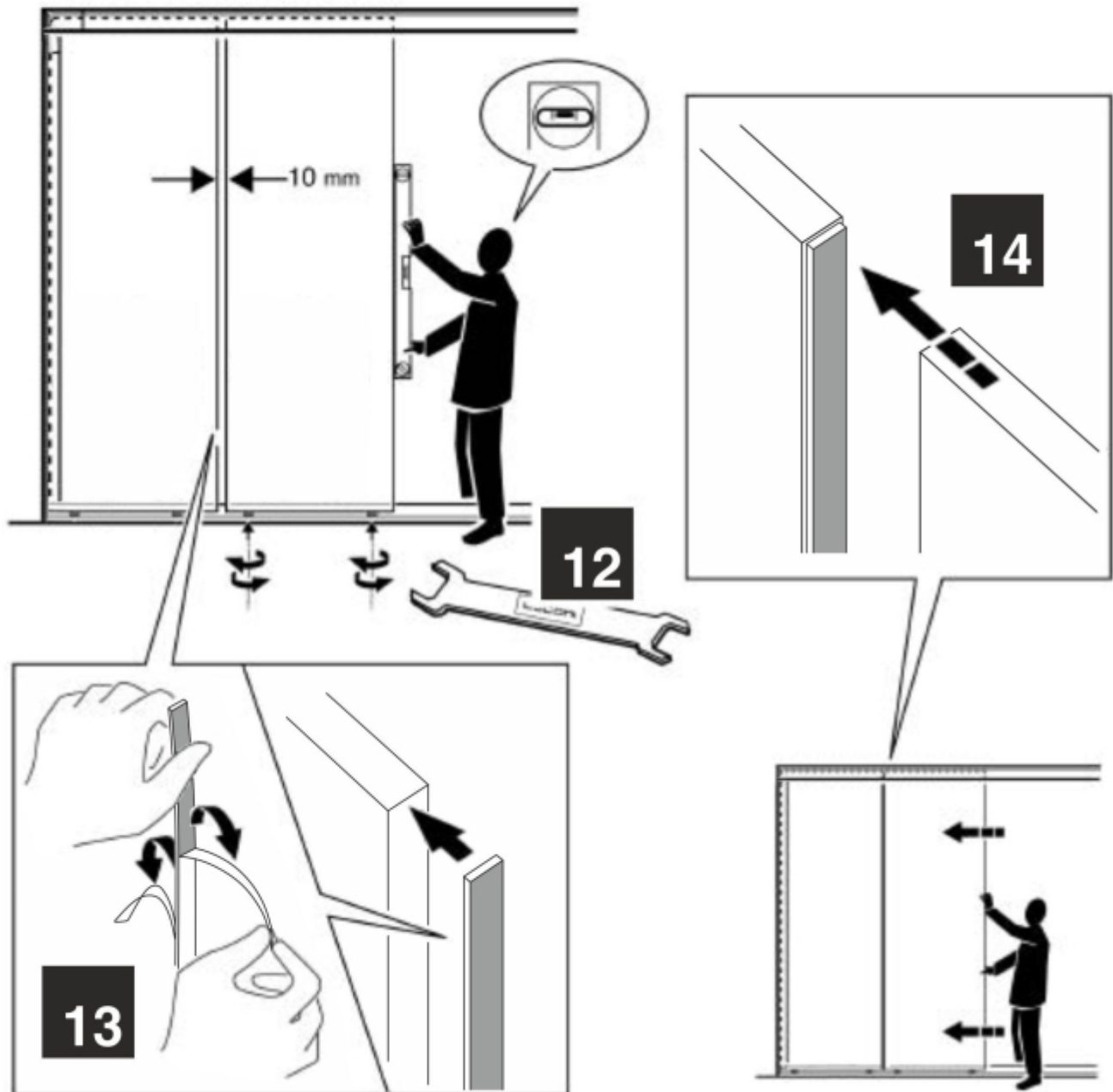




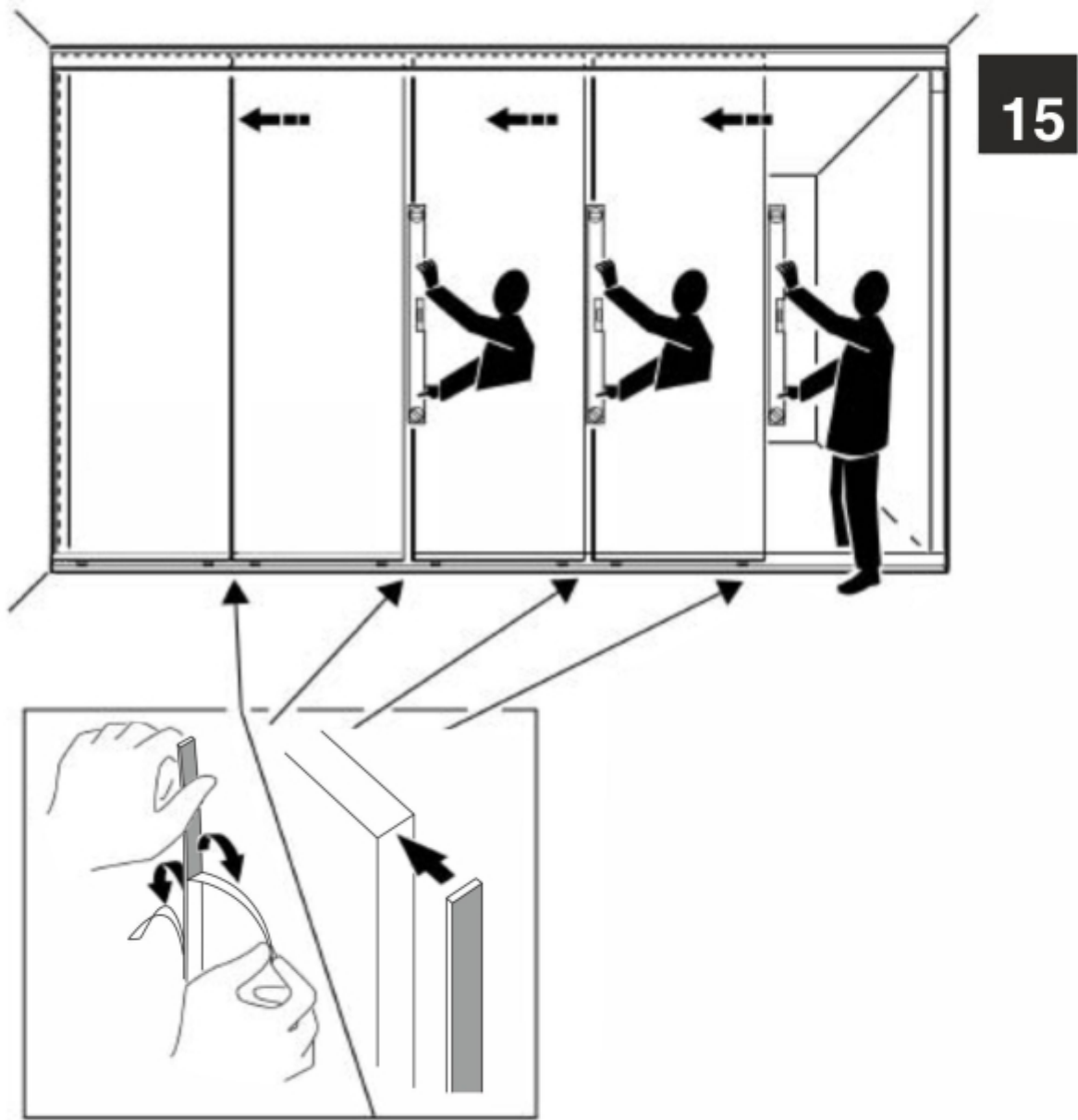


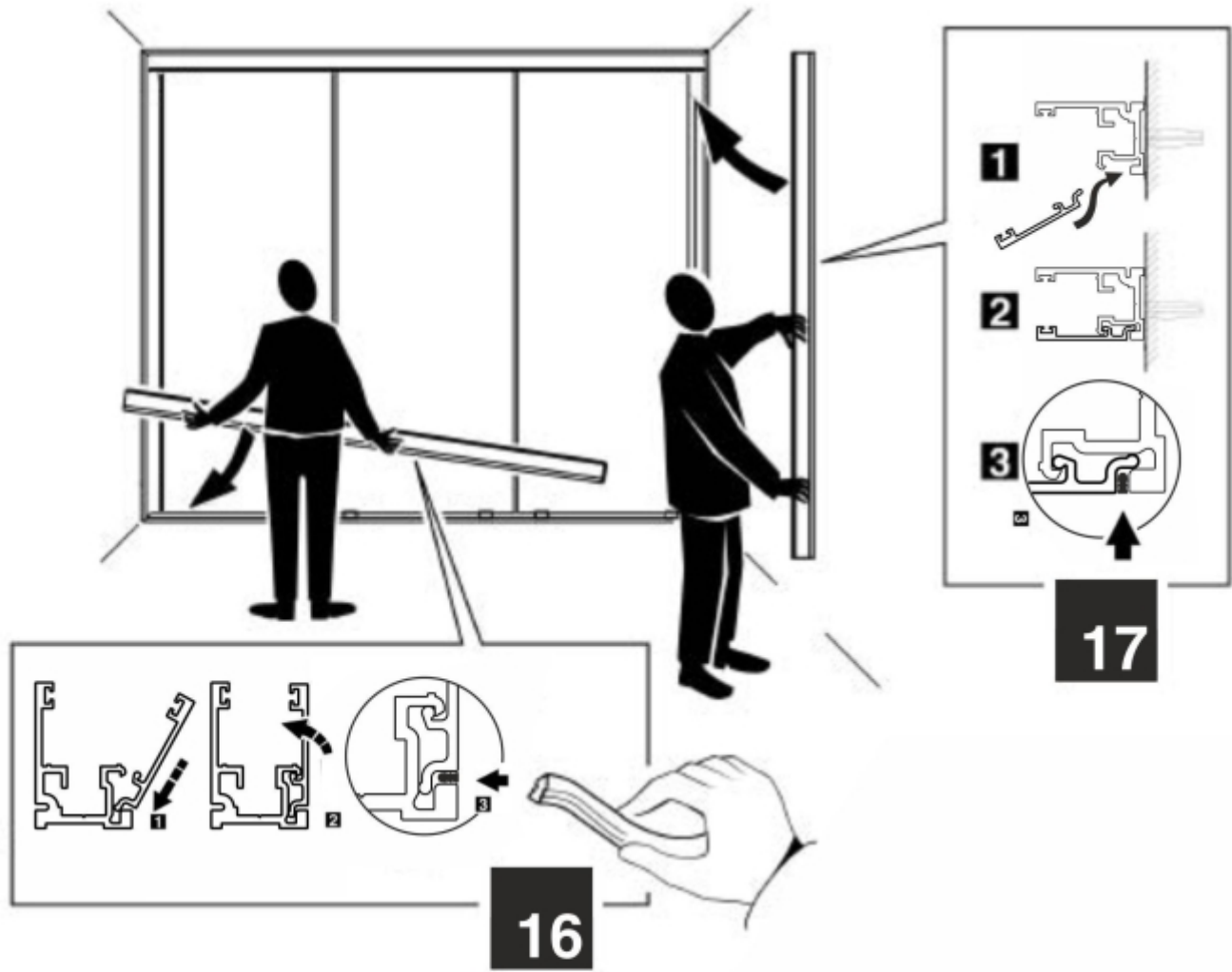




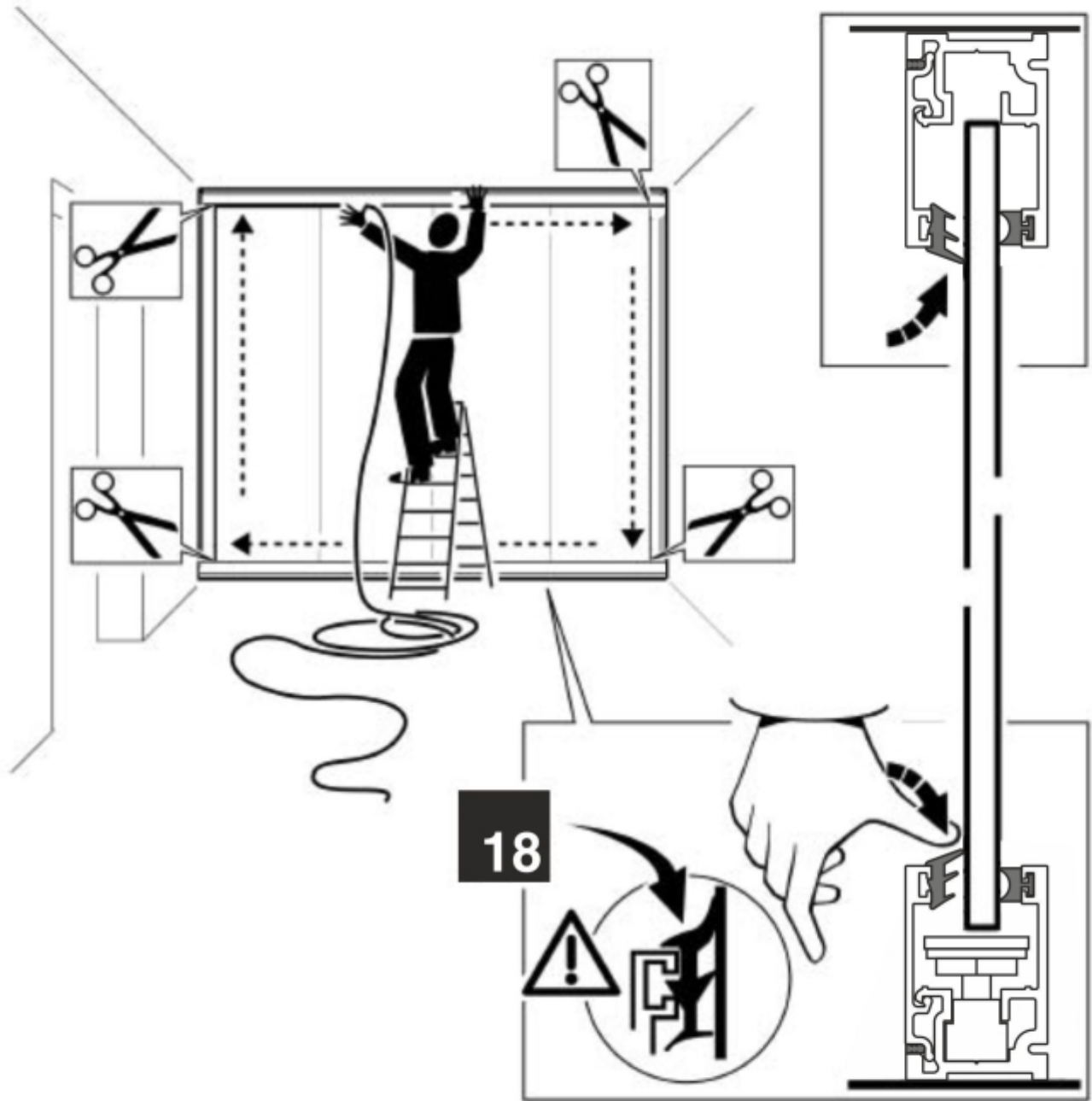


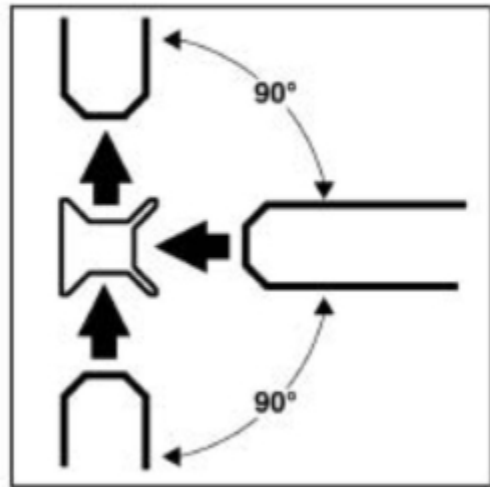
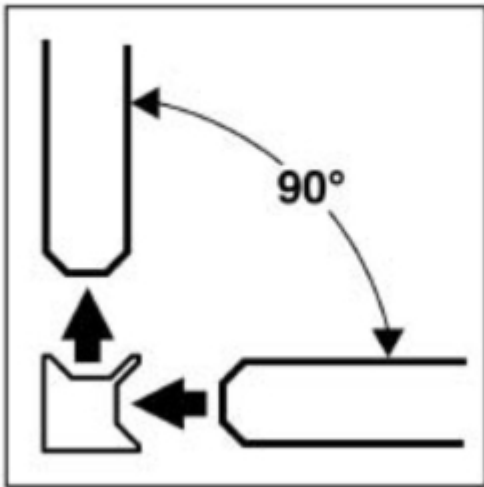
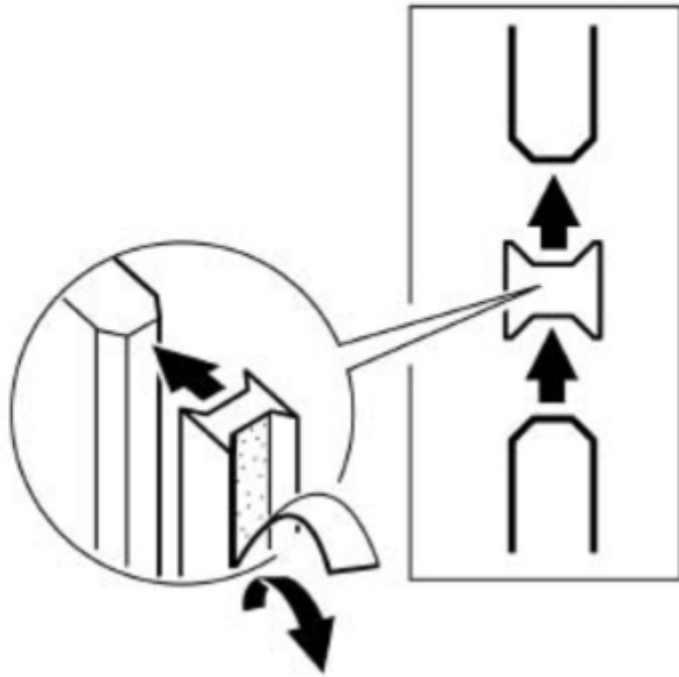
USE DOUBLE SIDED TAPE OR POLYCARBONATE VERTICAL PROFILES, IN BASE TO THE PROJECT SPECIFICATIONS.

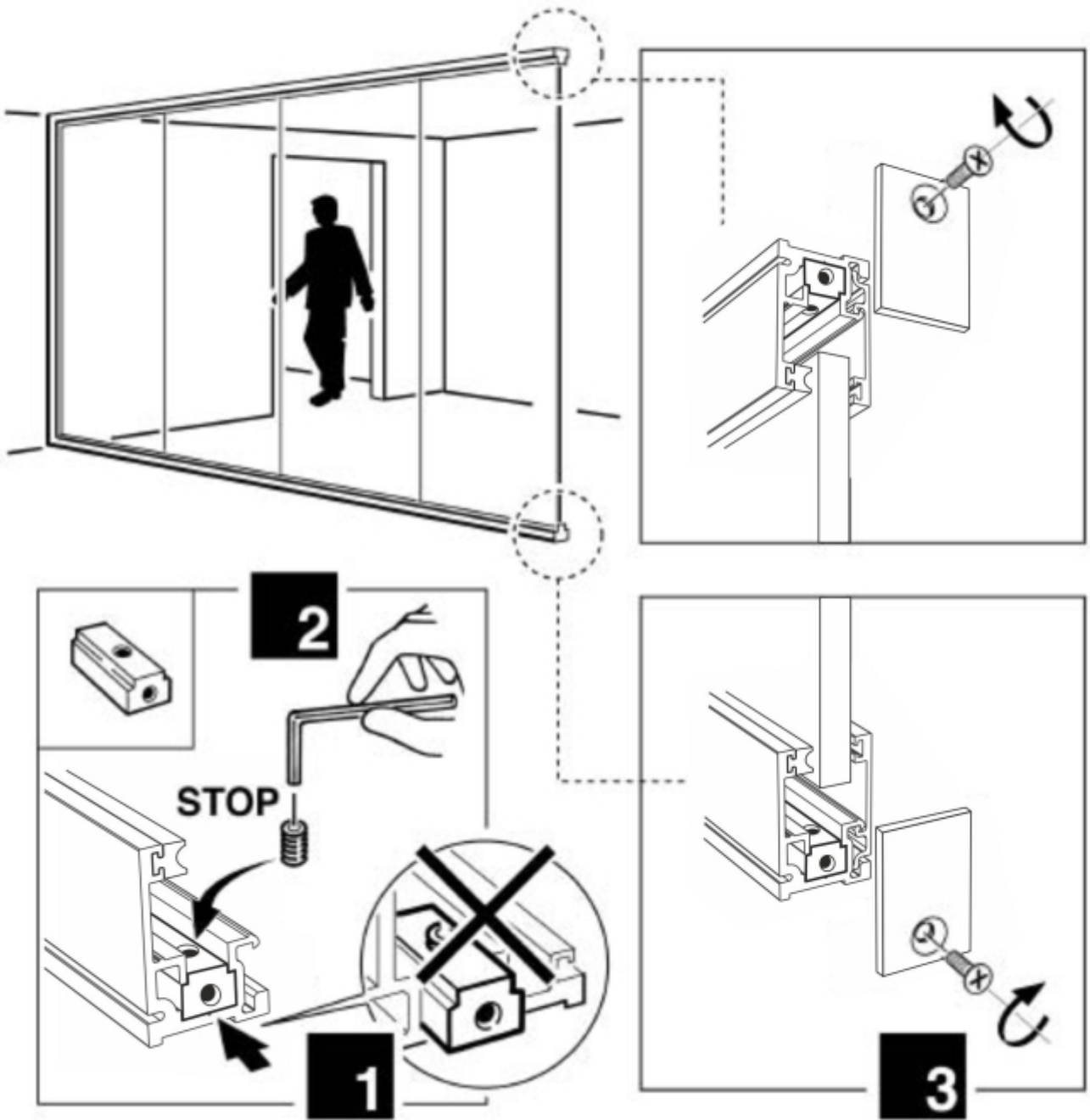


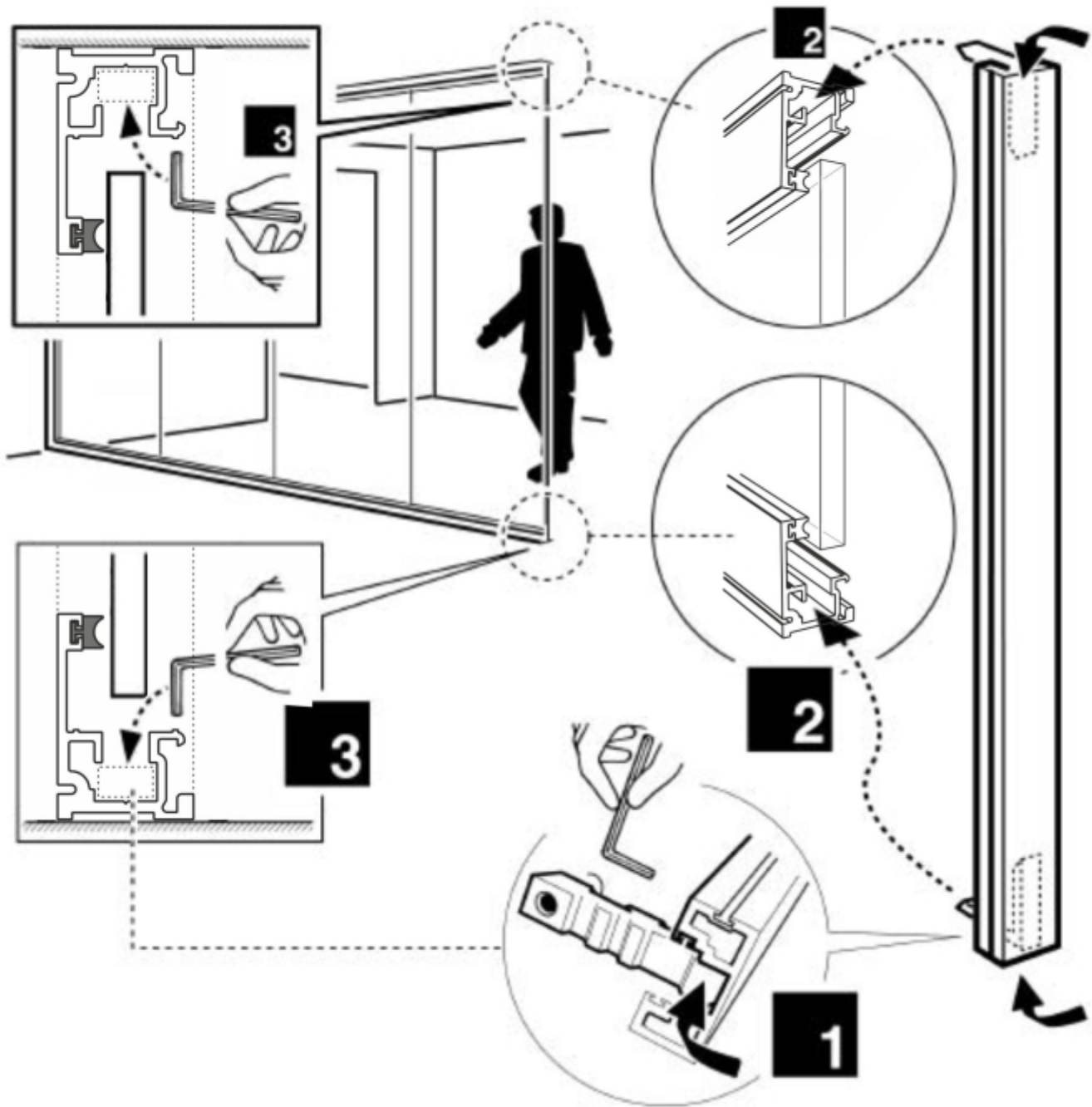






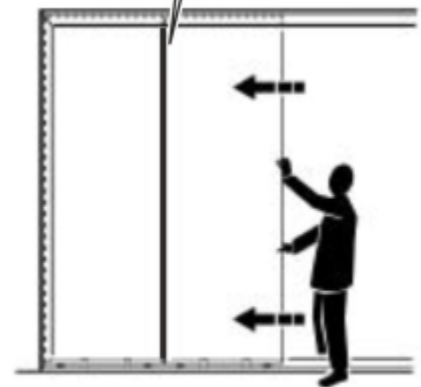
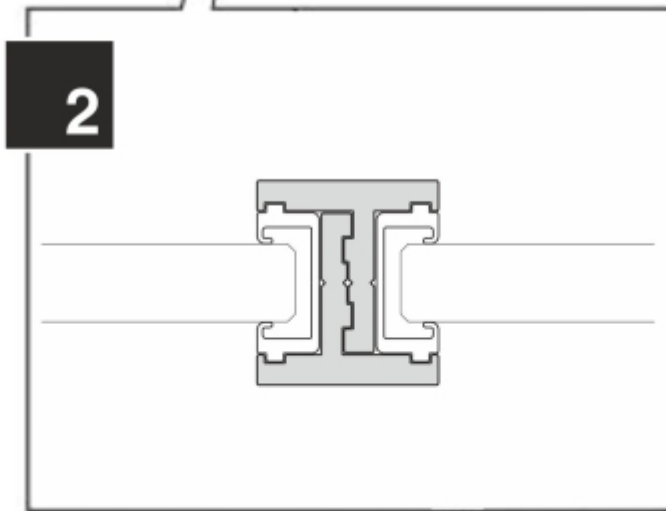
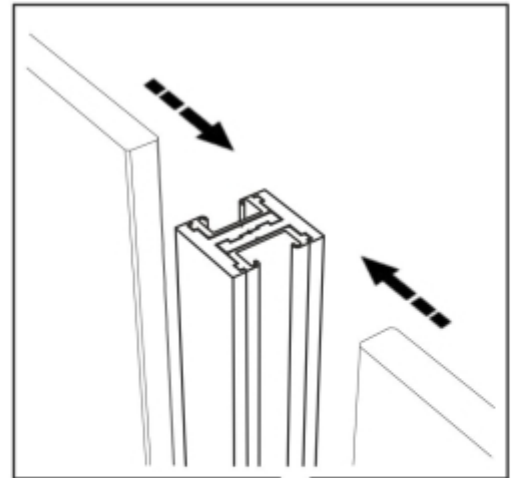


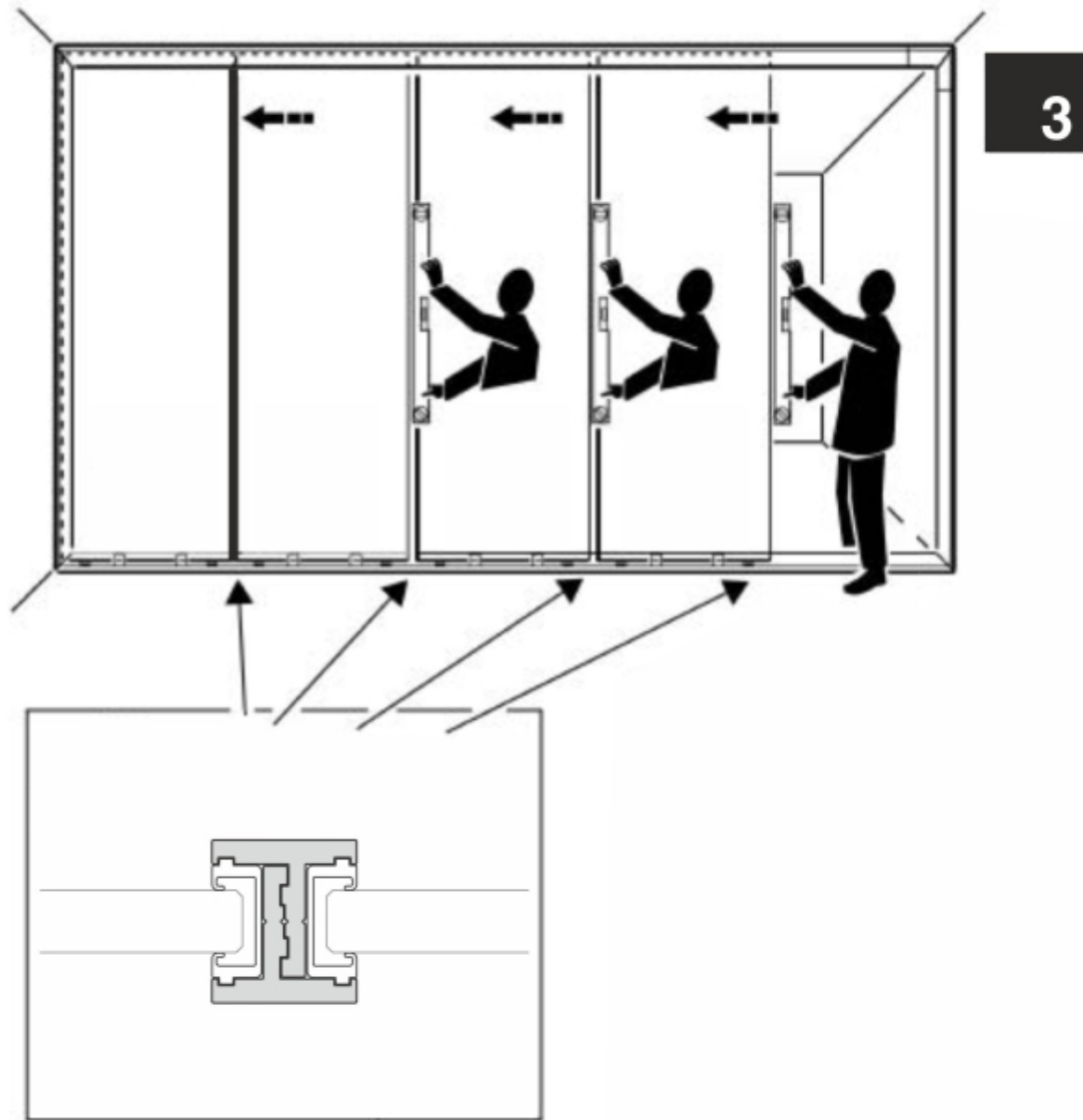


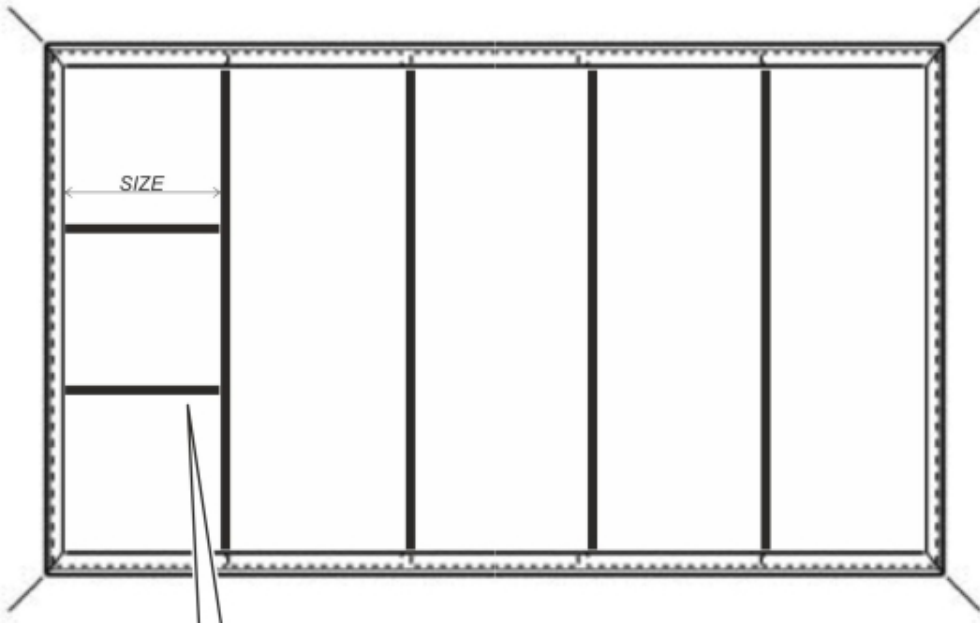





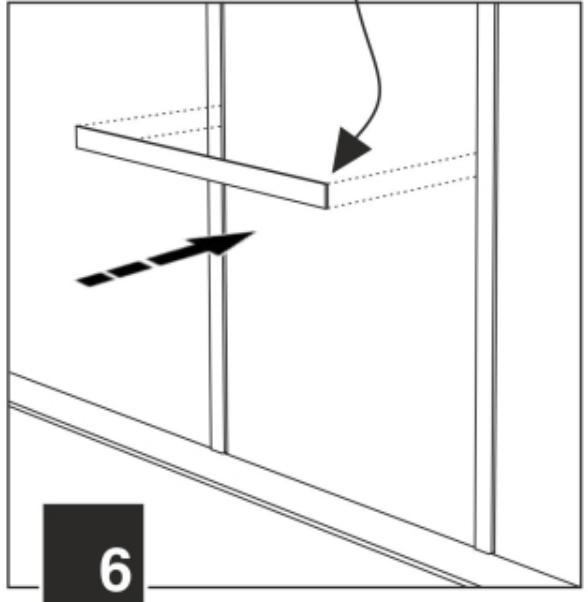
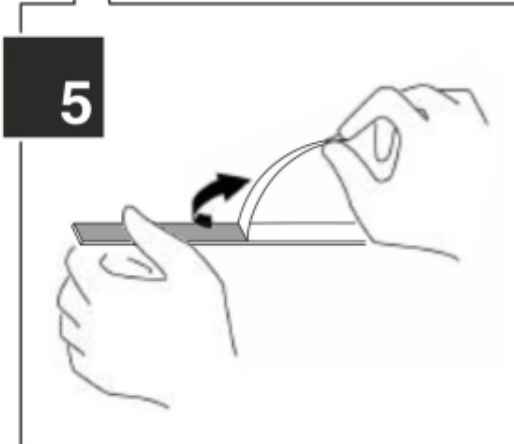
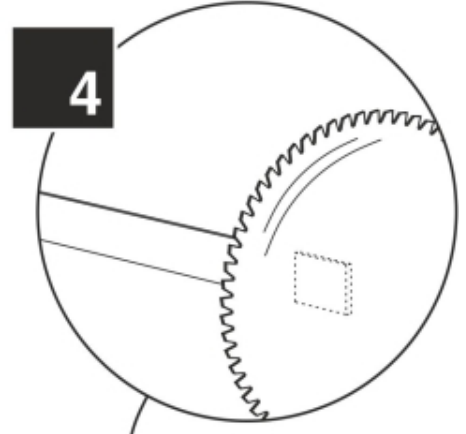
**WAREHOUSE STYLE MOUNTING (OPTIONAL),  
IN BASE TO THE PROJECT SPECIFICATIONS.**

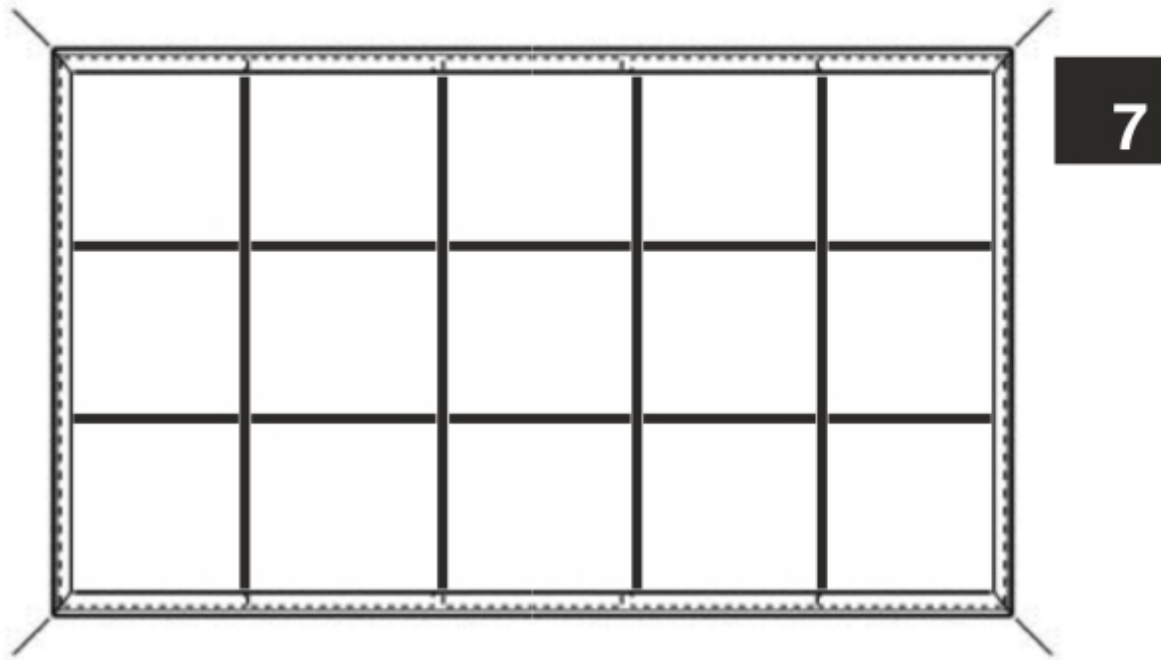






 VERIFY THE SIZE OF THE MULLION, AND CUT ON SITE

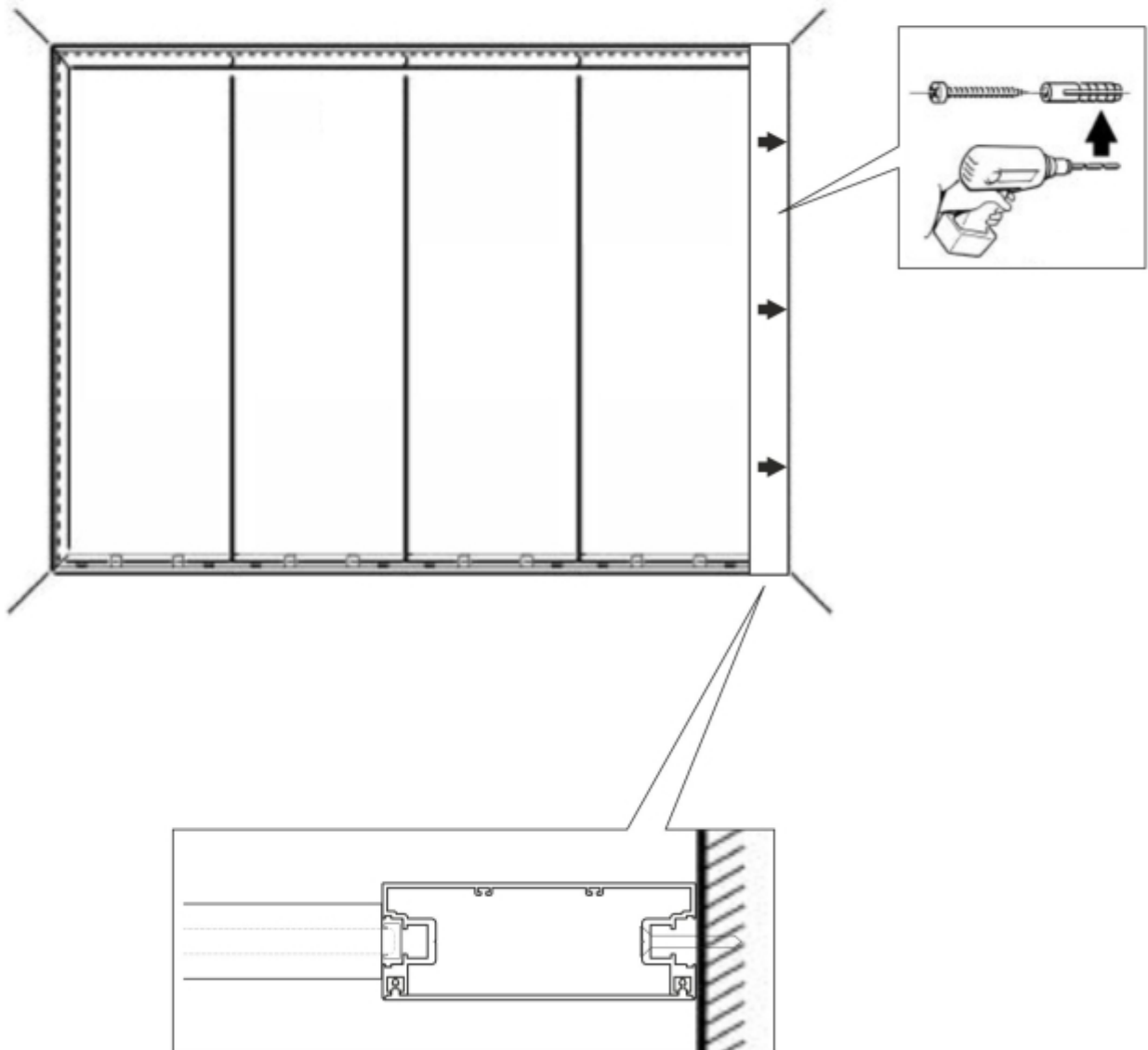


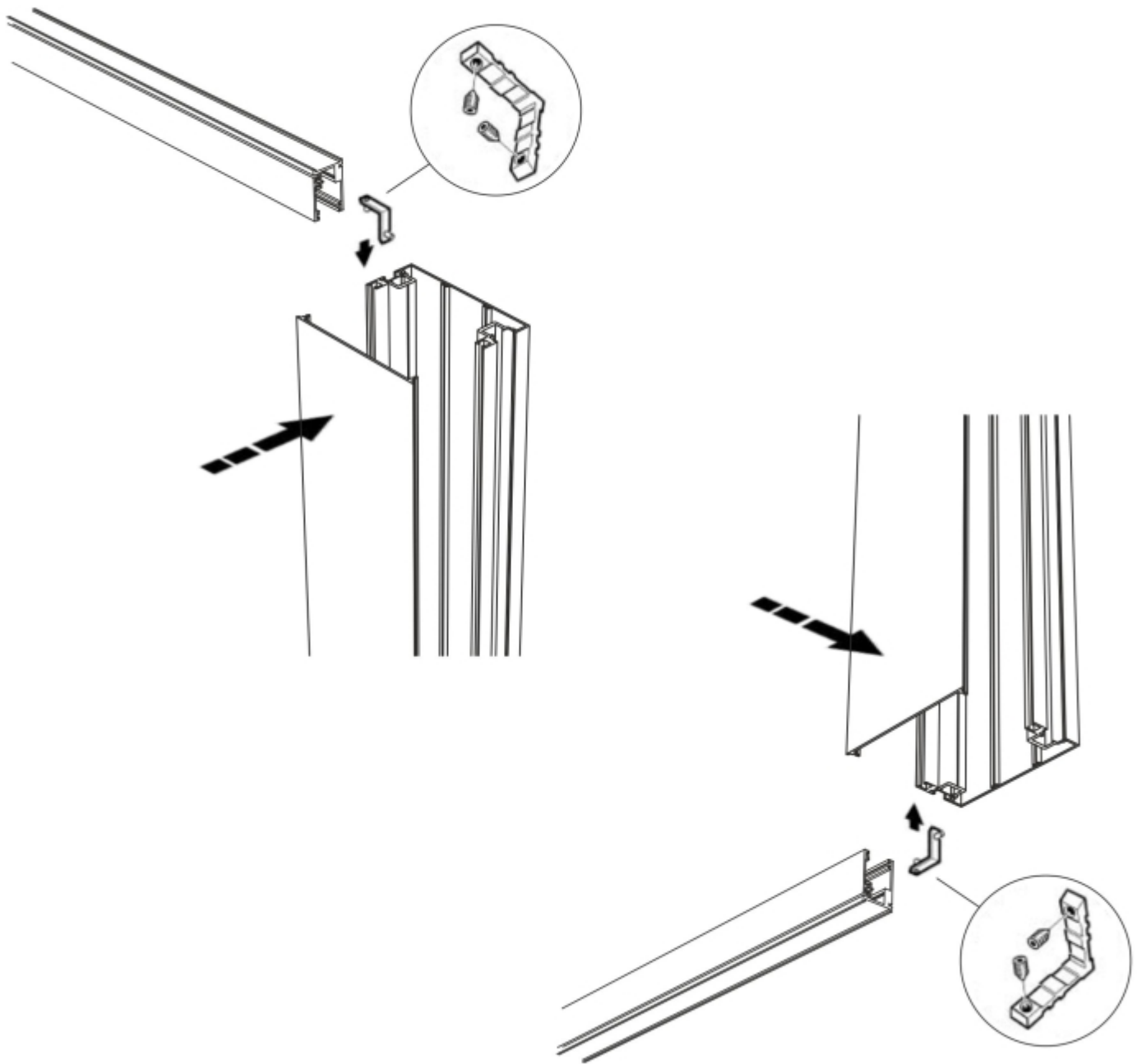




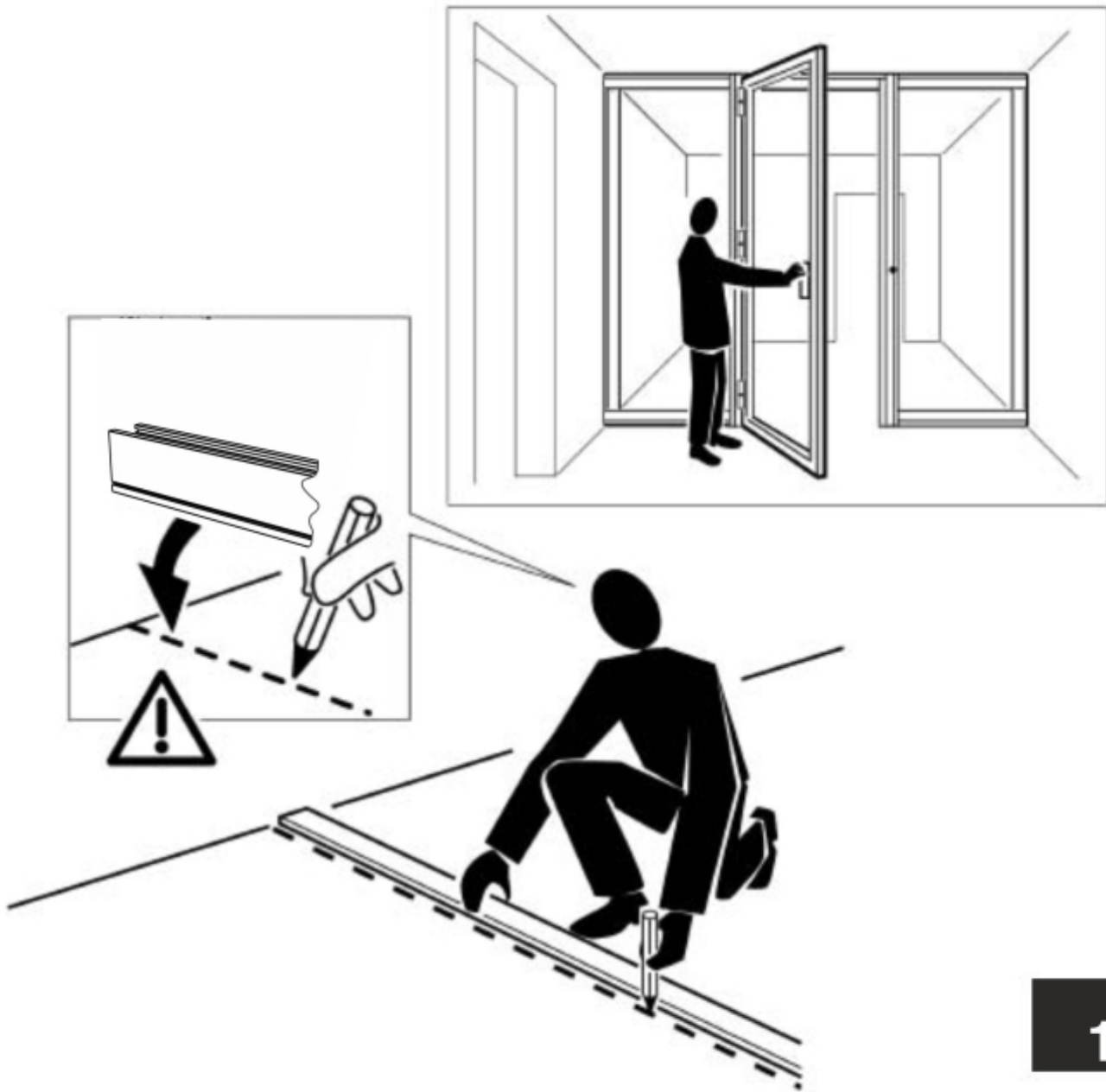


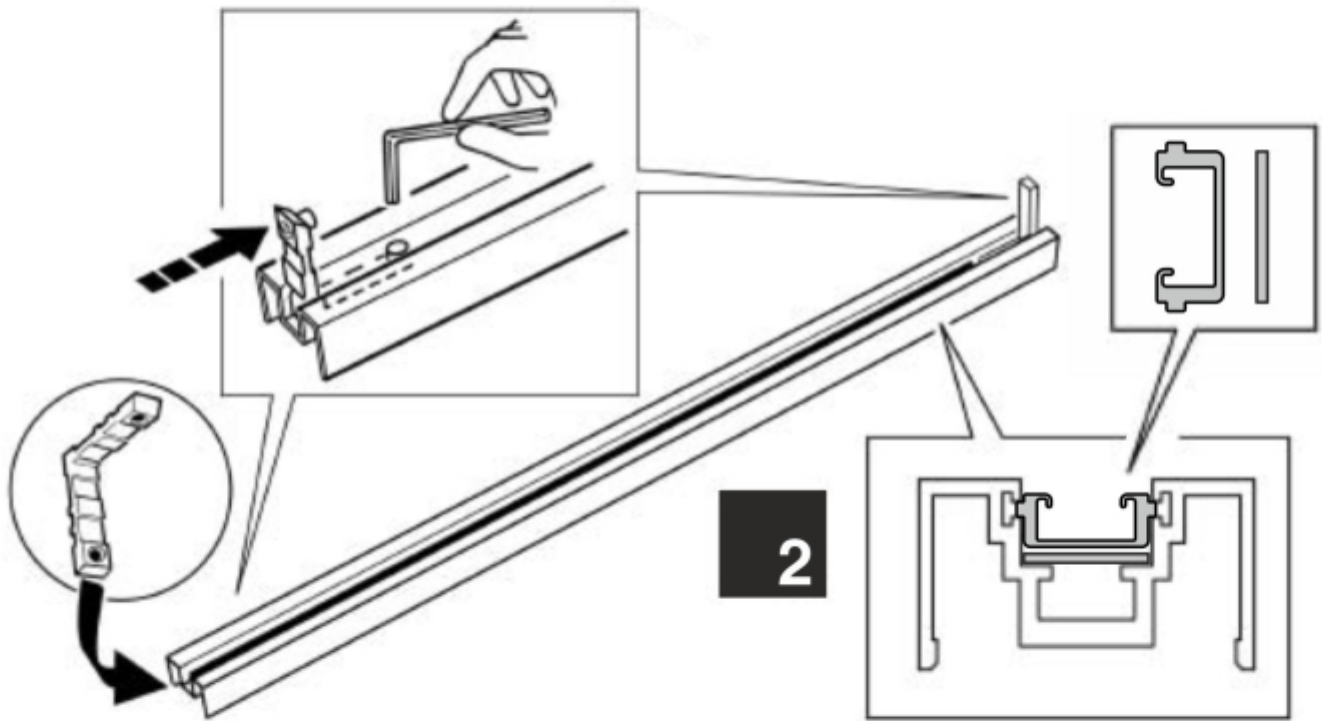
**MANAGMENT BOX INSTALLATION (OPTIONAL),  
IN BASE TO THE PROJECT SPECIFICATIONS.**

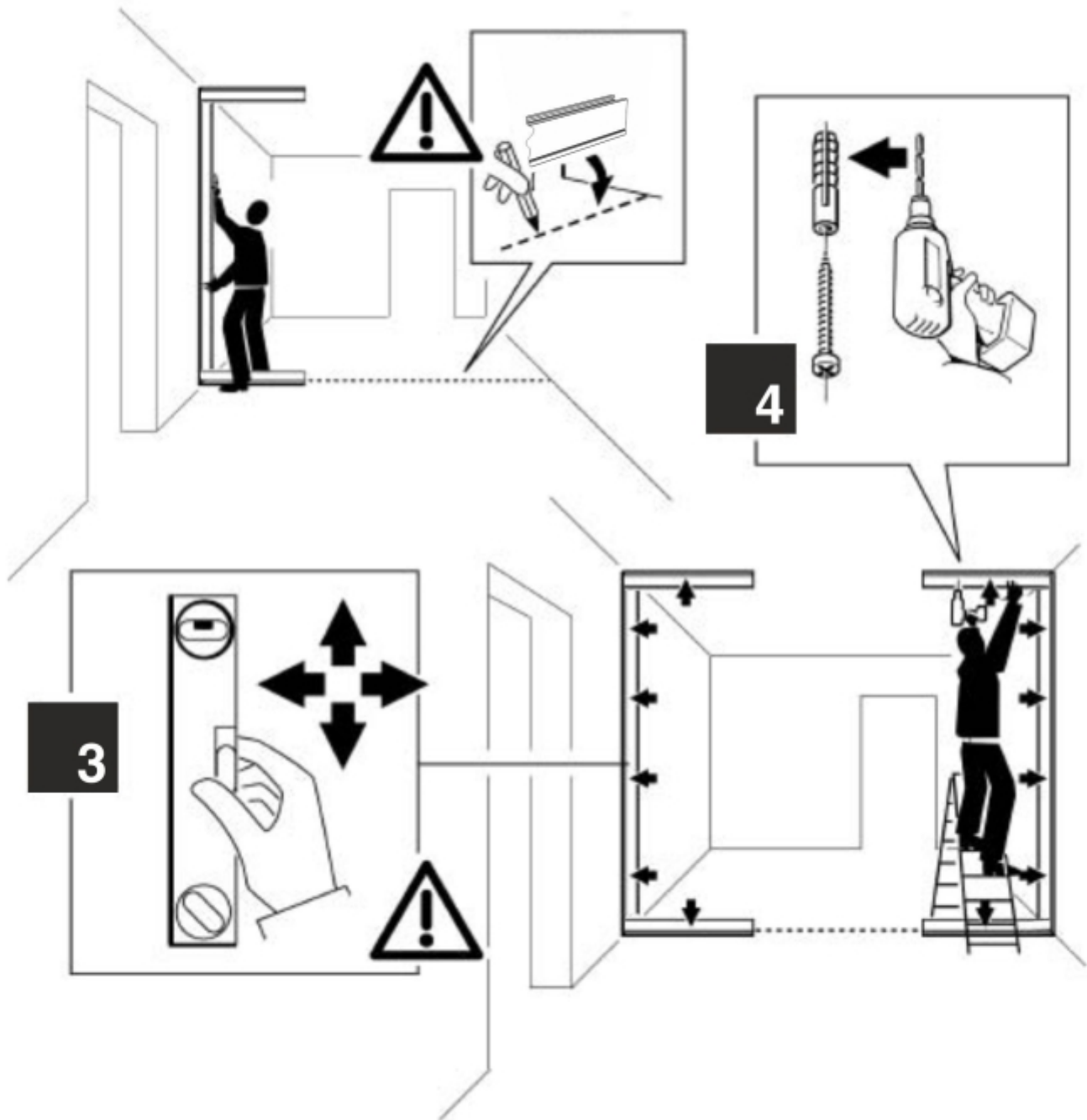


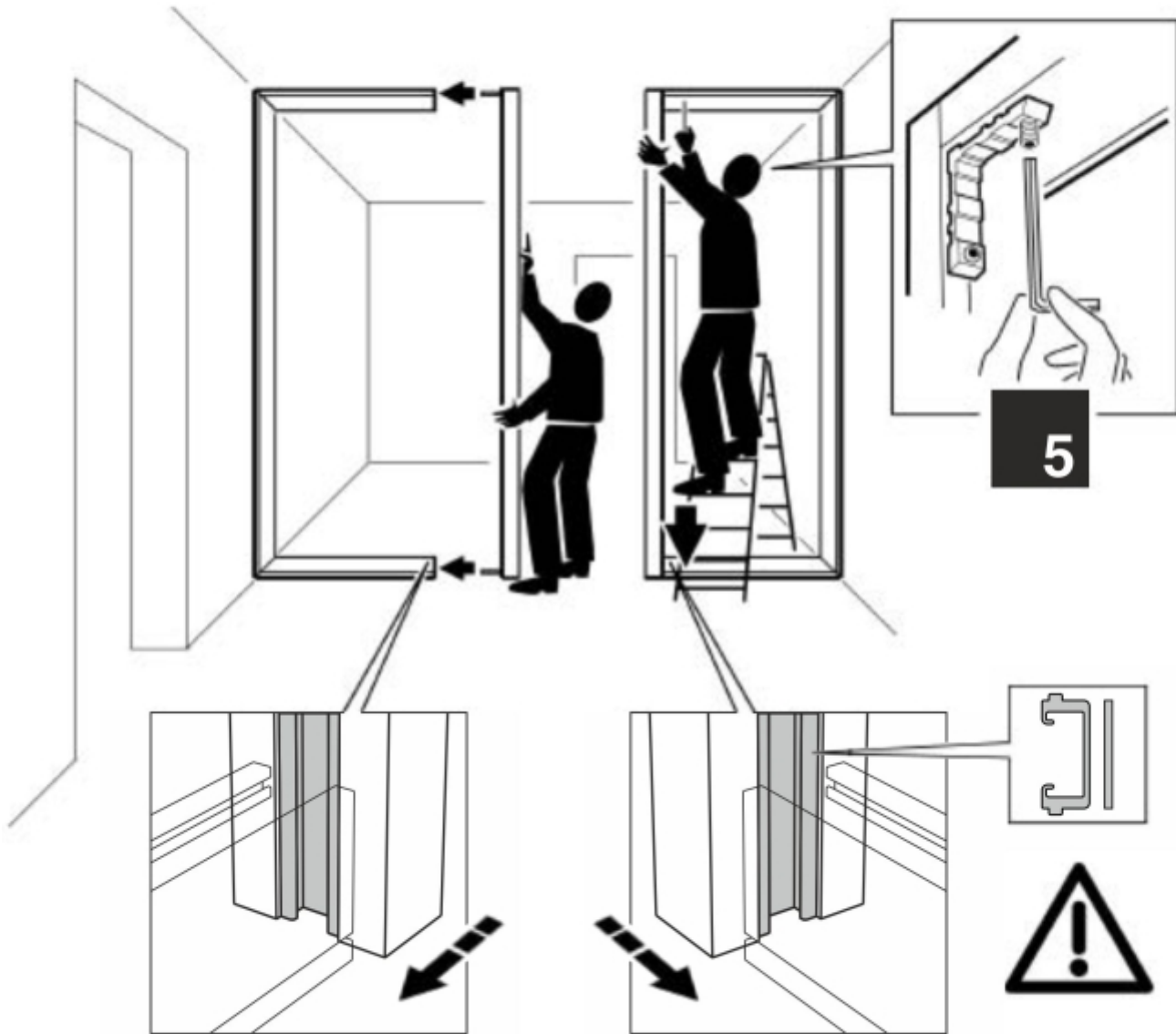


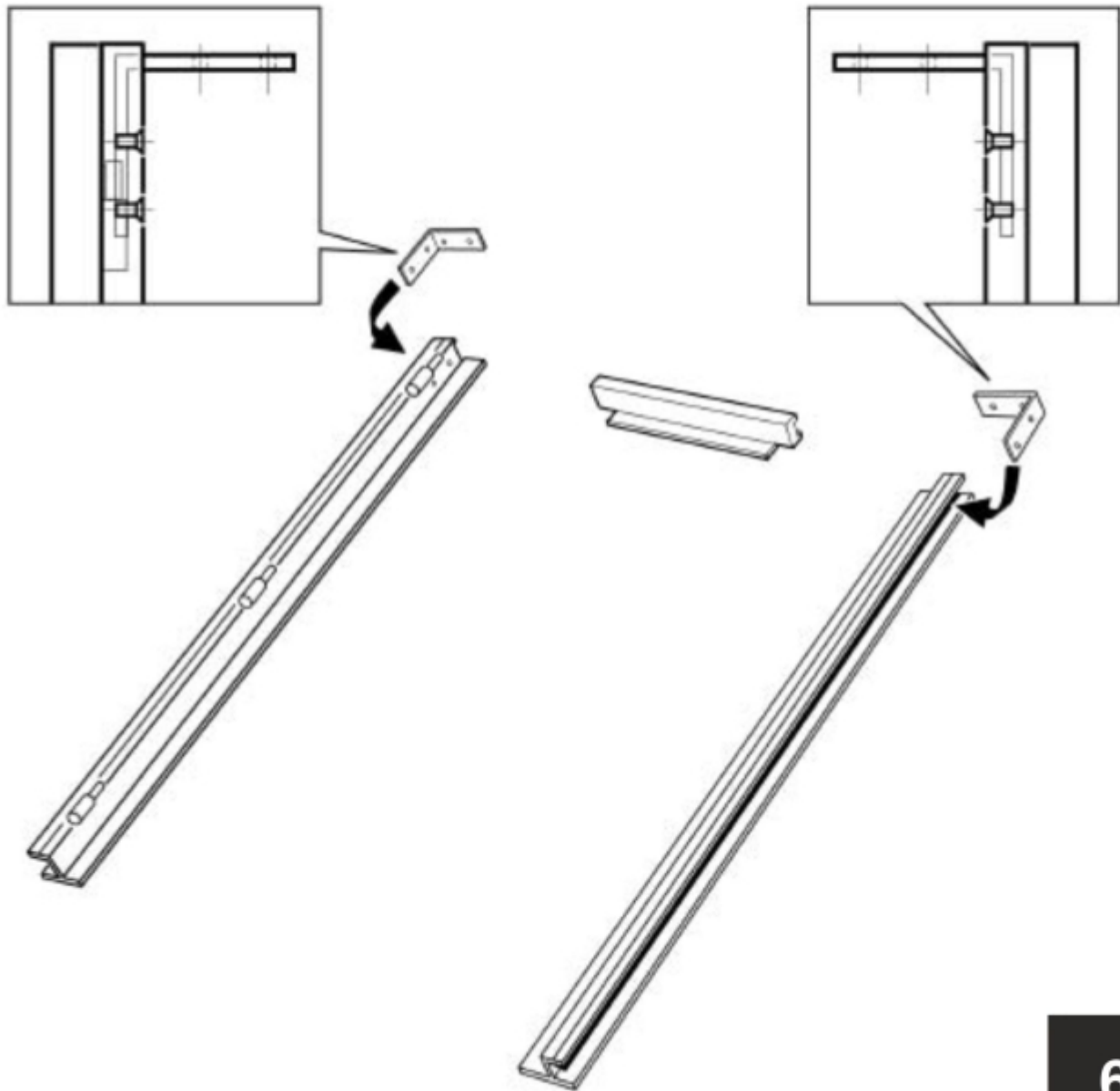
# HINGED DOOR



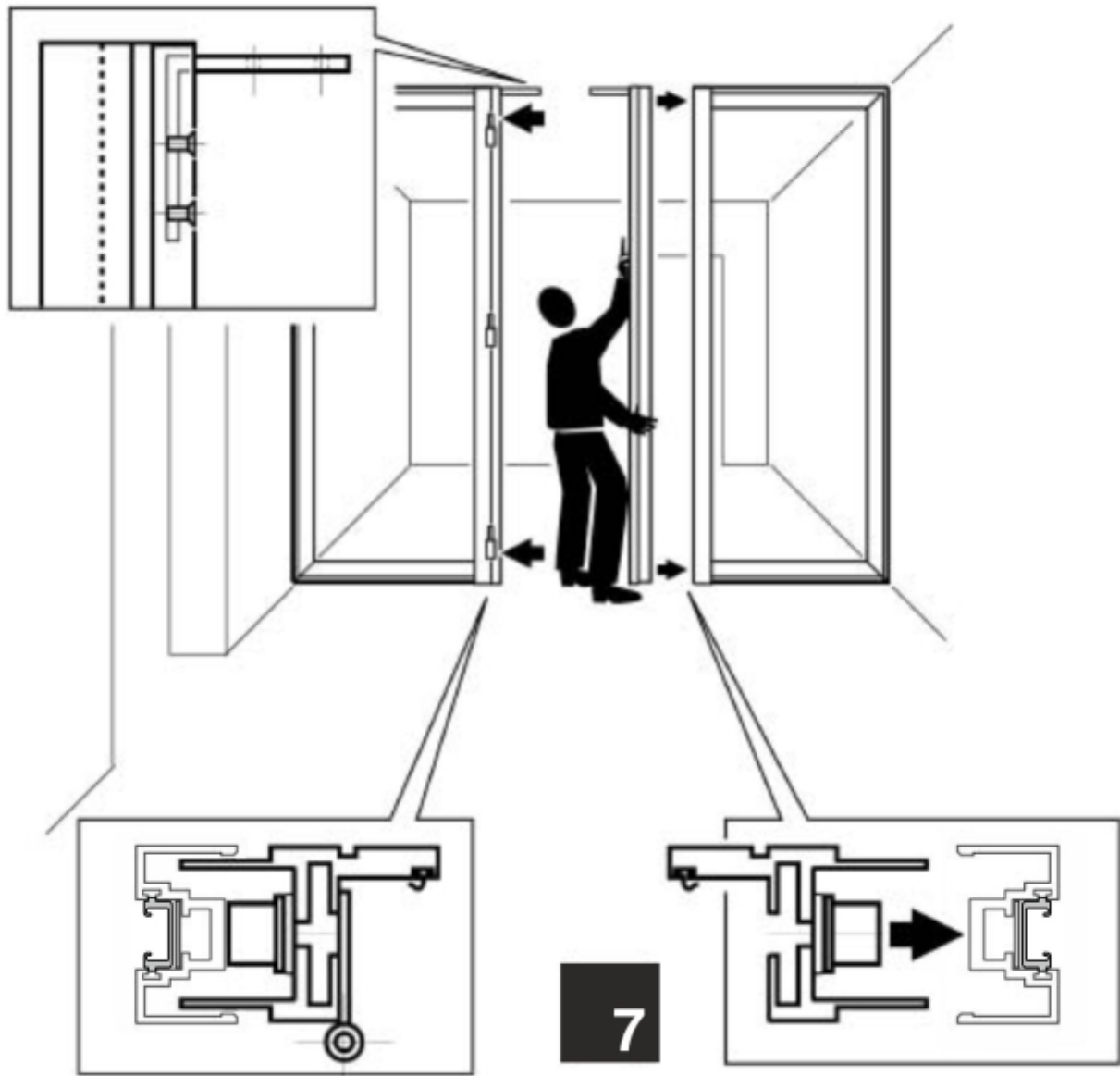




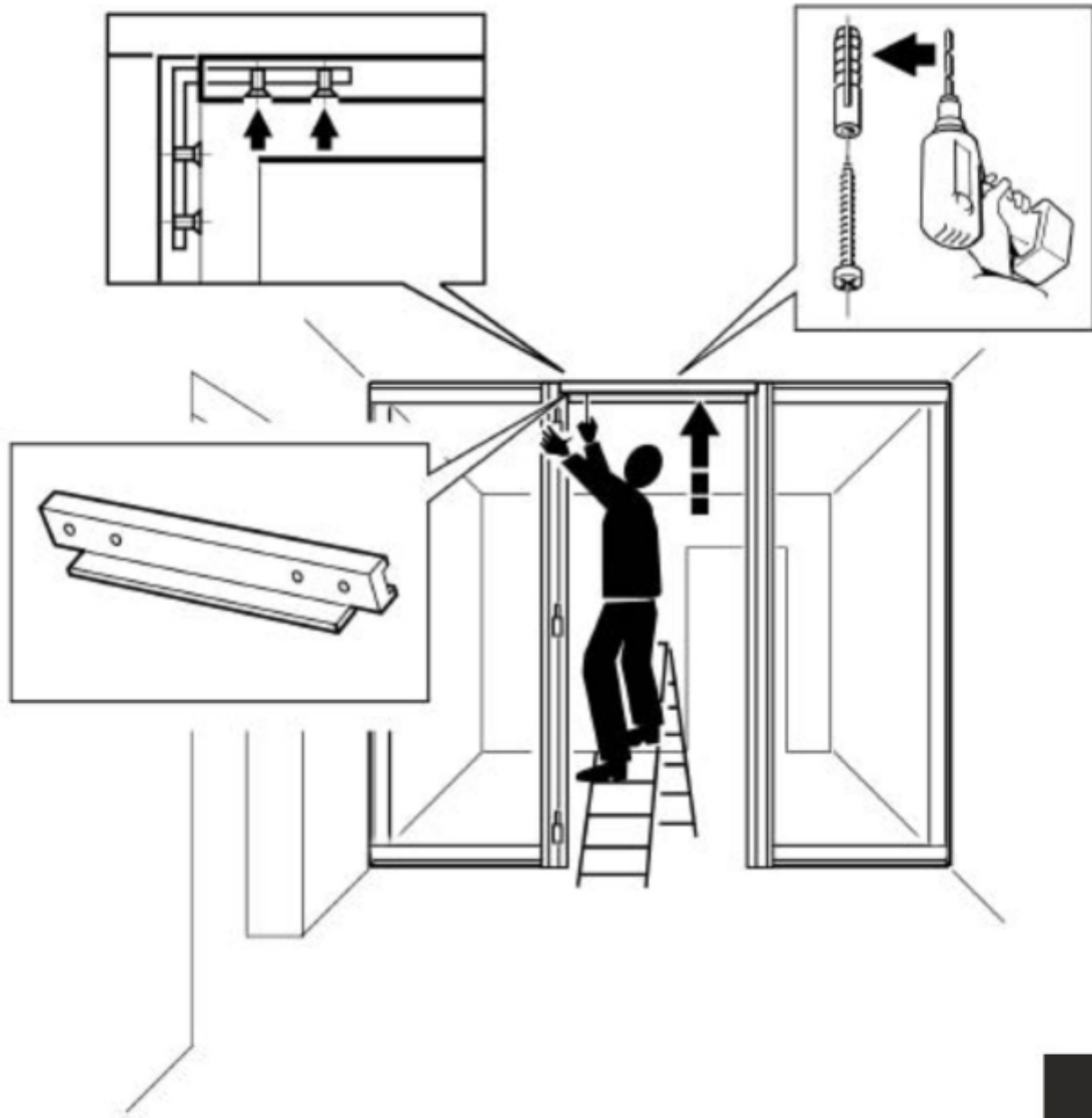


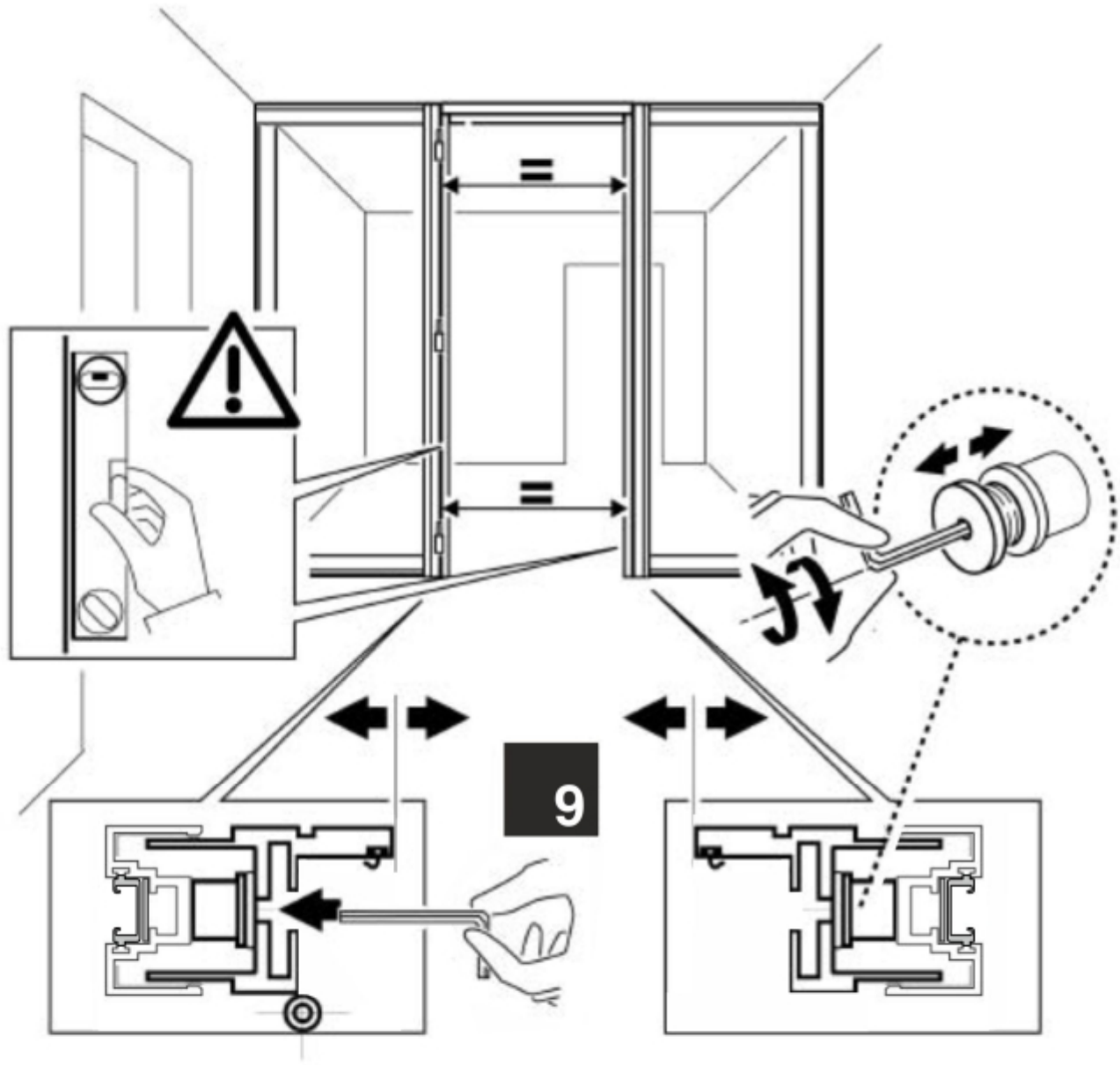


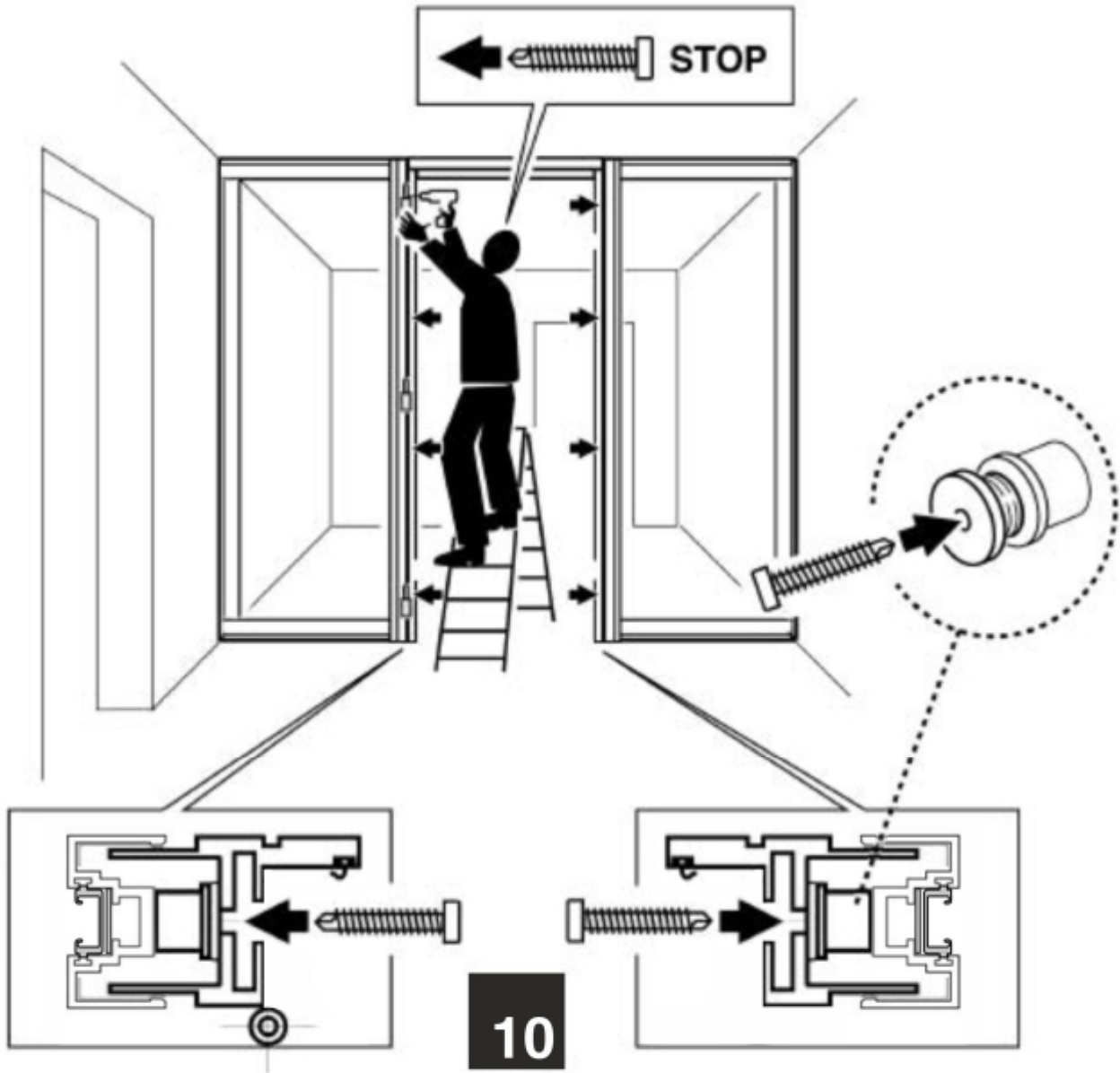
6





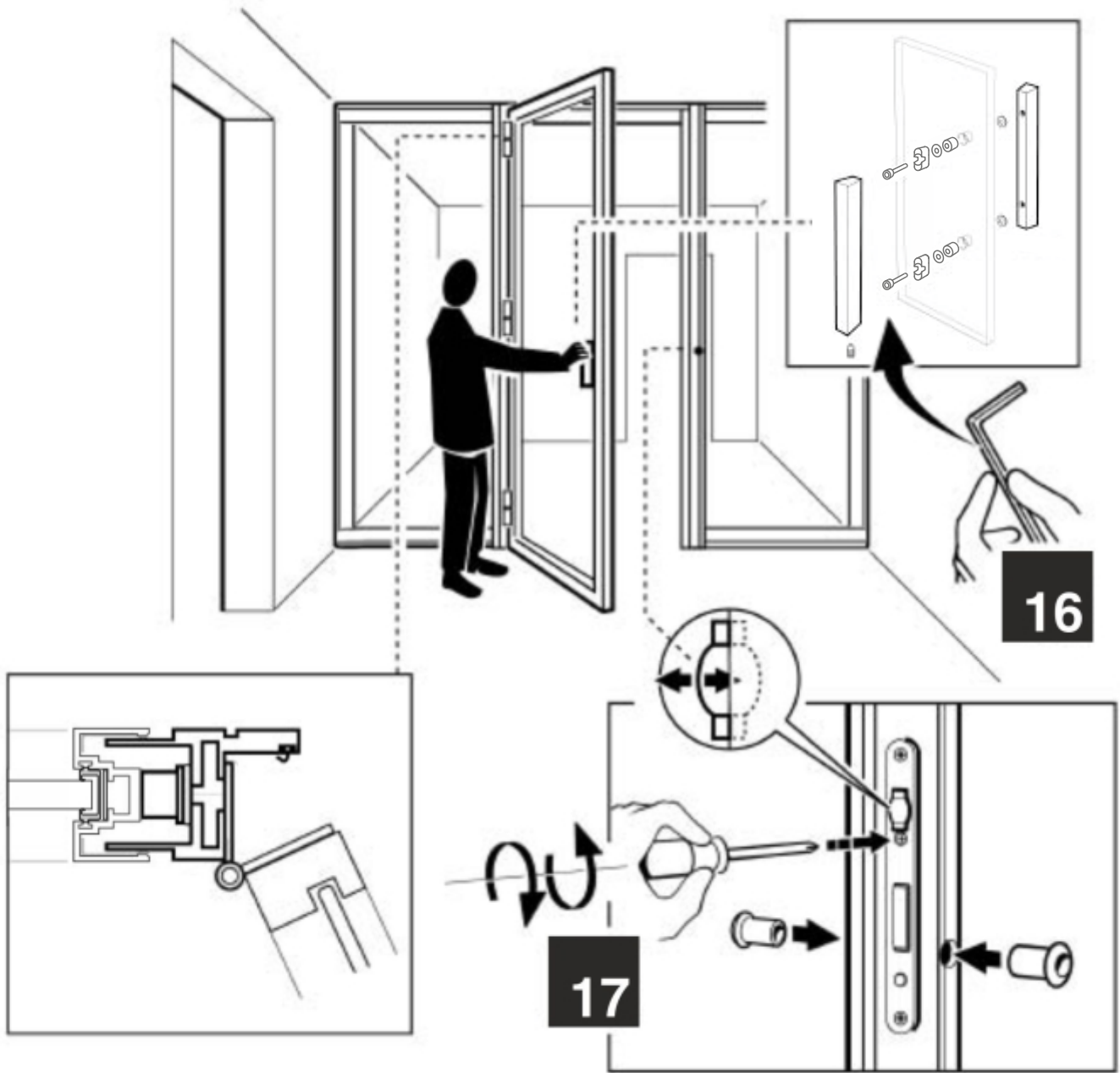


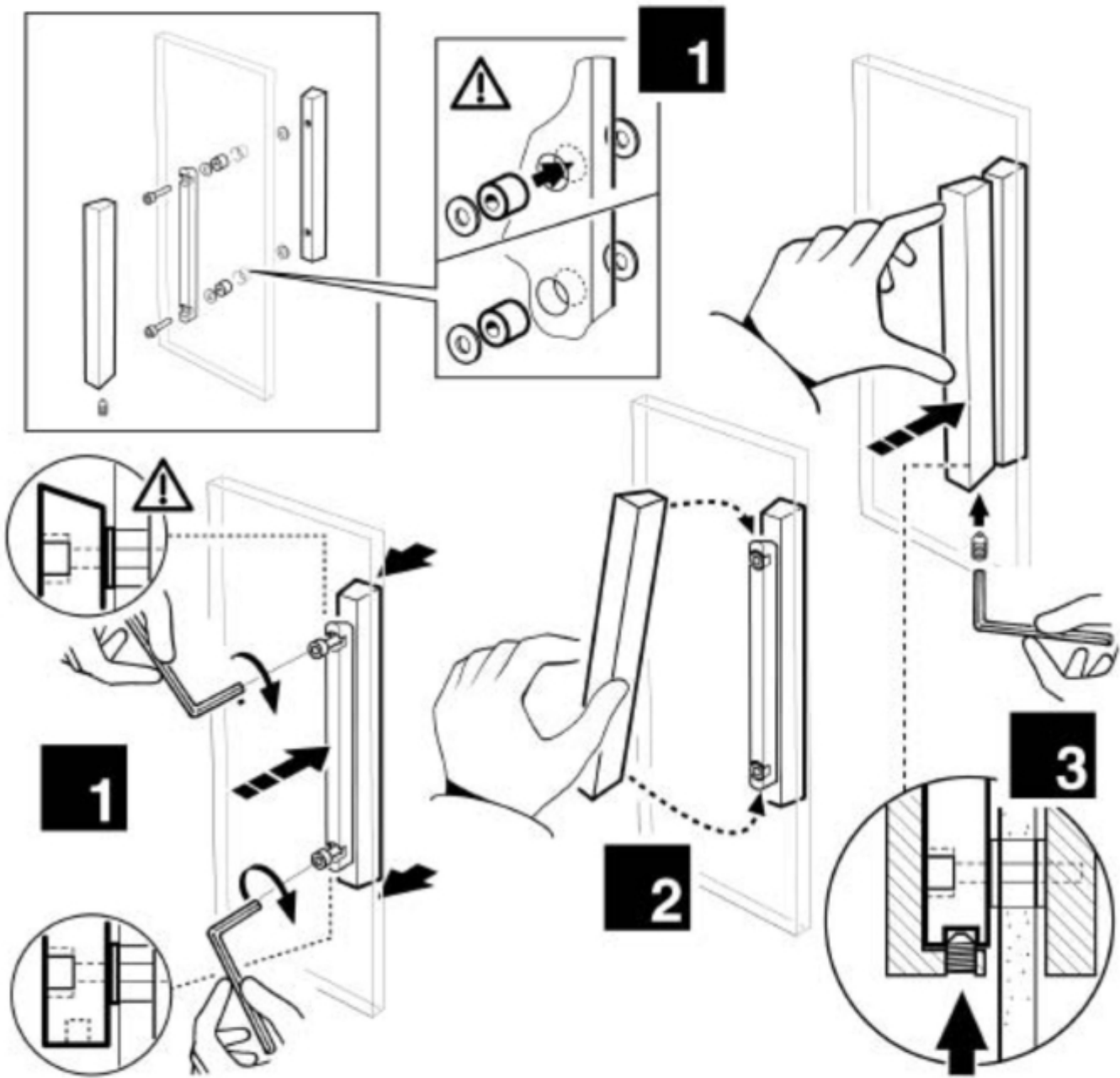




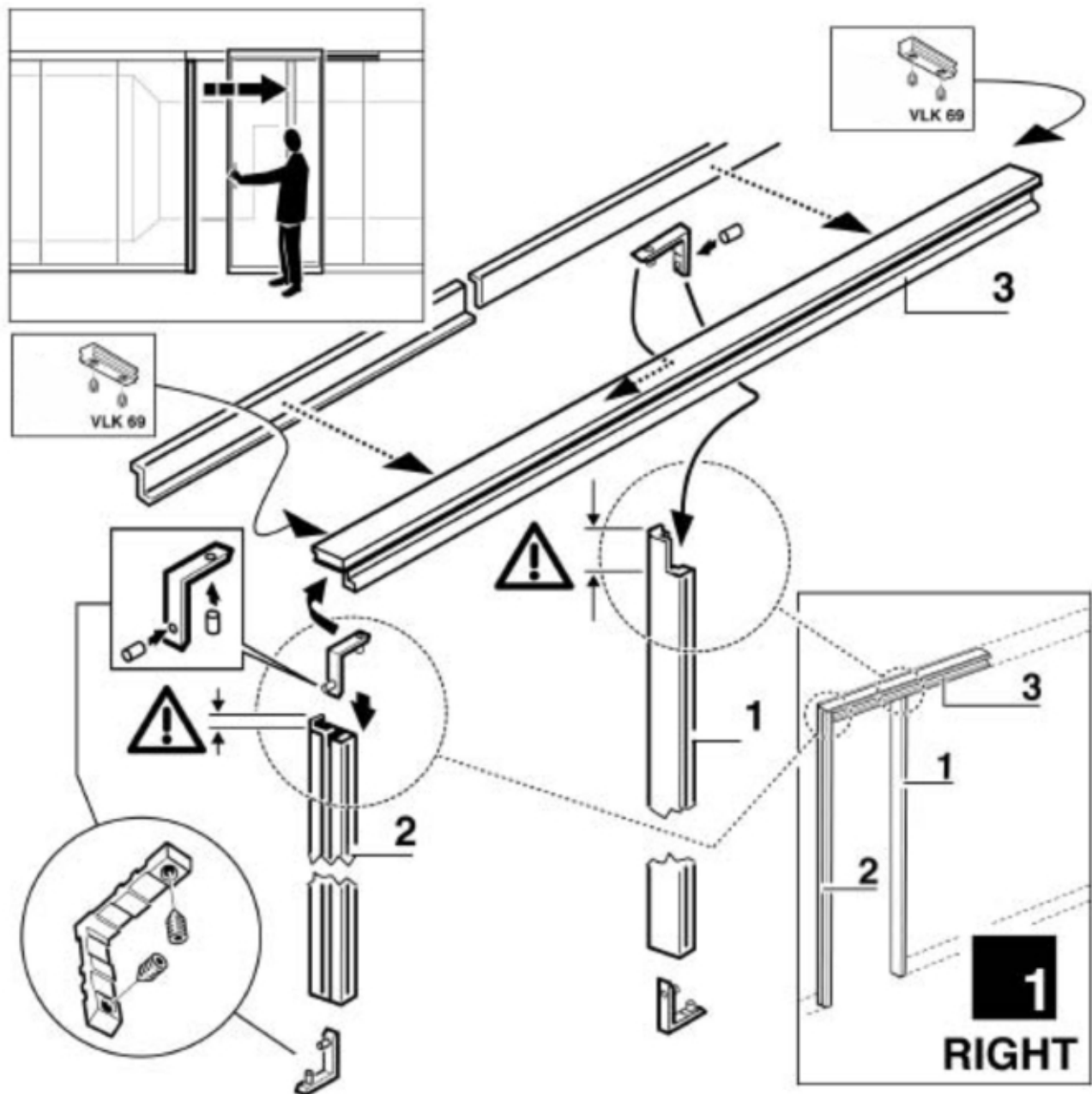




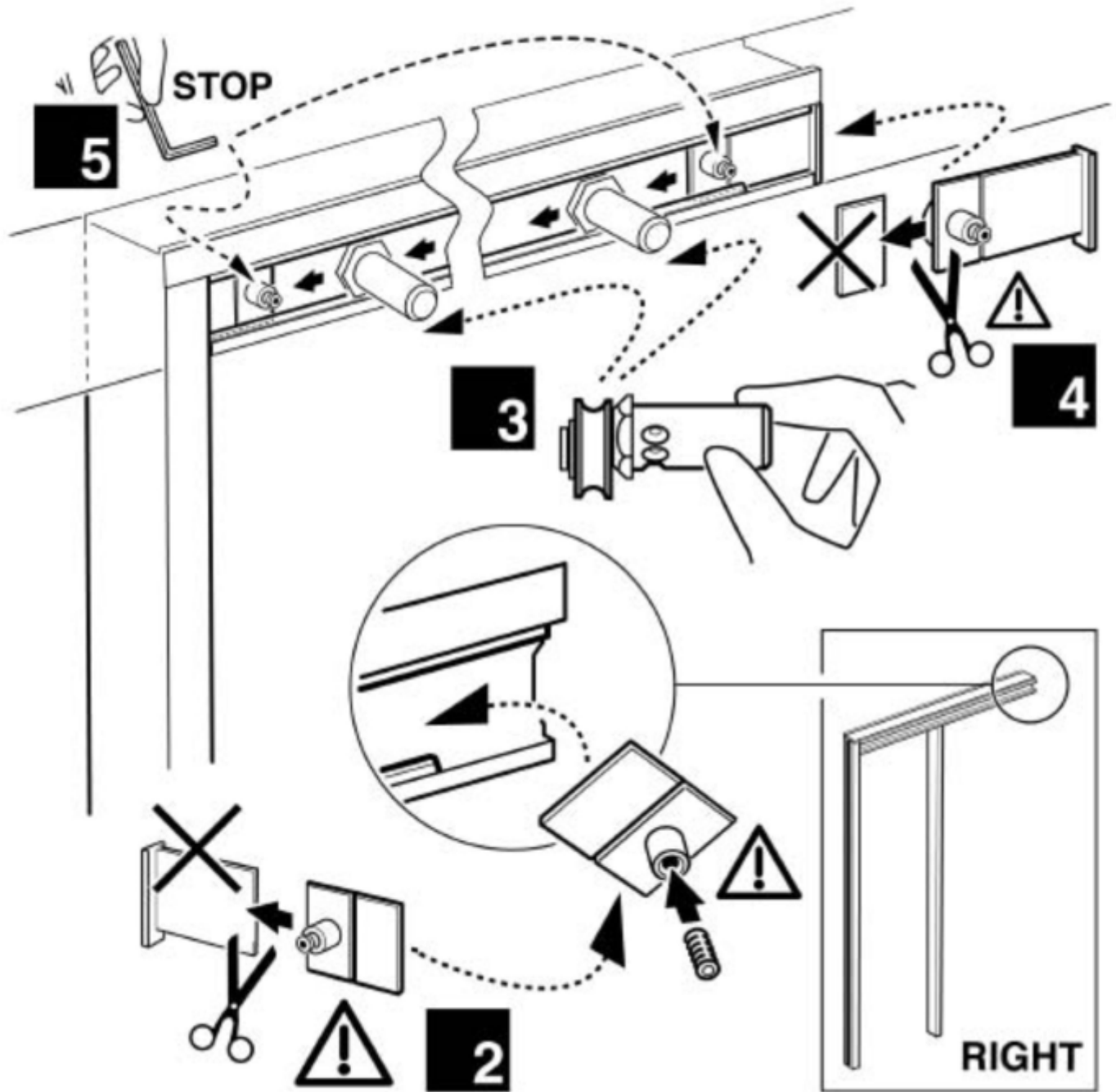


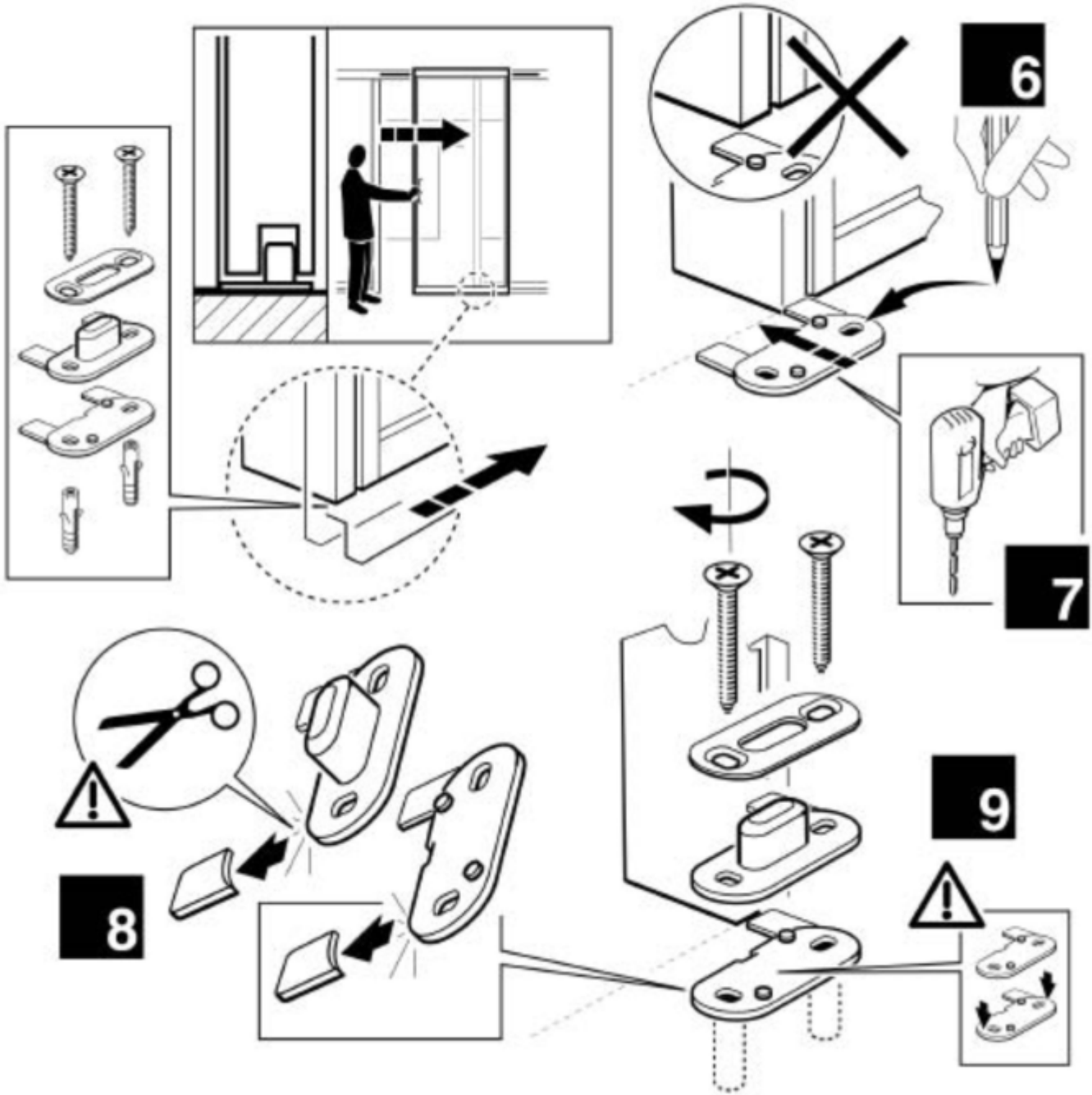


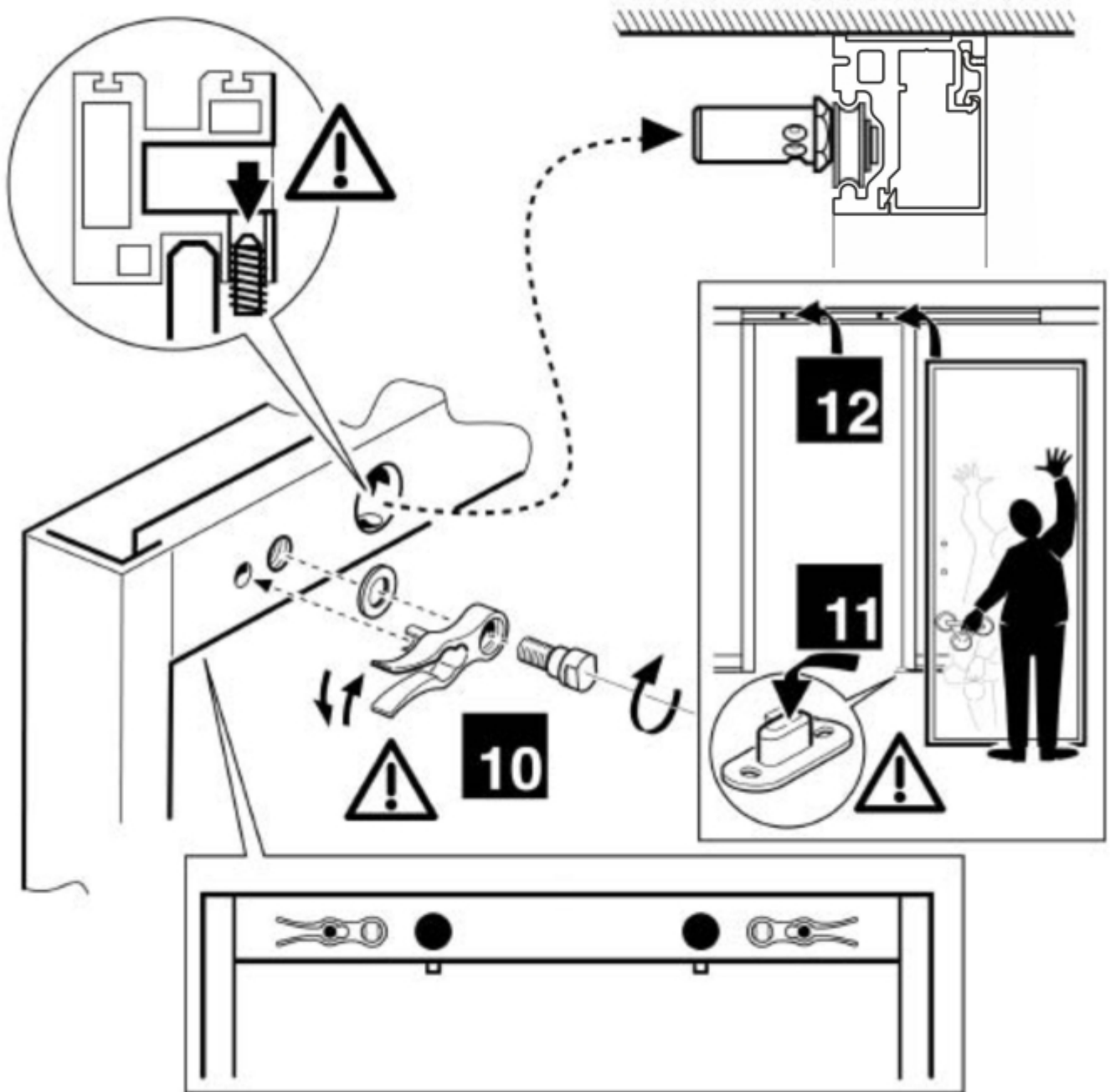
# FRAMED SLIDING DOOR

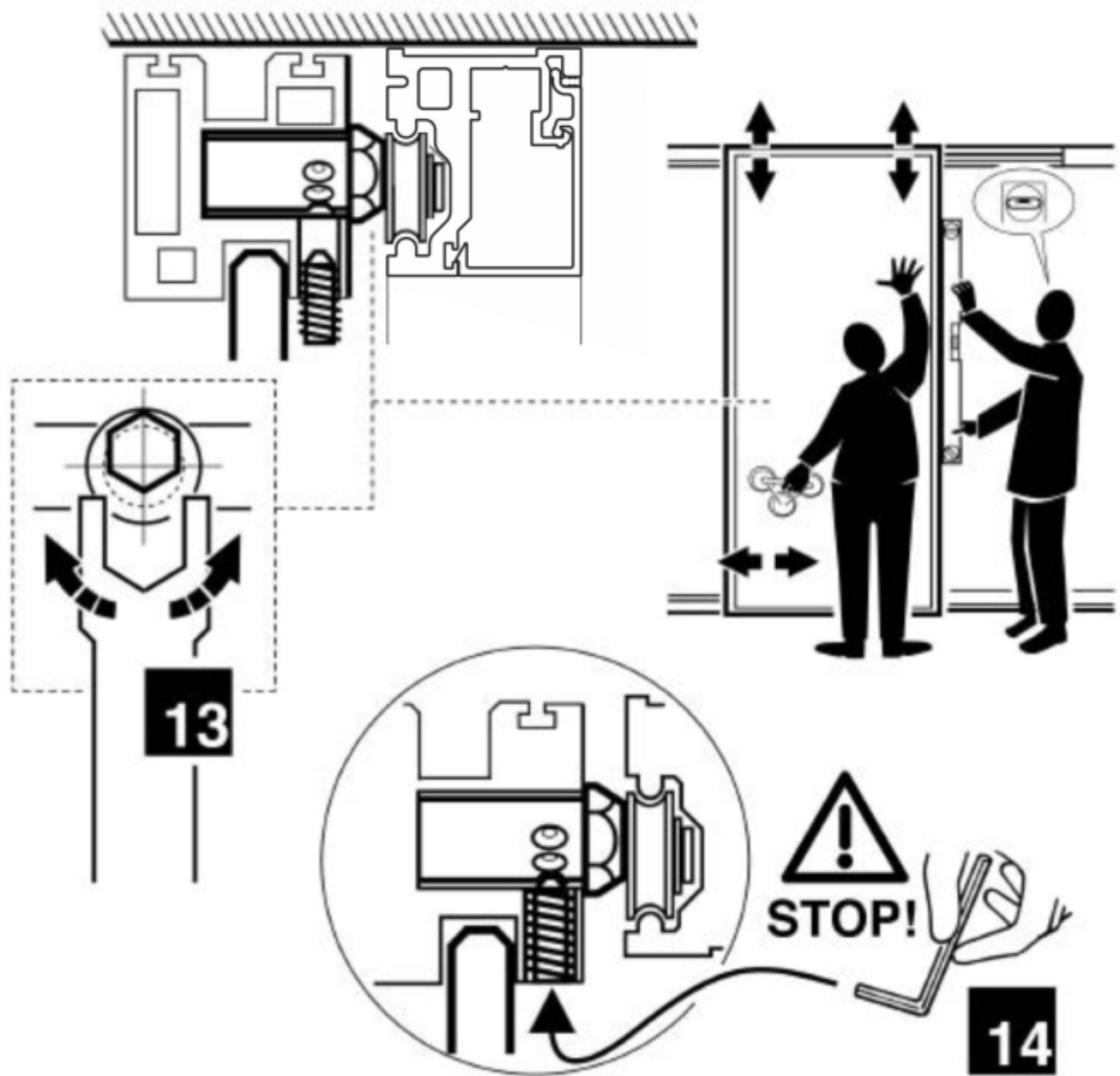


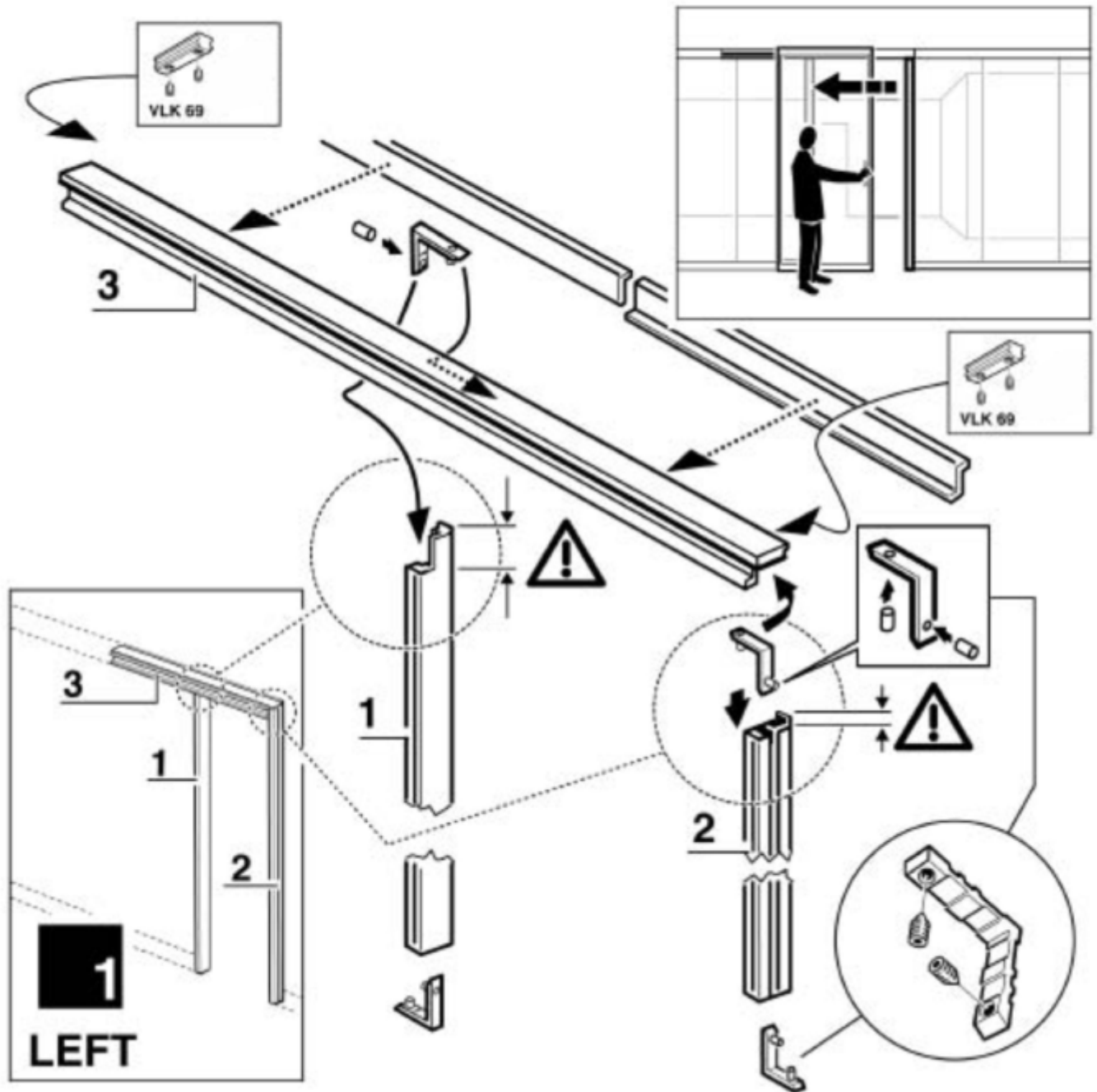


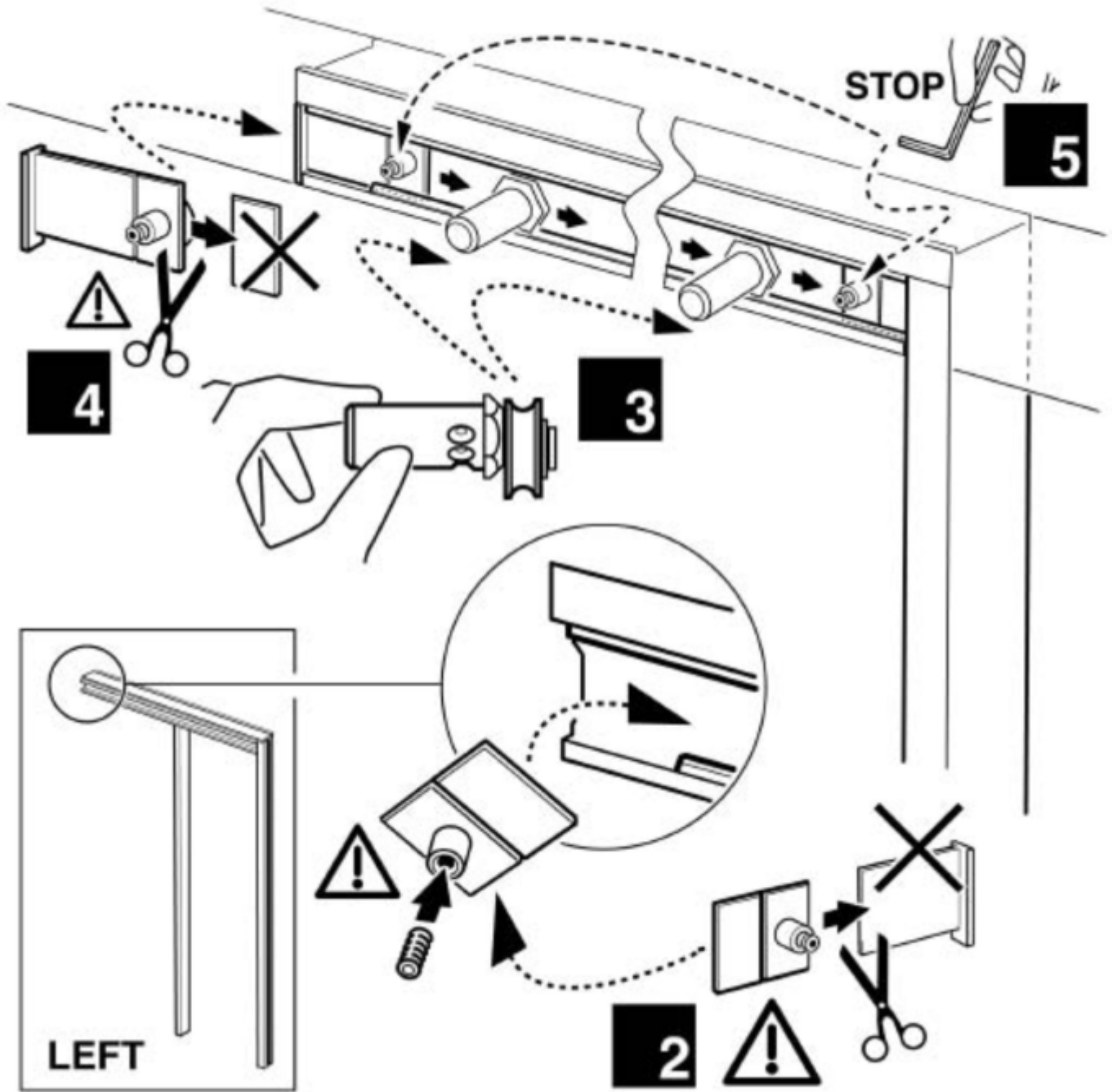




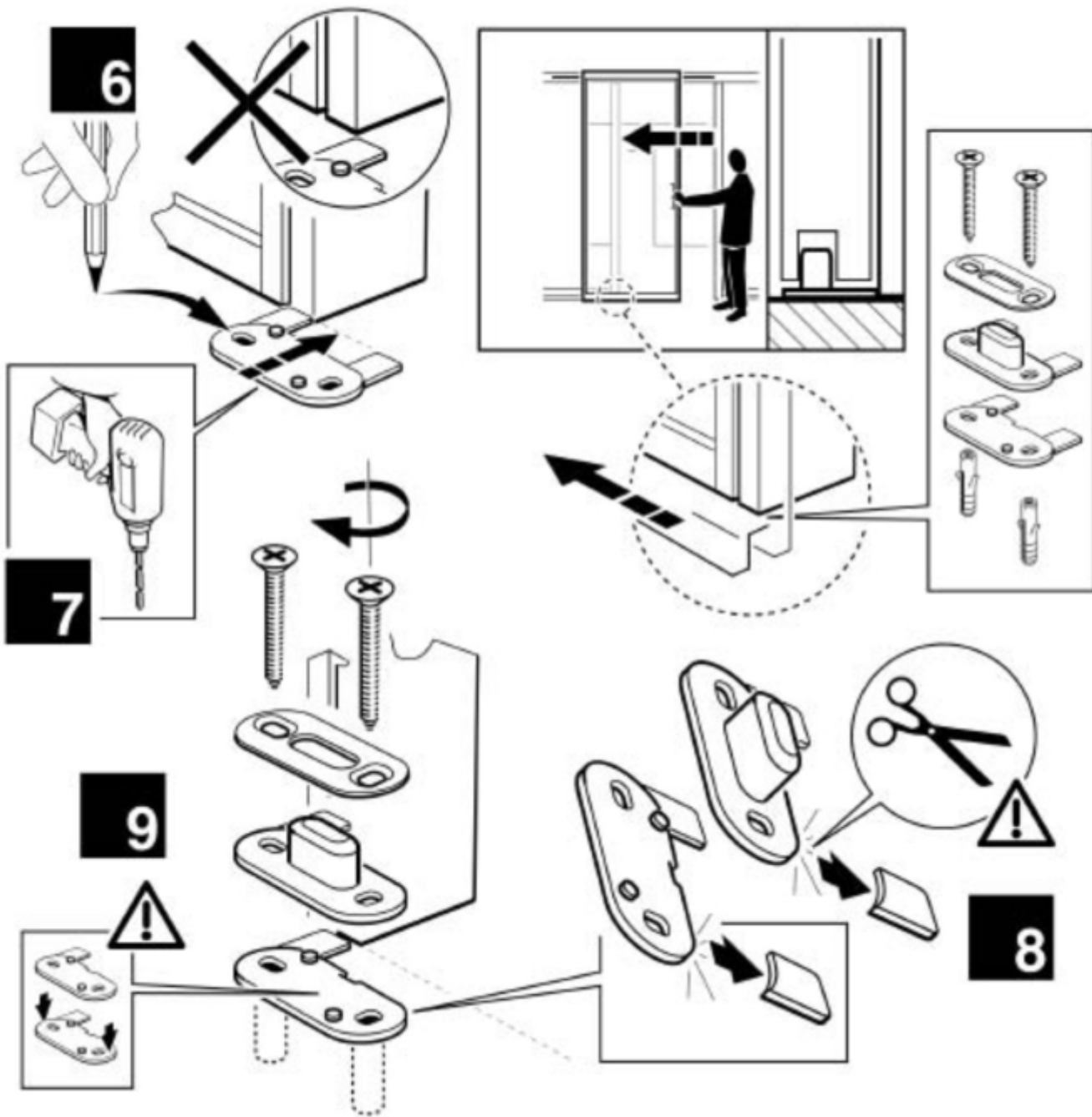




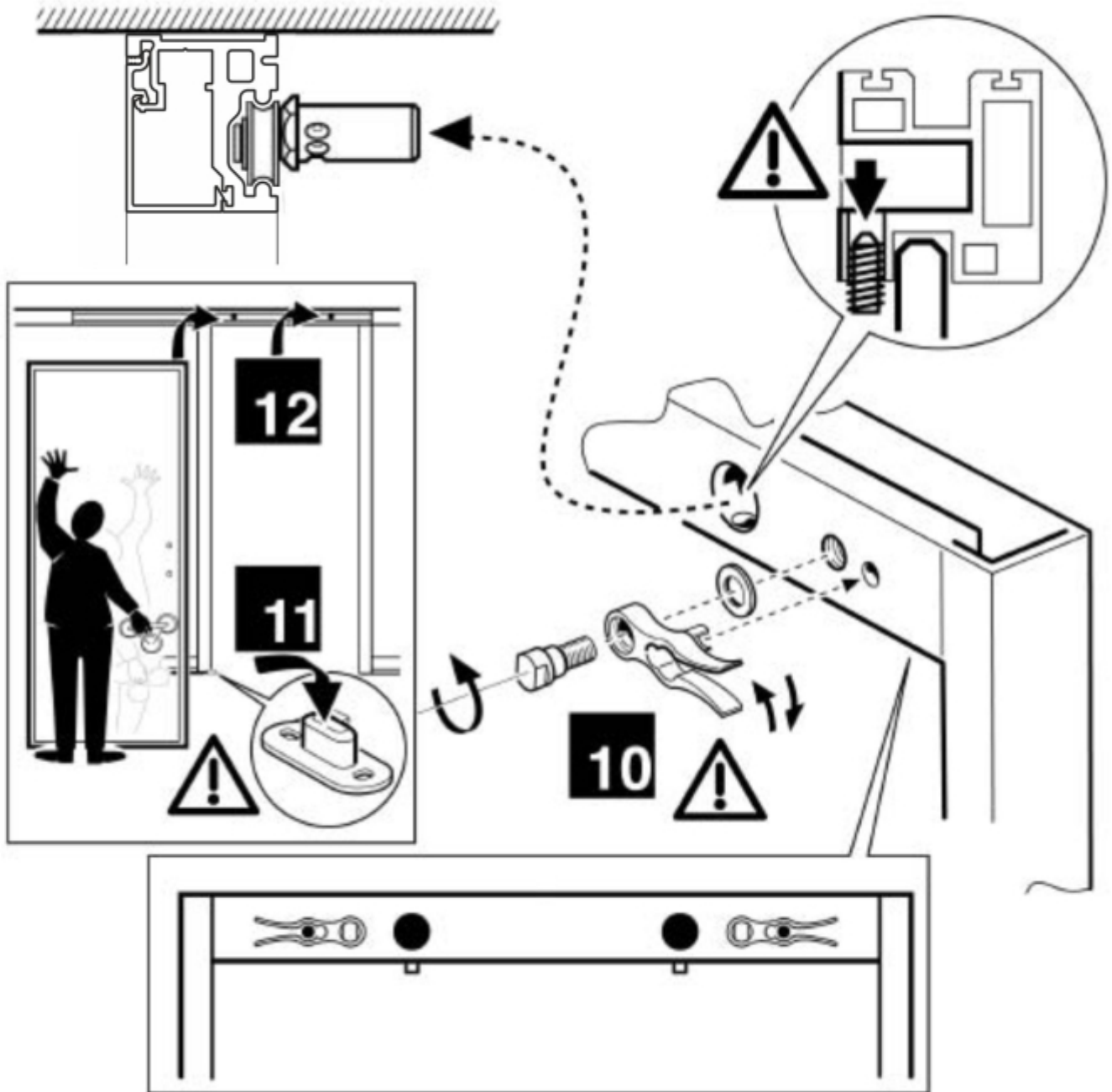




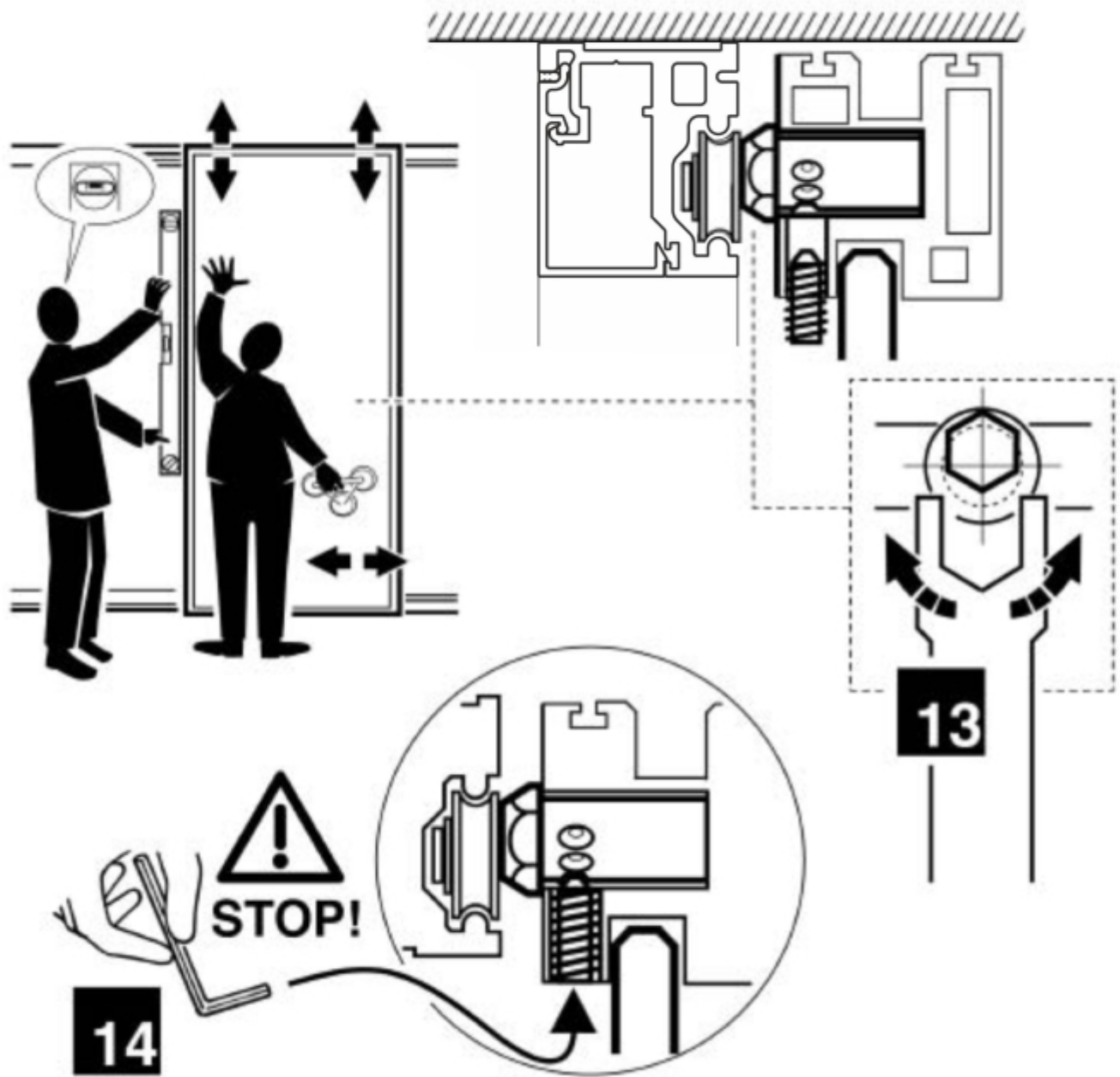


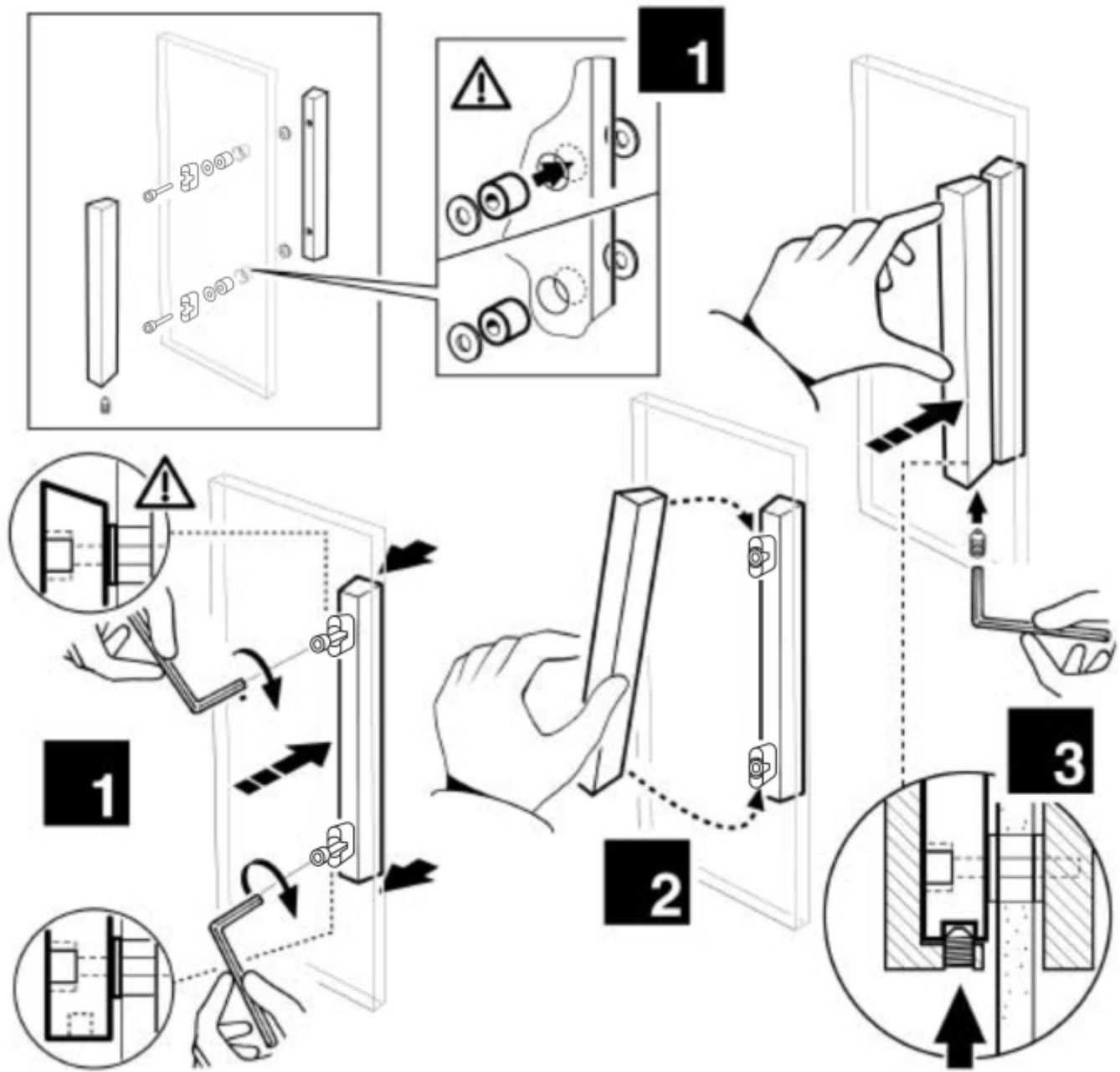


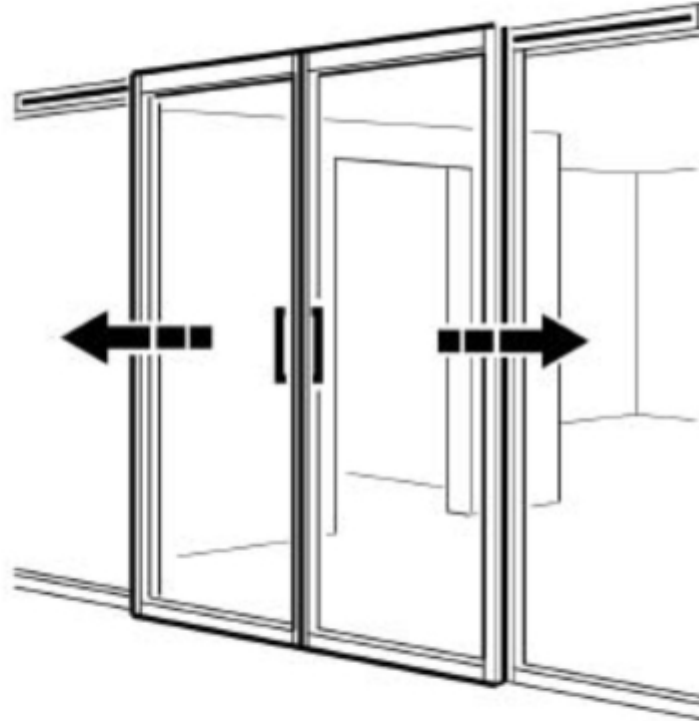
 USE FLOOR GUIDE AND L BRACKET (OPTIONAL), IN BASE TO THE PROJECT SPECIFICATIONS. (PAG.47)

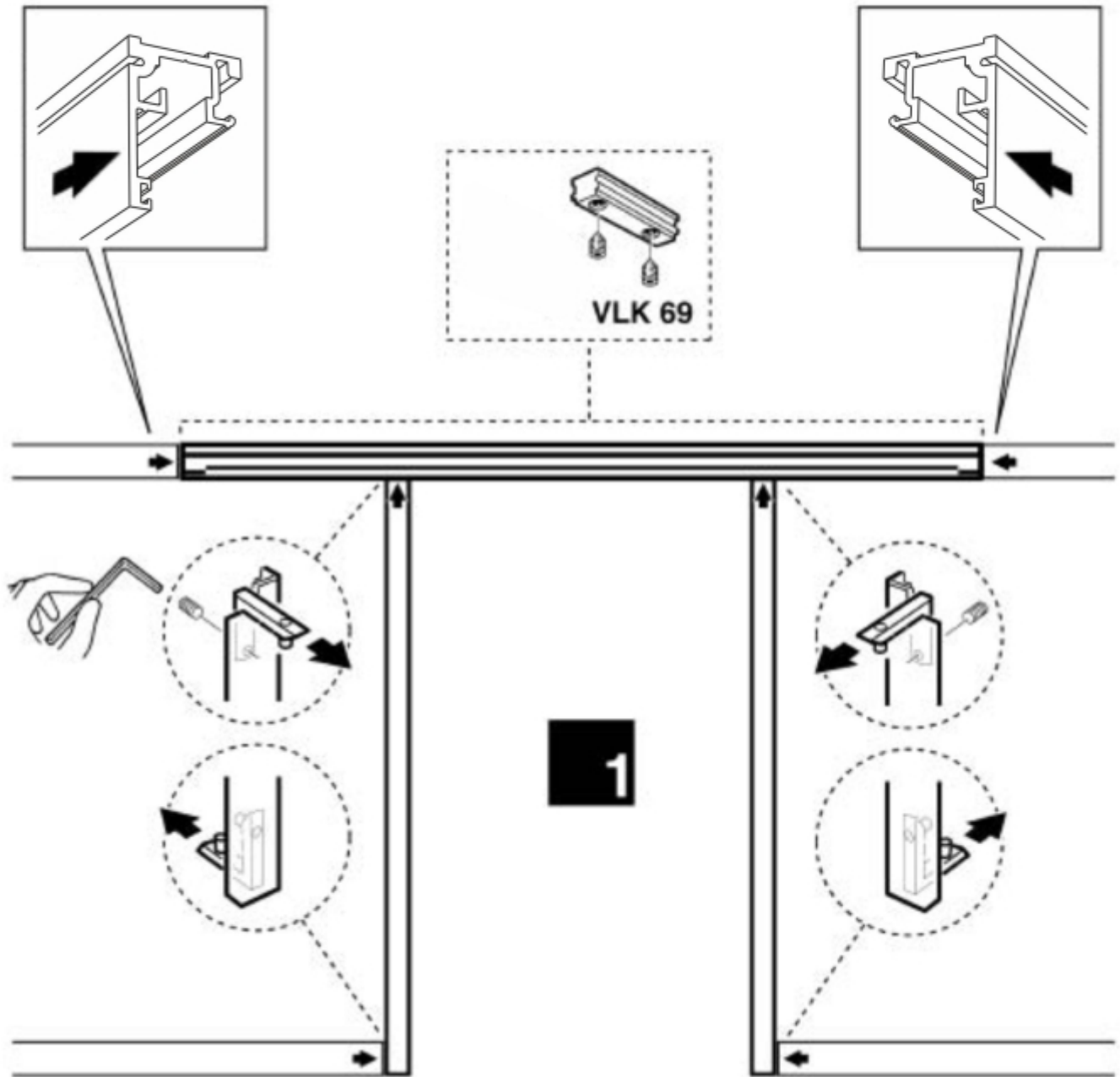


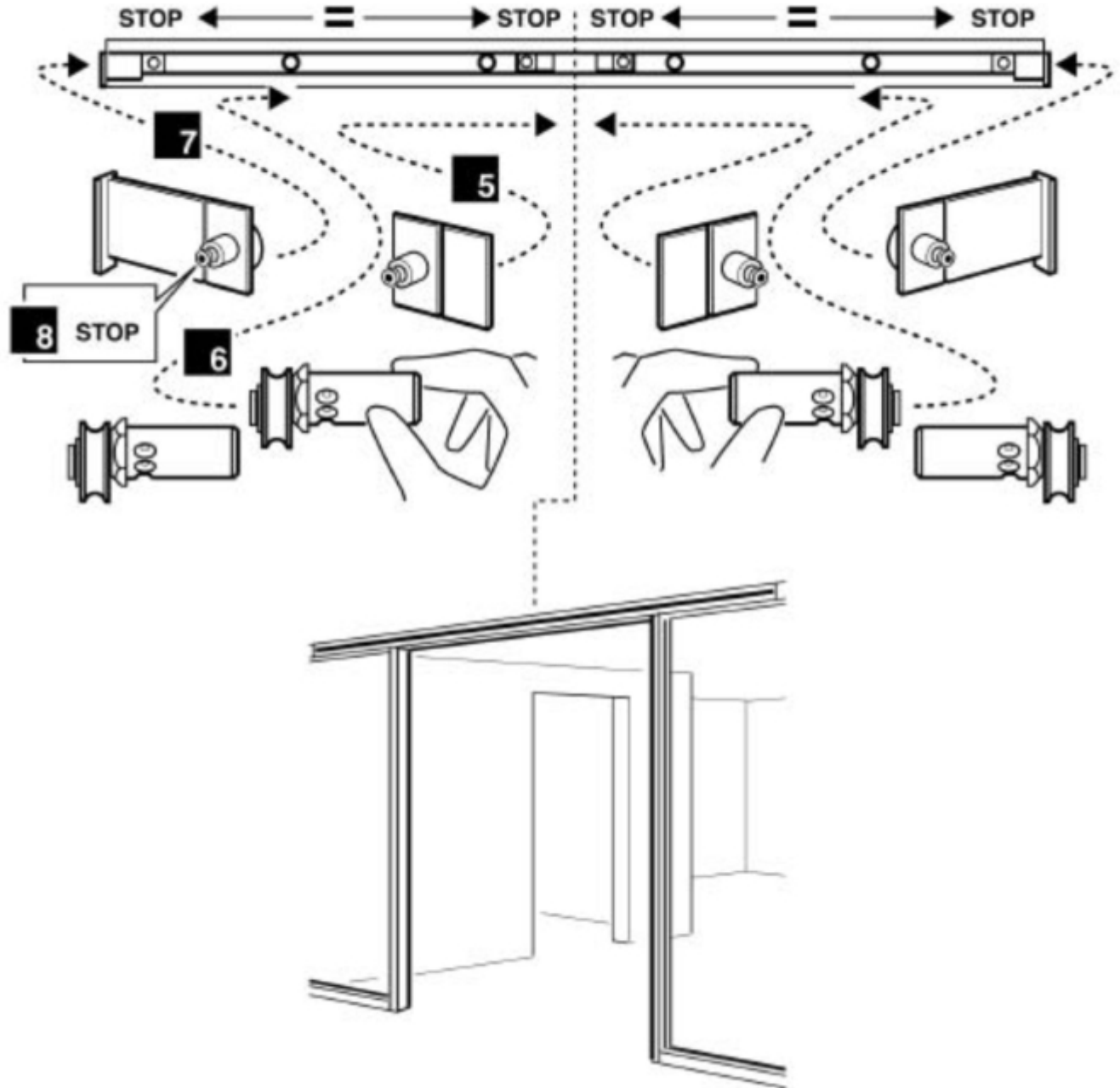


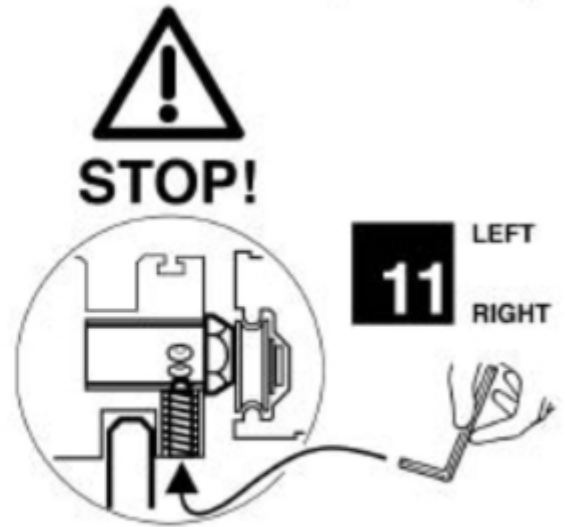
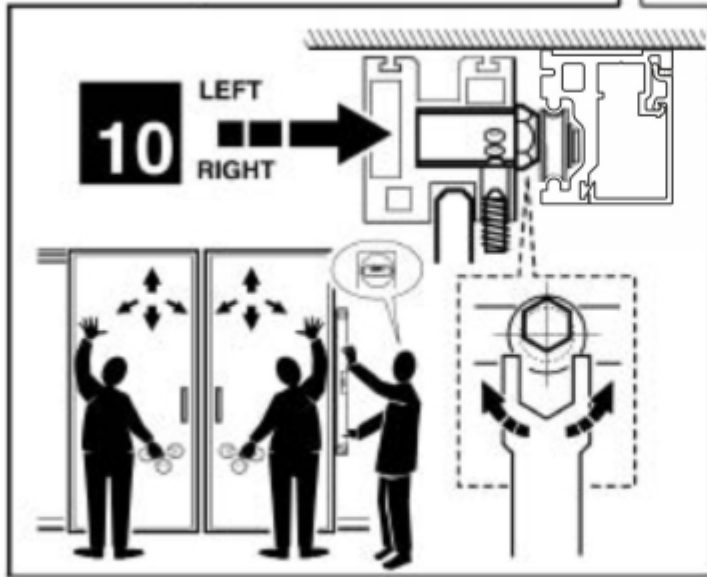
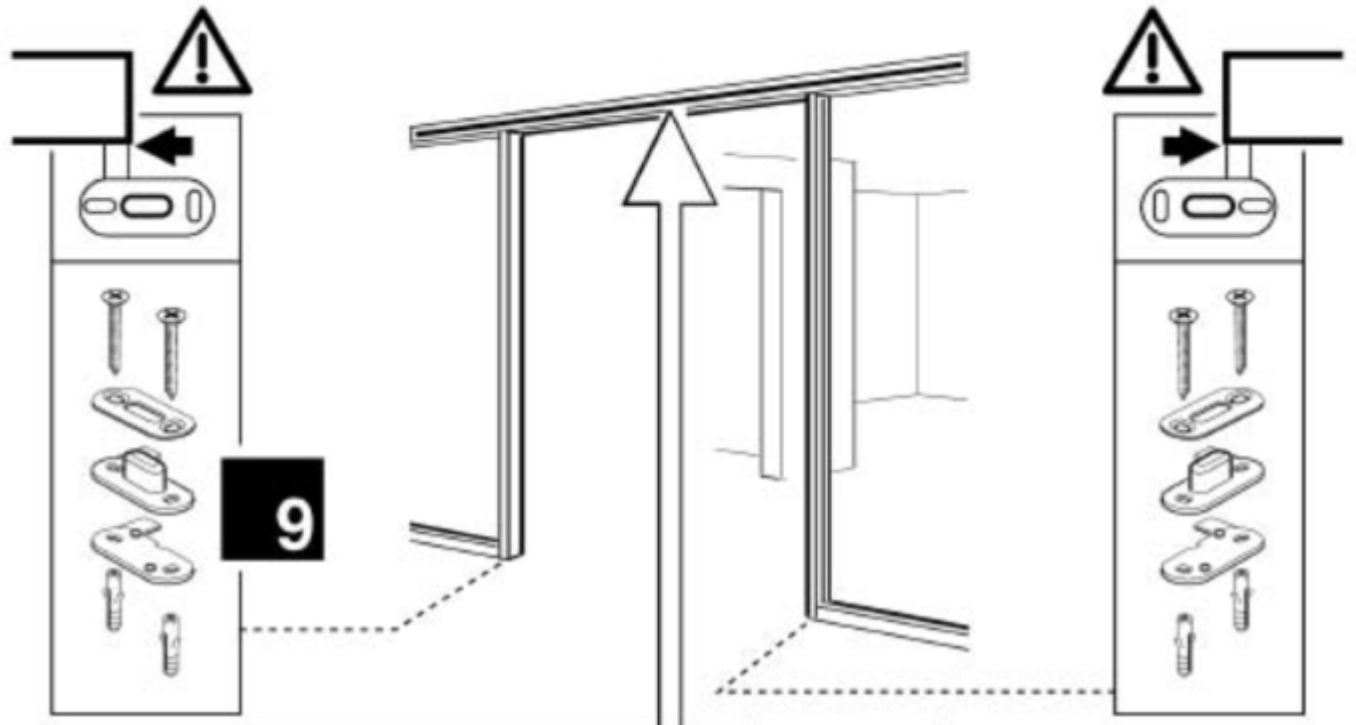










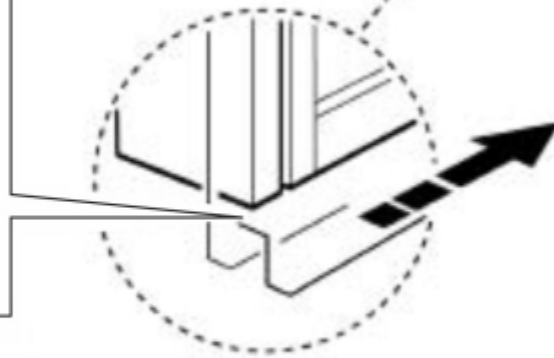
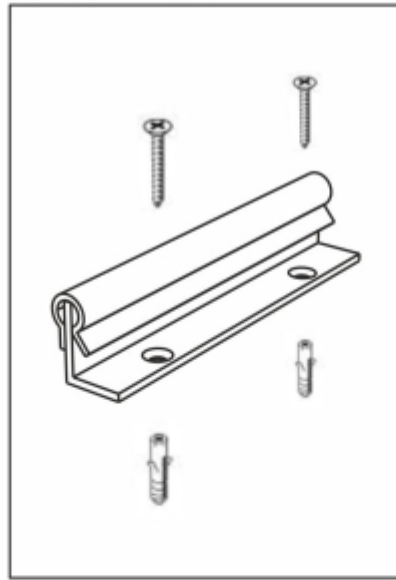


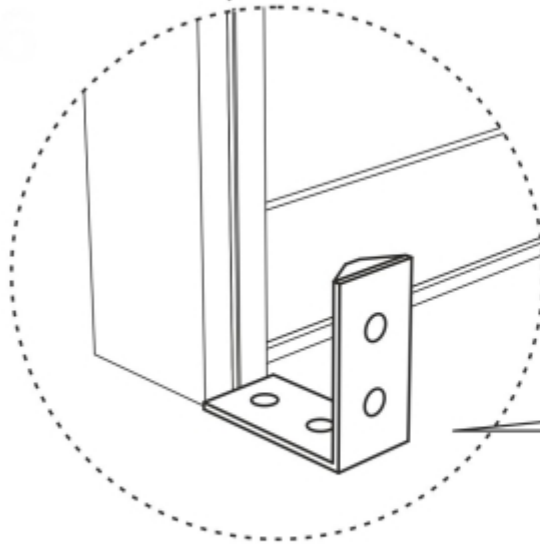
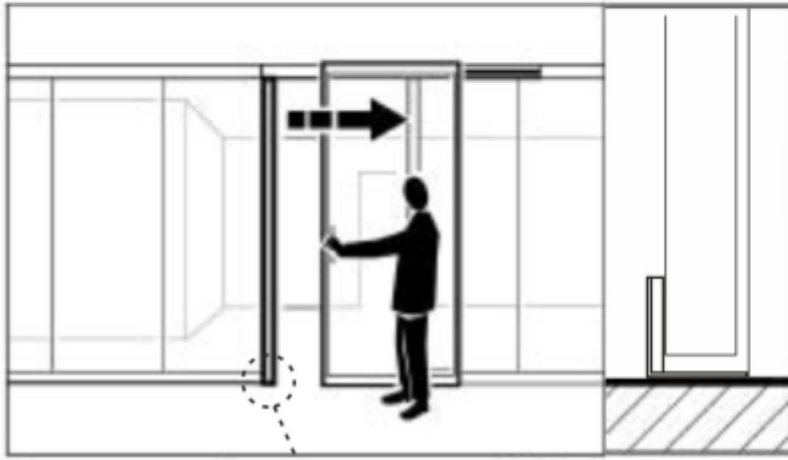


## OPTIONAL ACCESSORIES

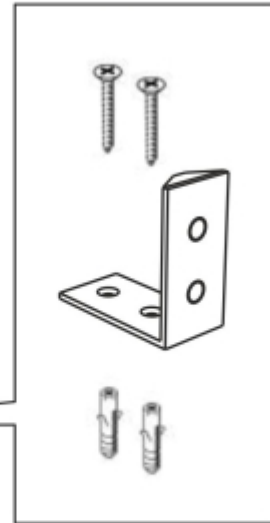
USE FLOOR GUIDE AND L BRACKET (OPTIONAL),  
IN BASE TO THE PROJECT SPECIFICATIONS.

**FLOOR GUIDE**

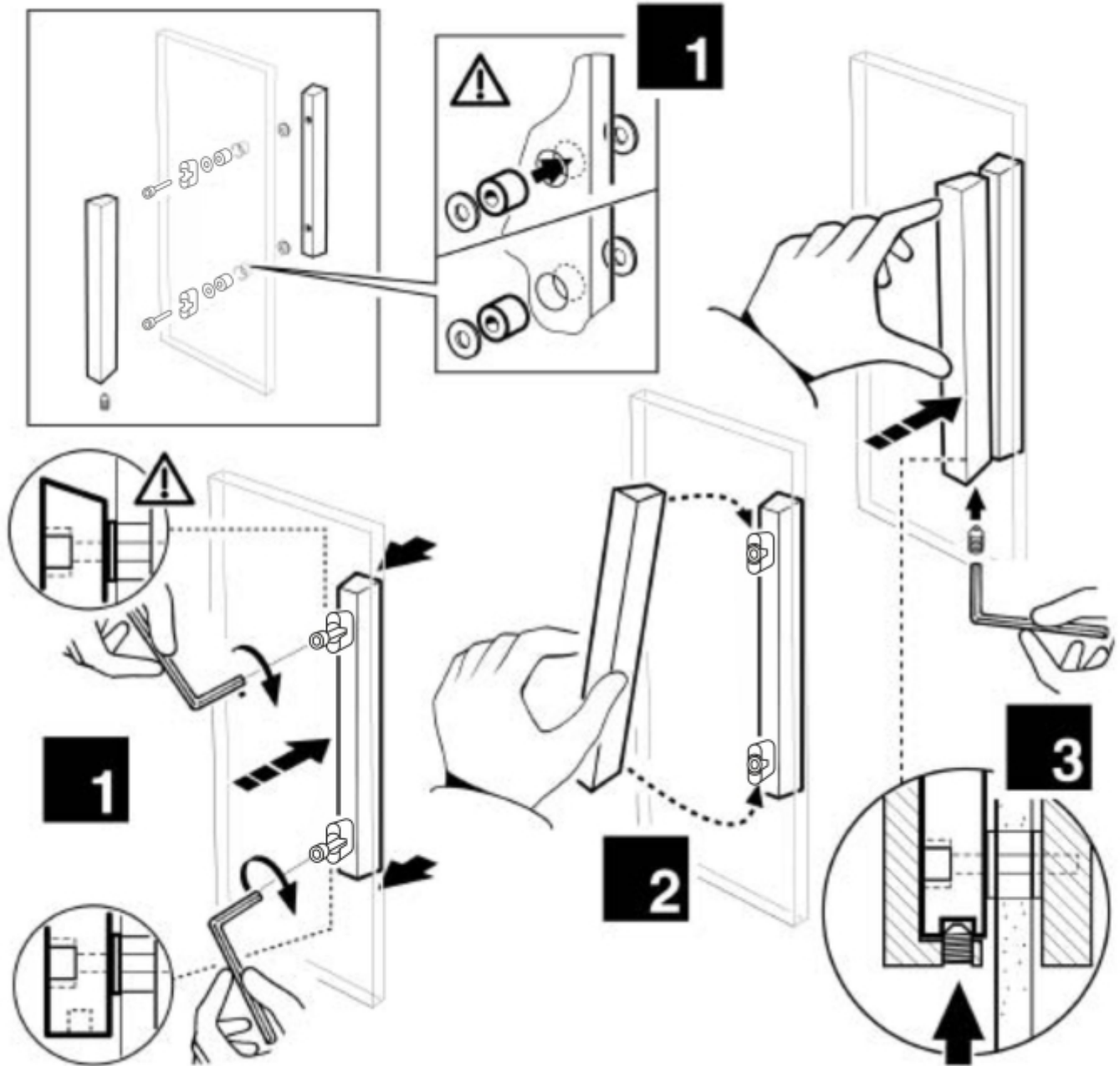




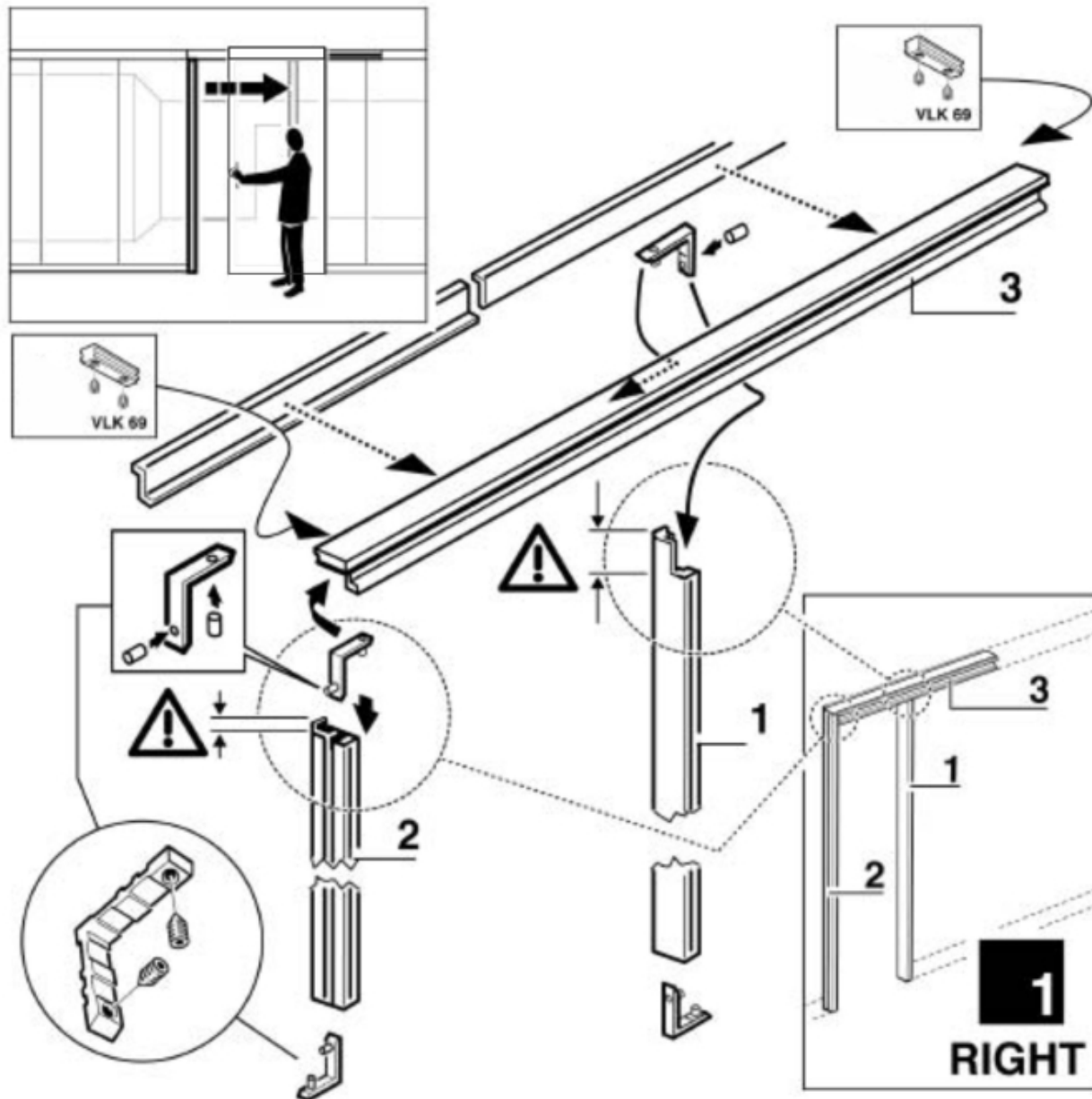
**L BRACKET**

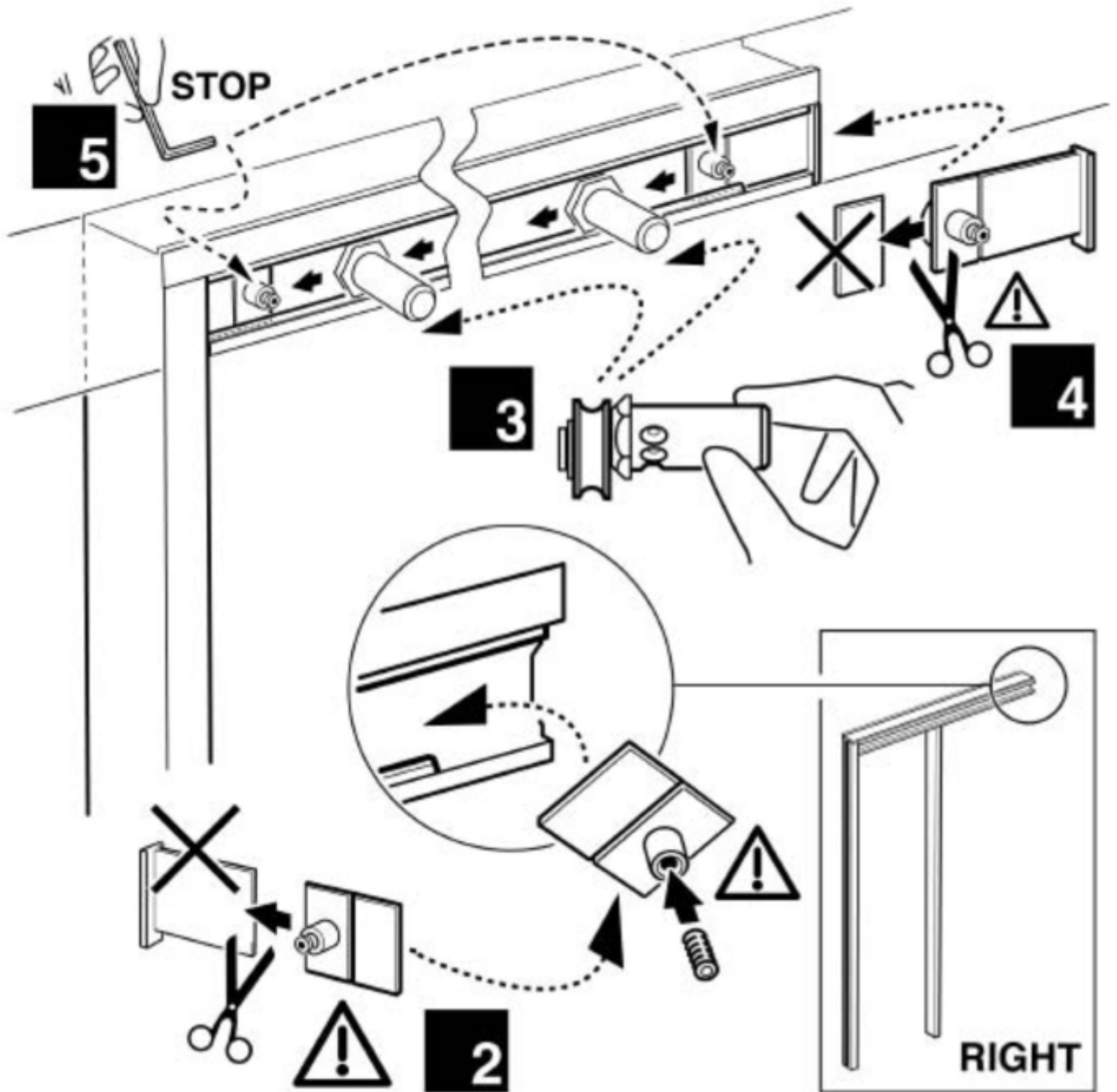


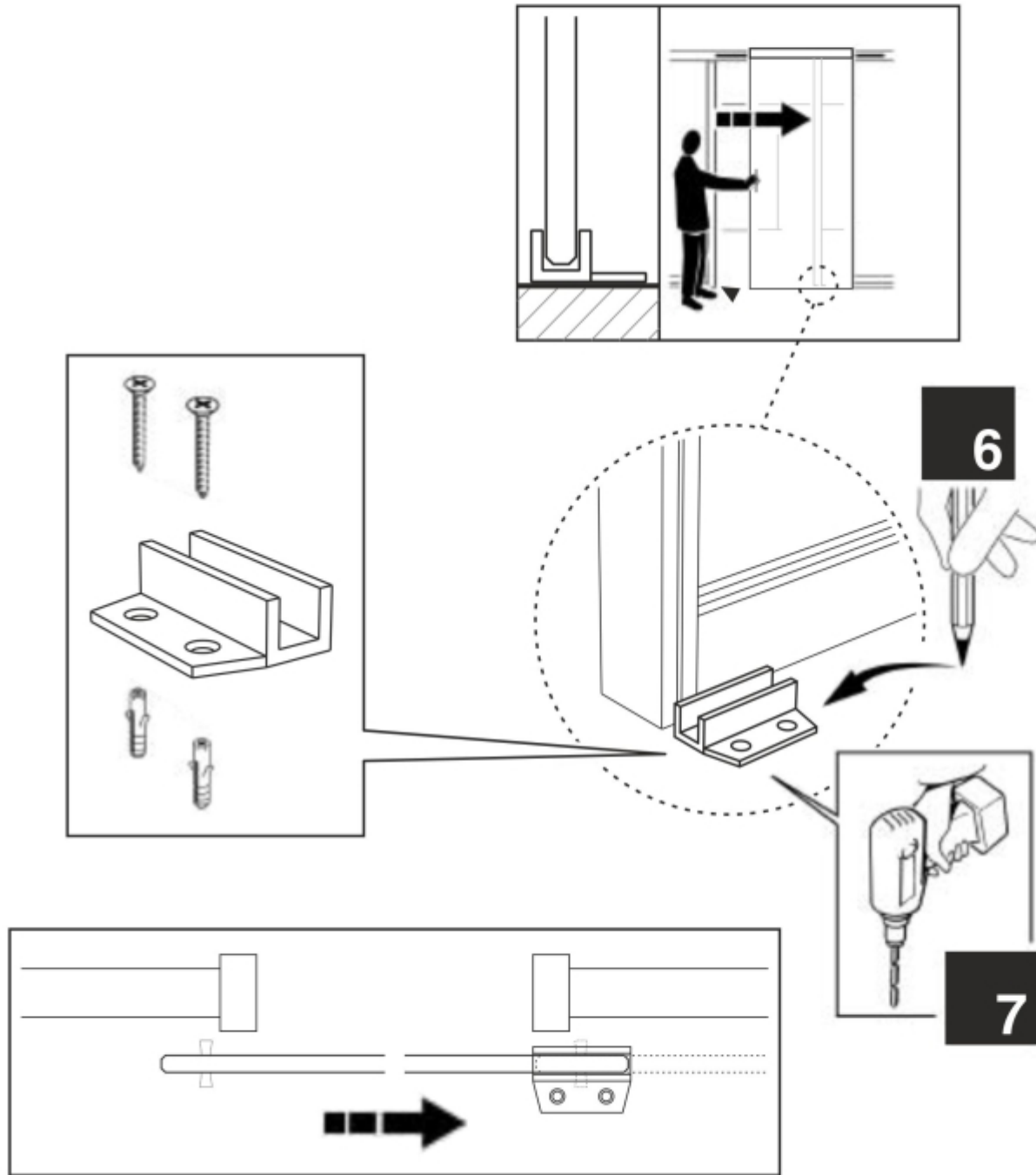


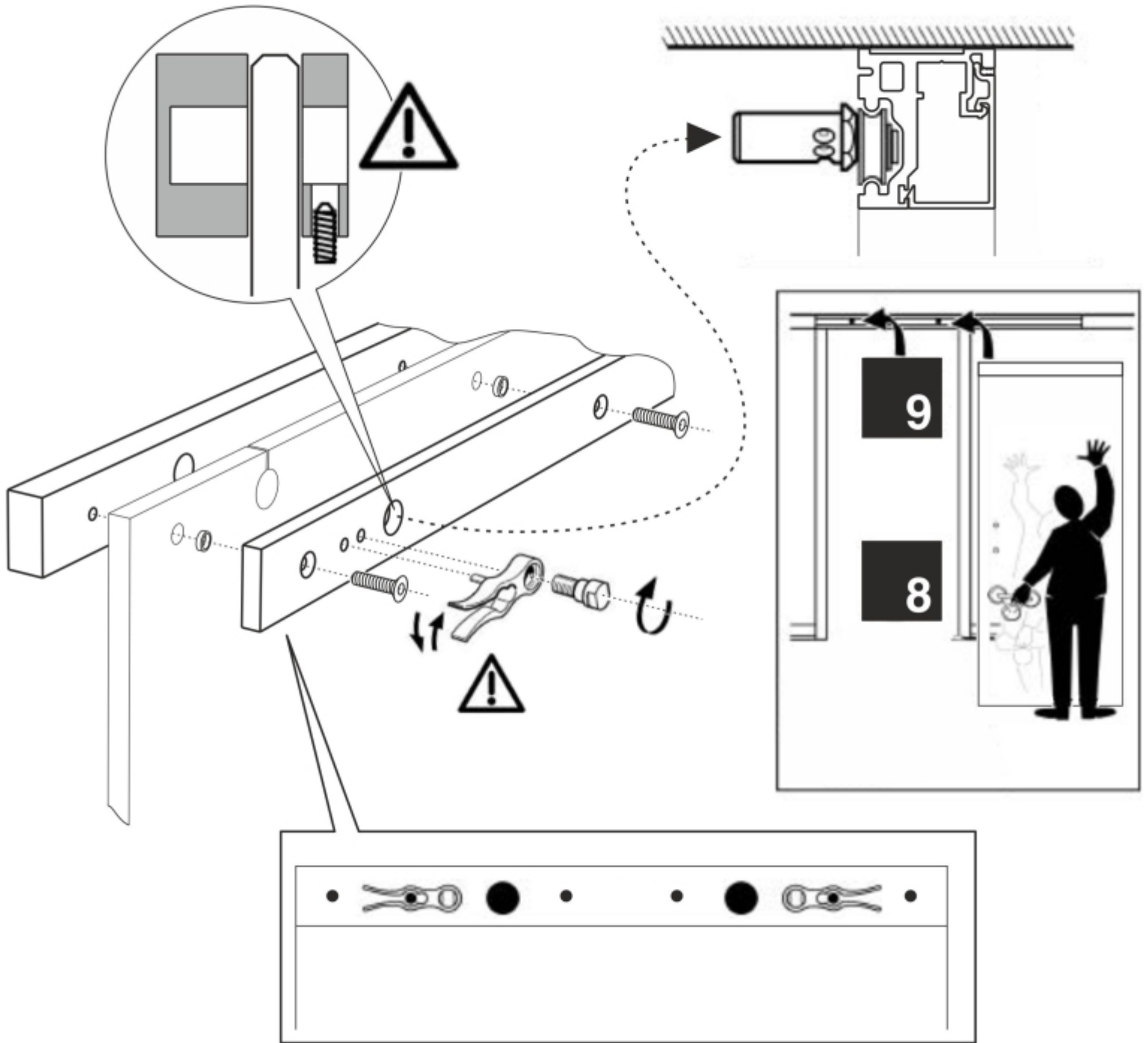


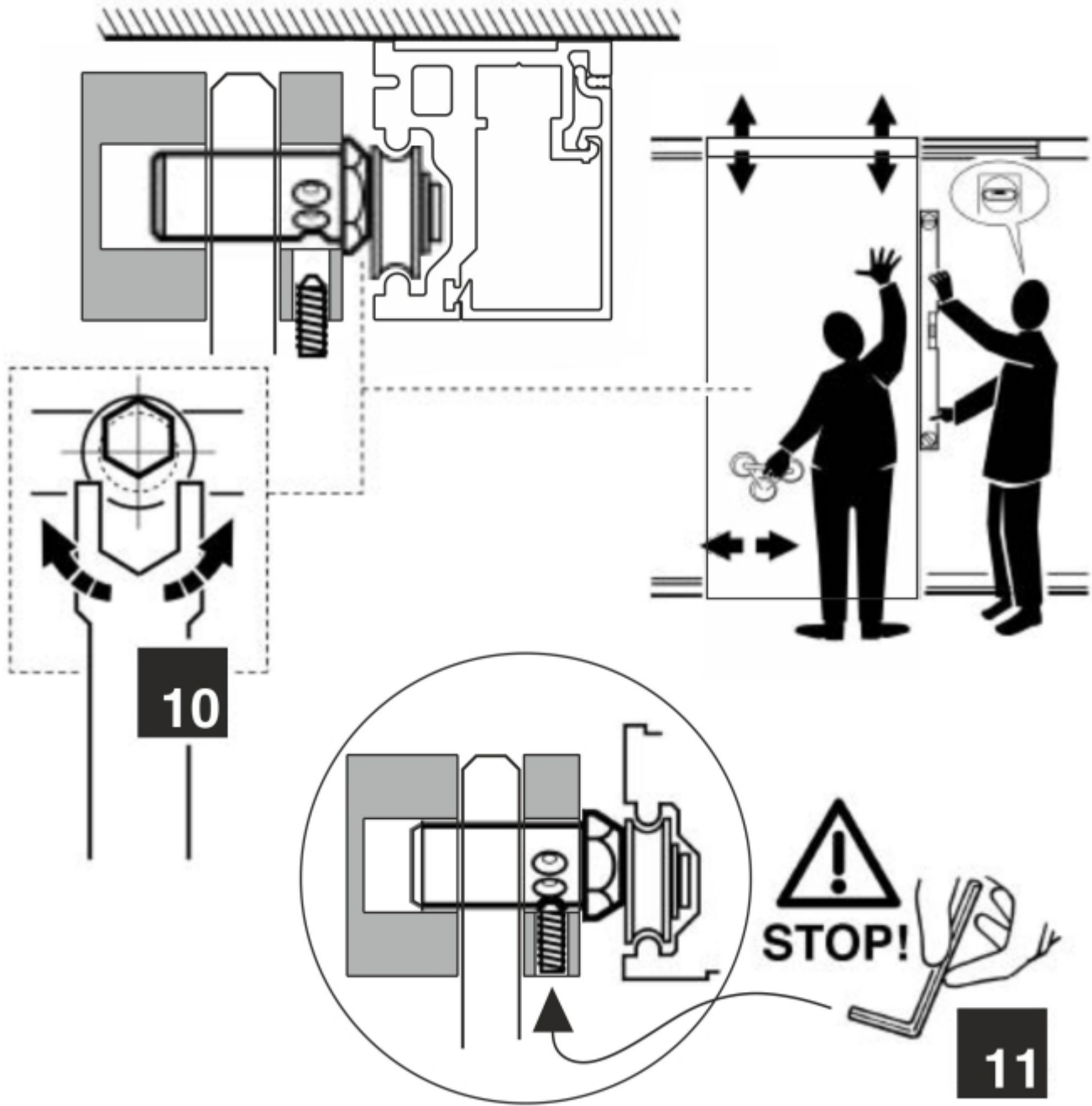
# FRAMELESS SLIDING DOOR

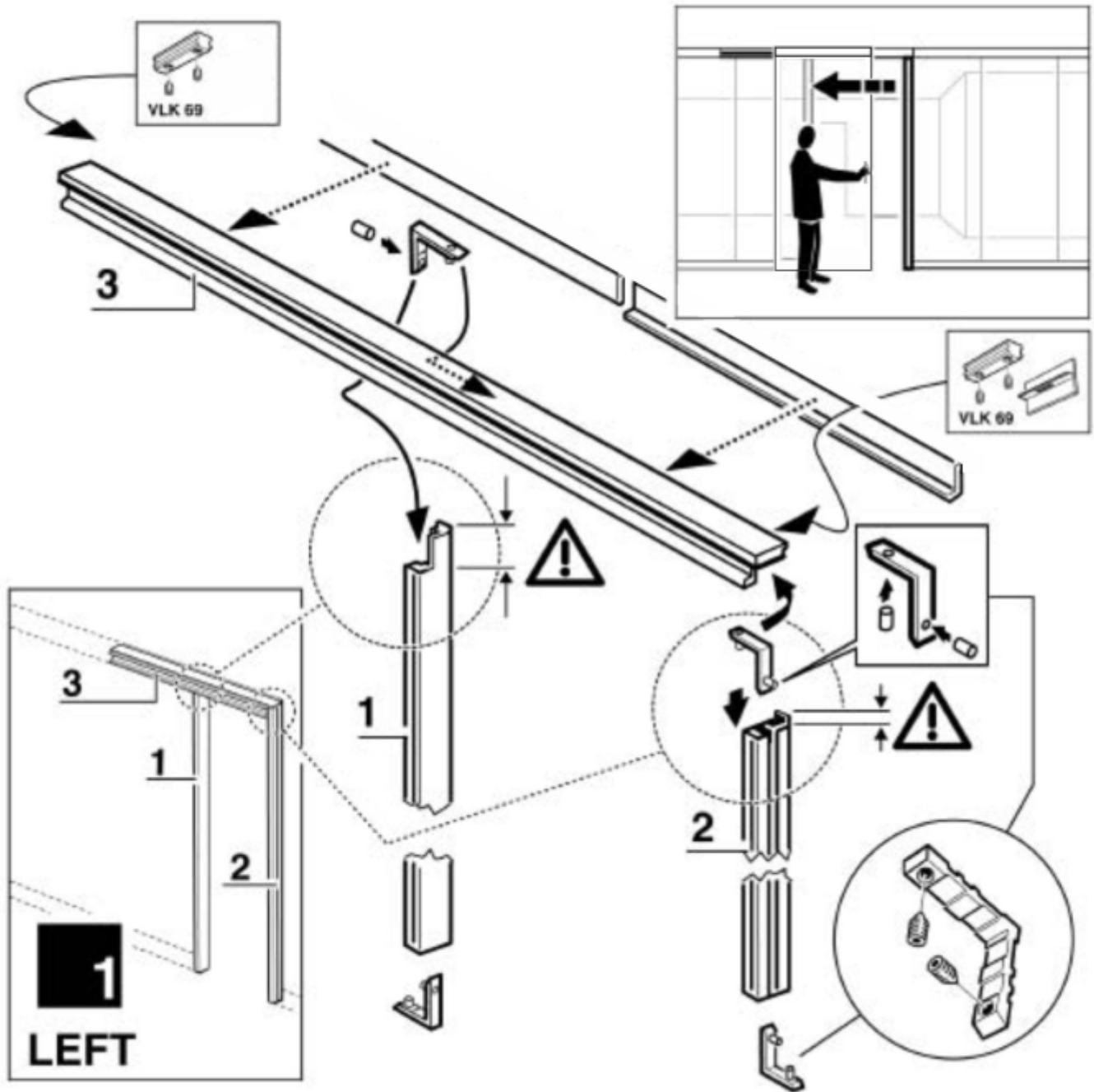




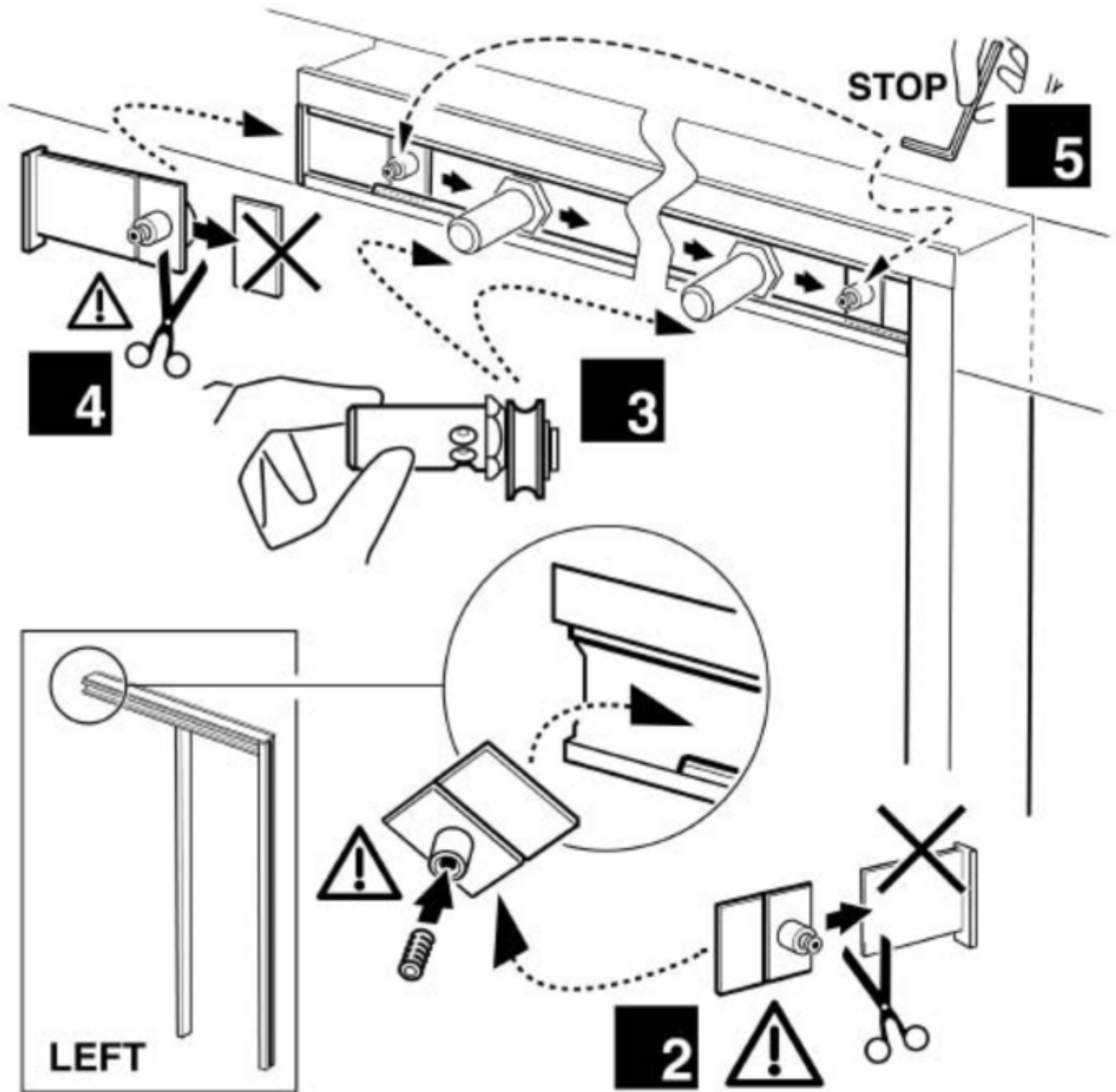




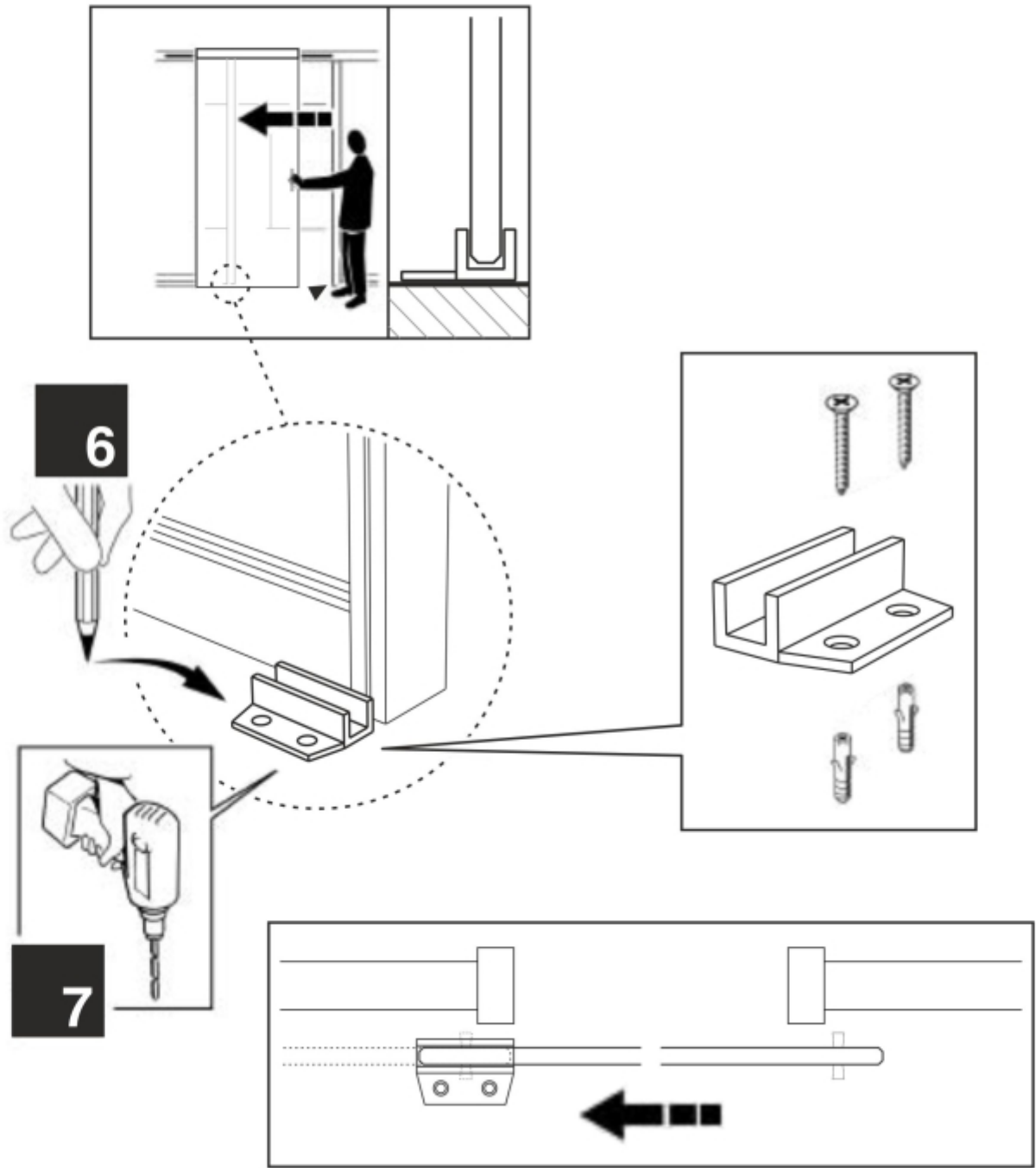


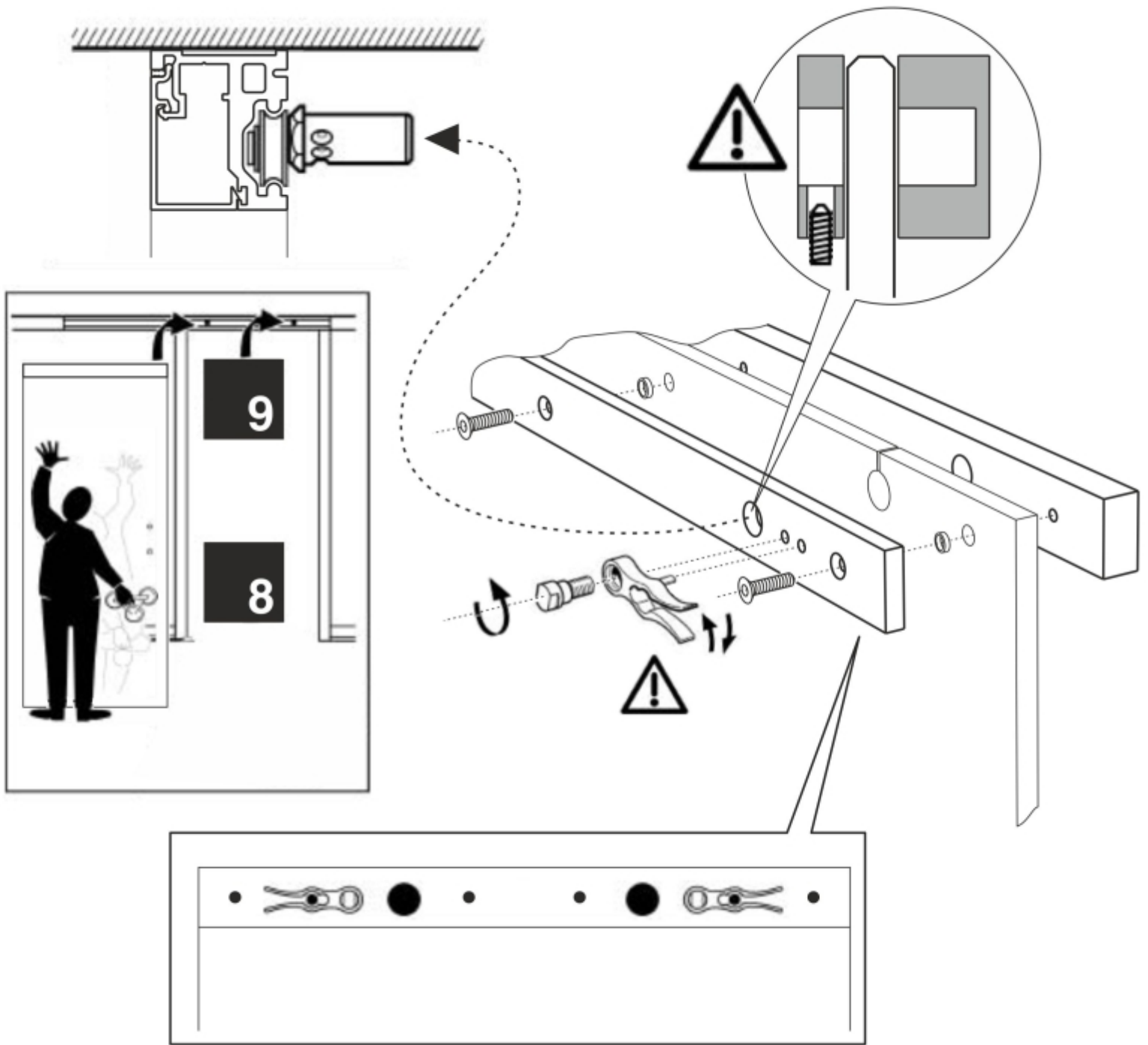


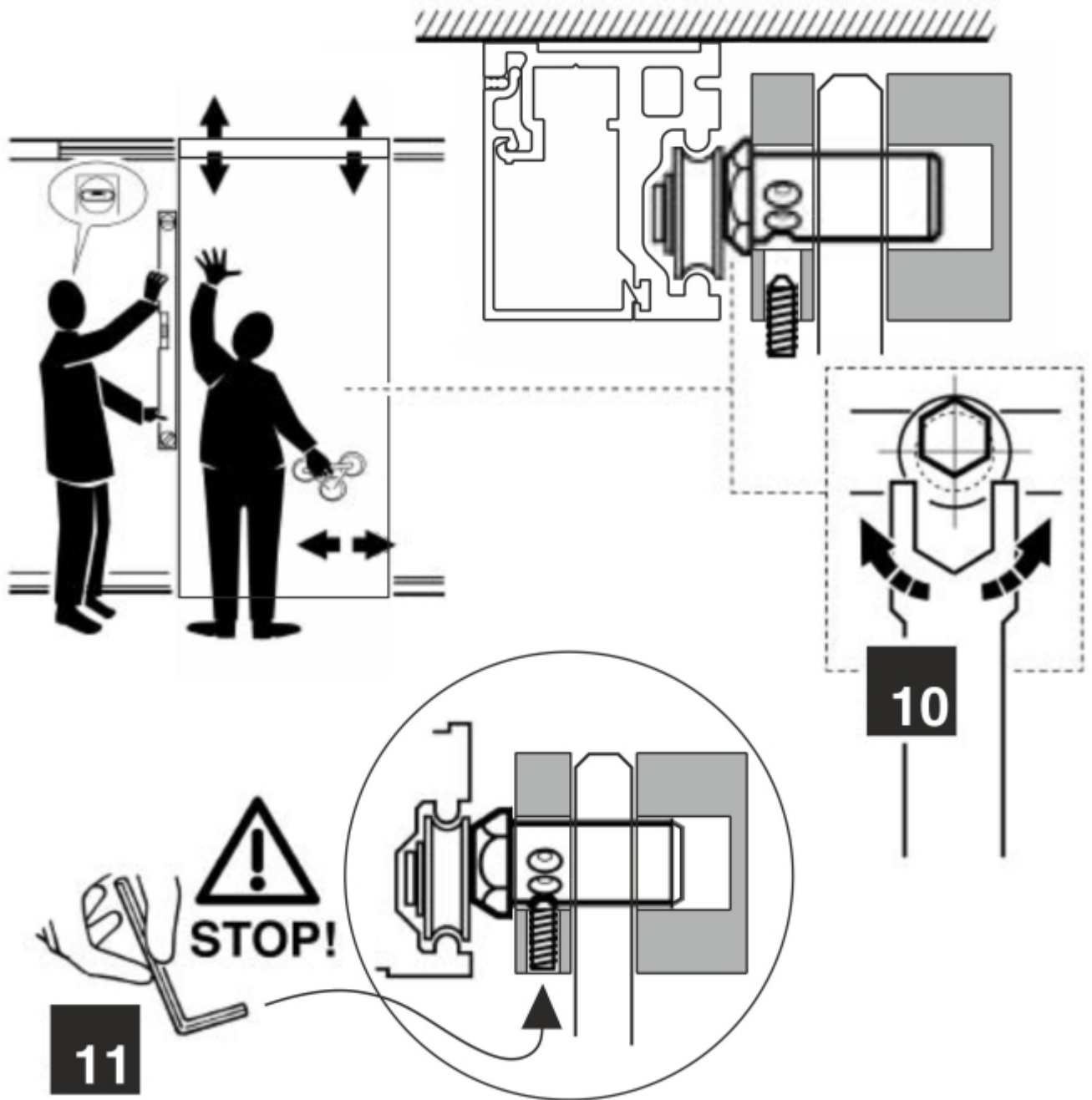


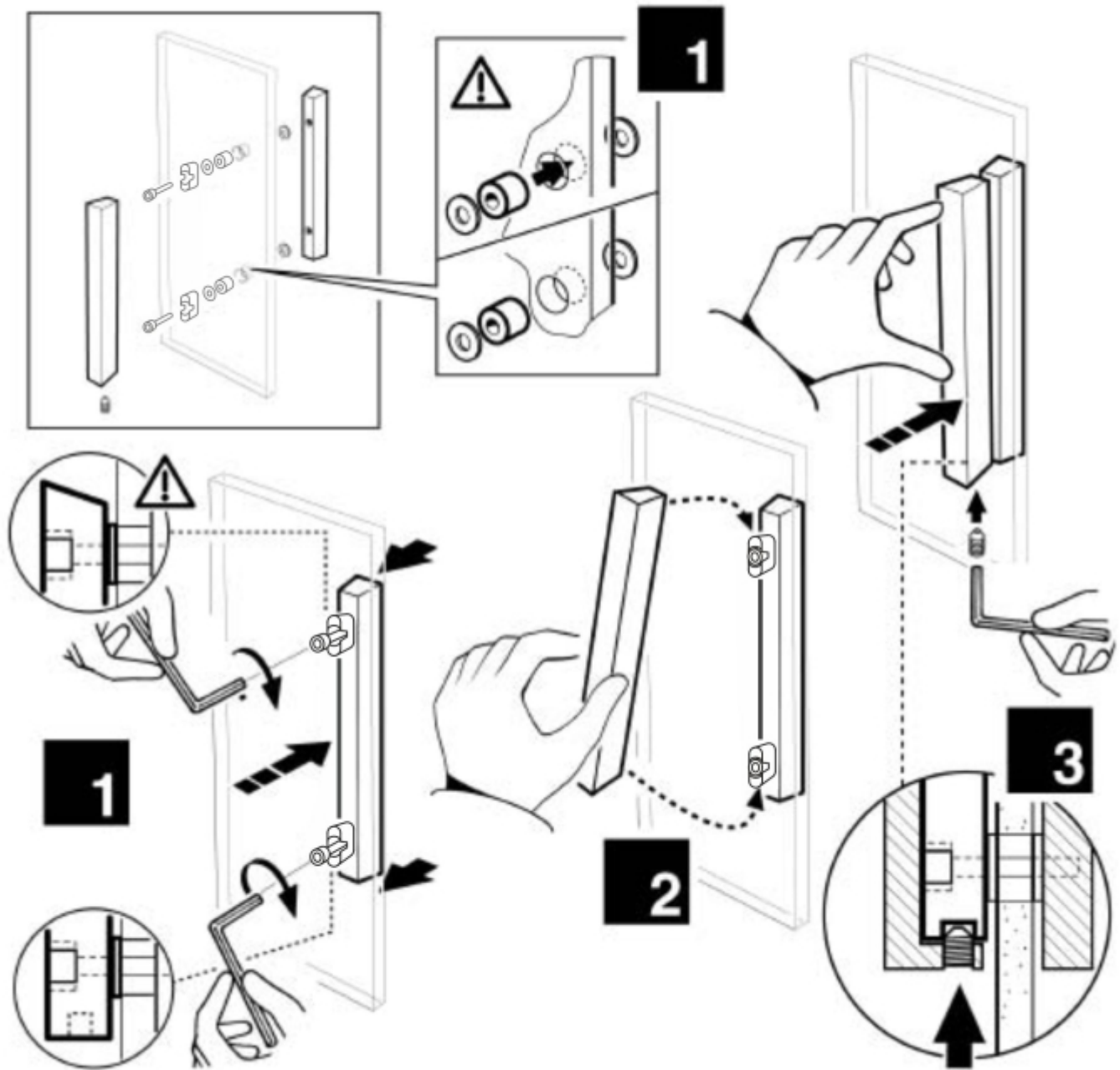


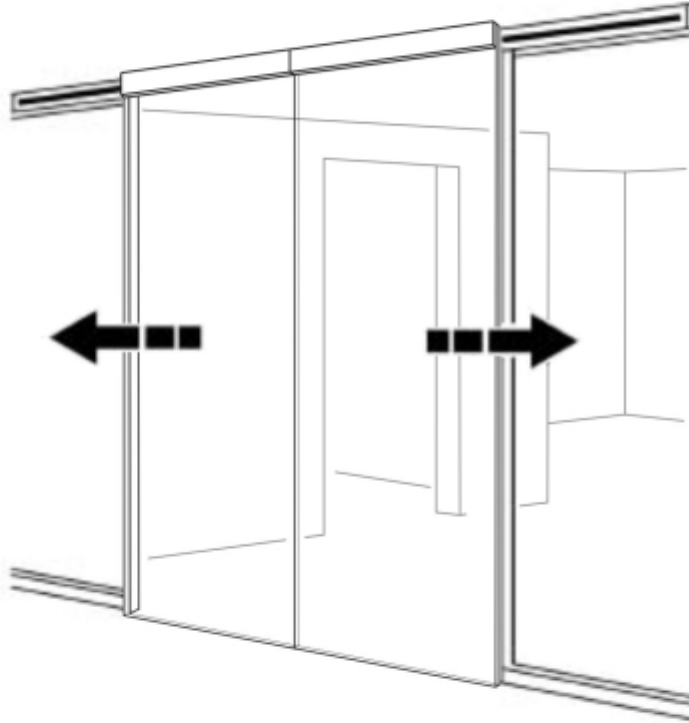


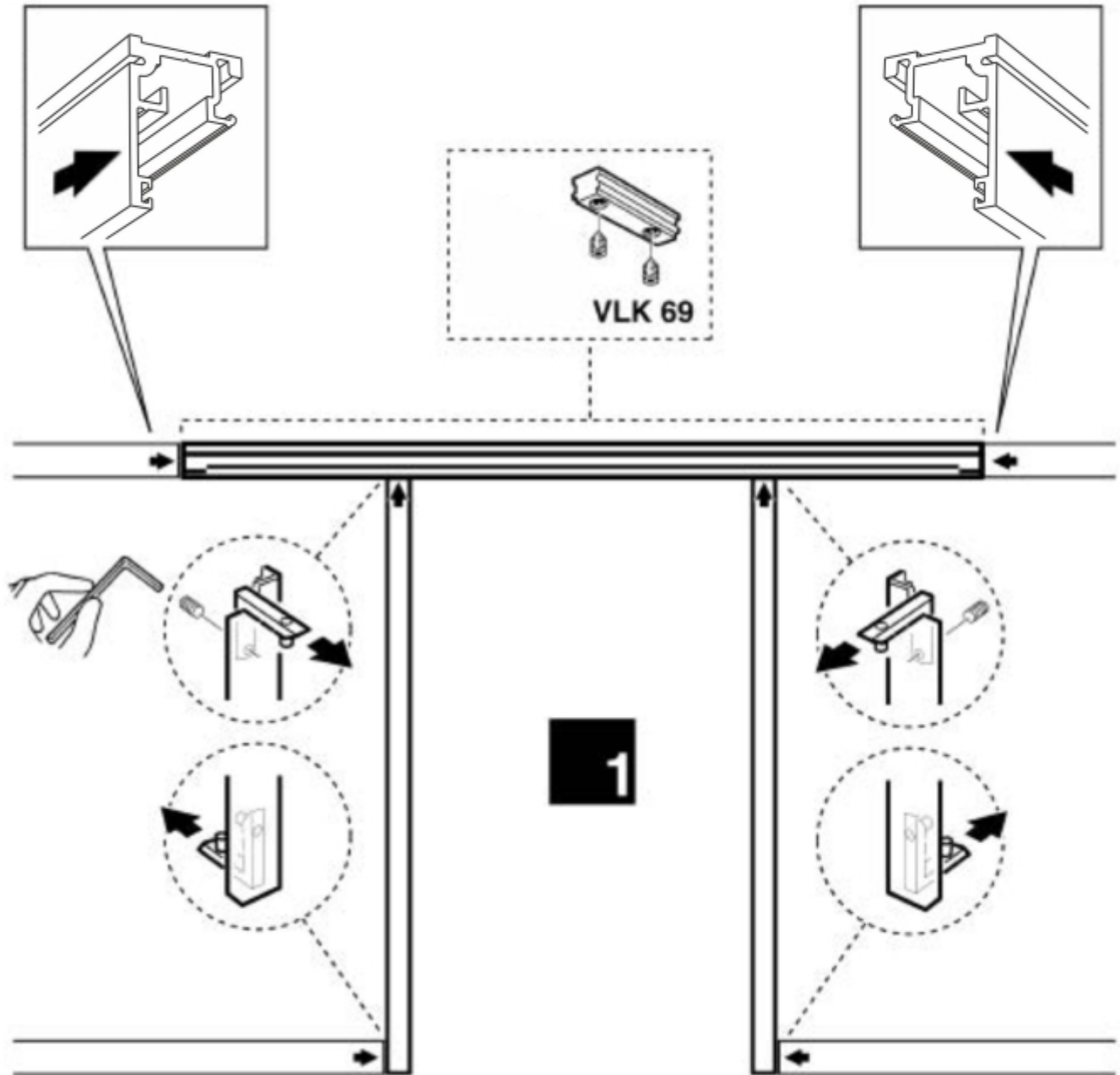


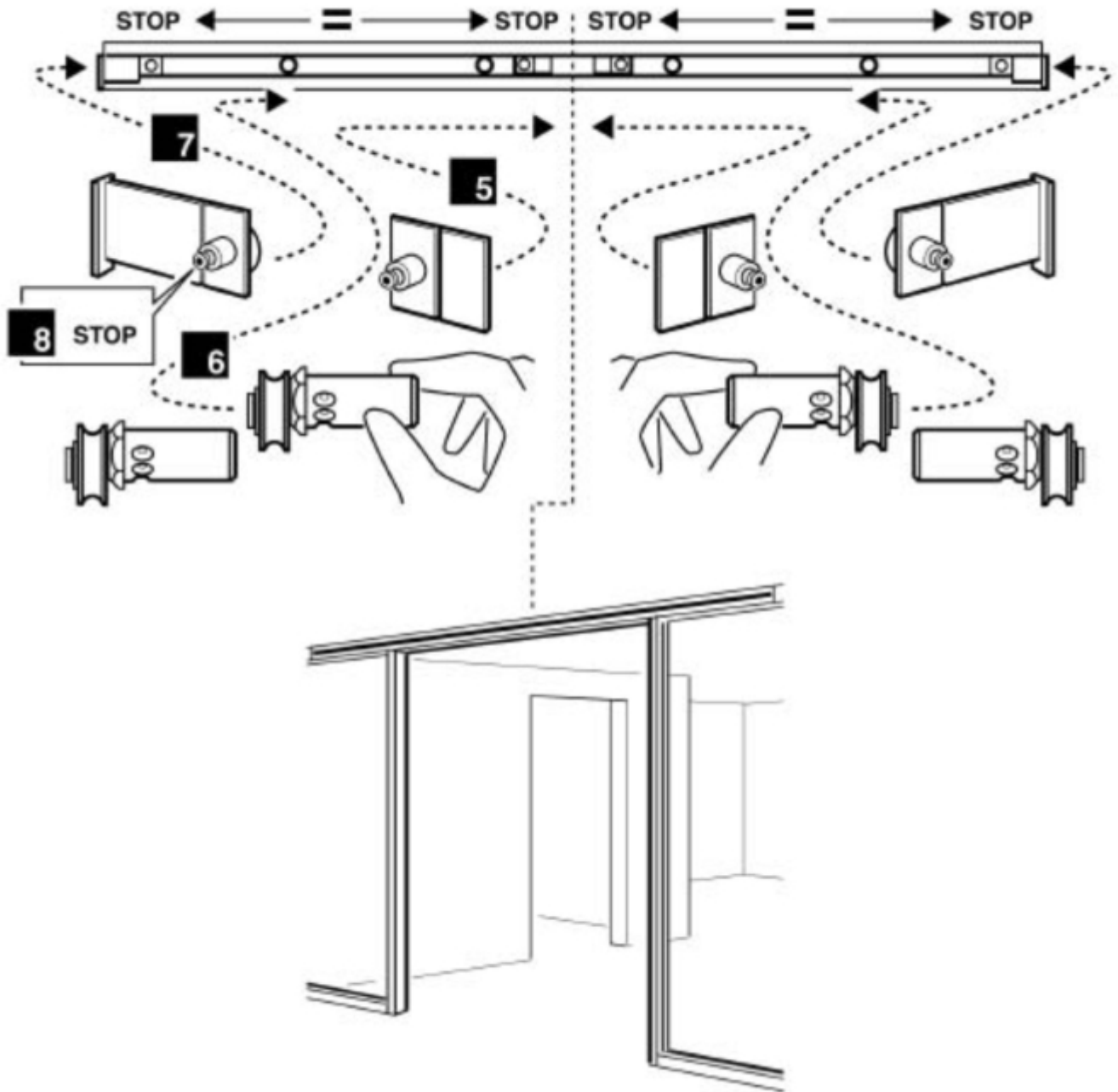


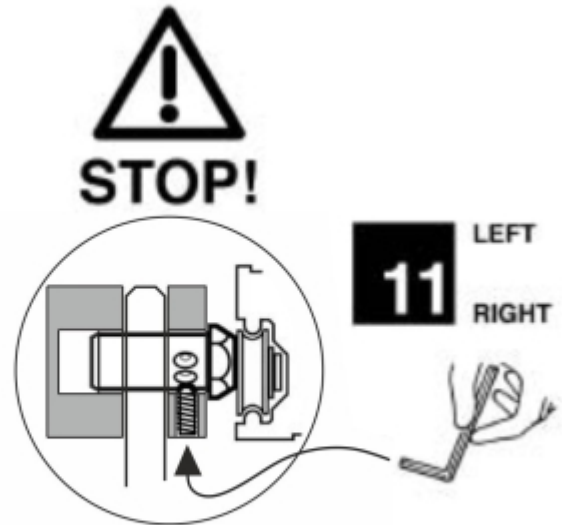
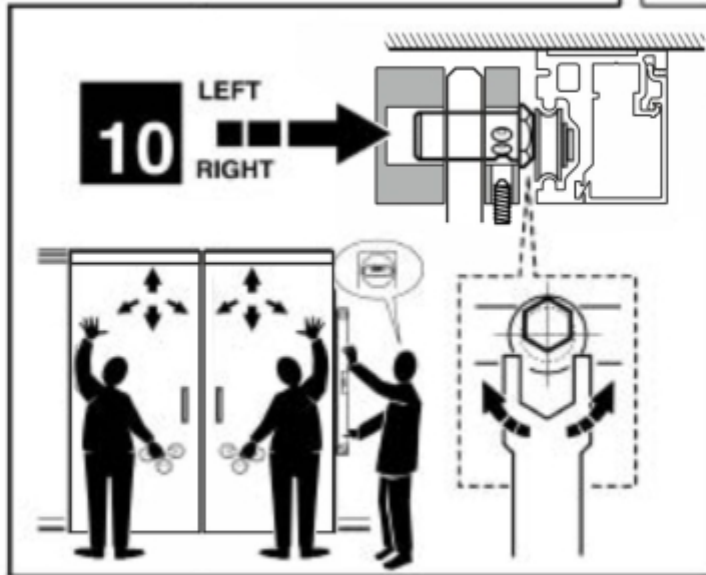
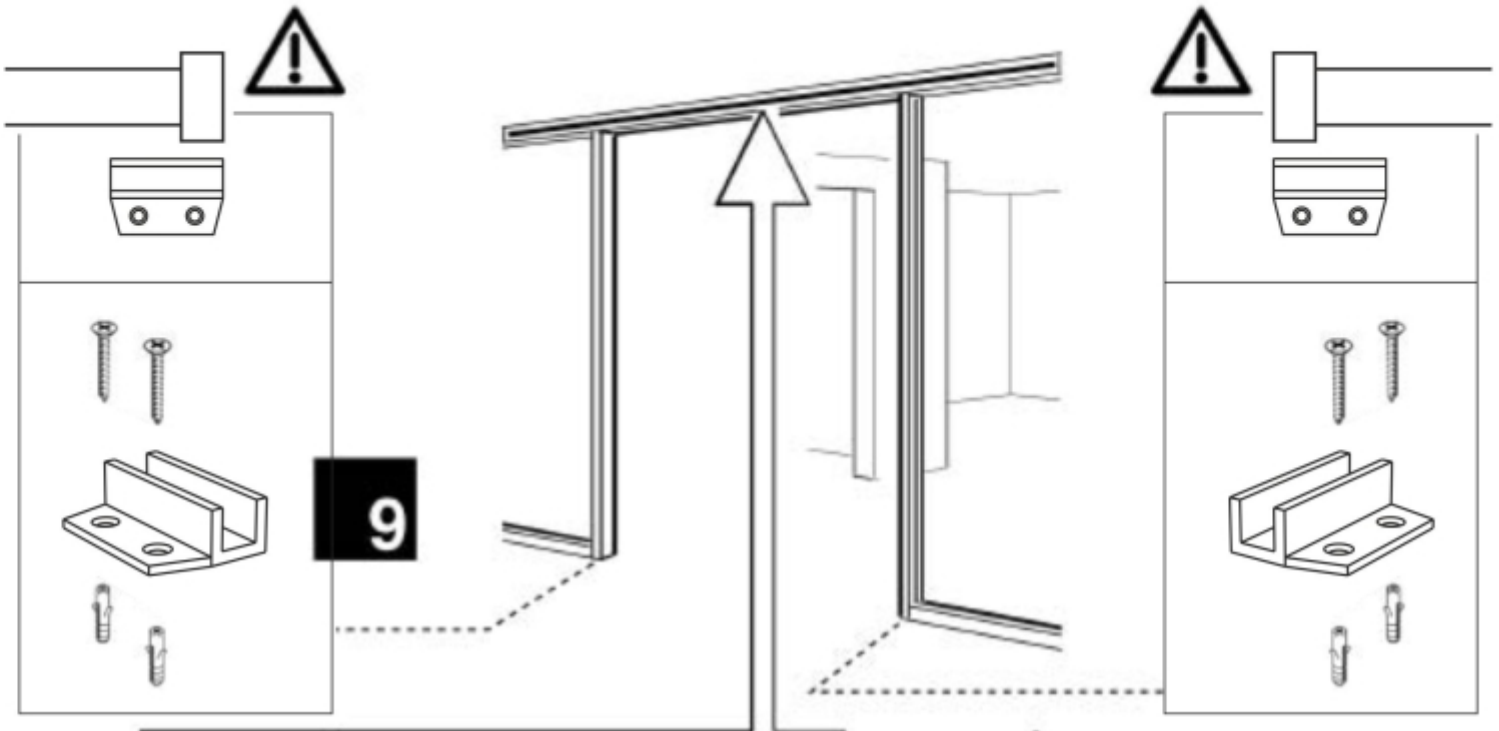




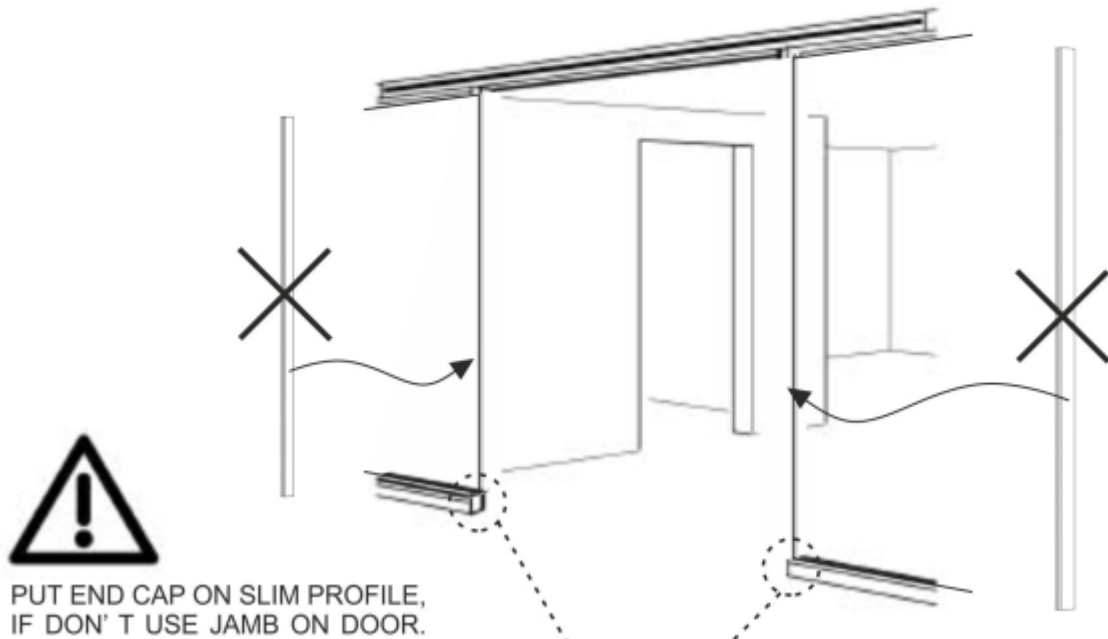




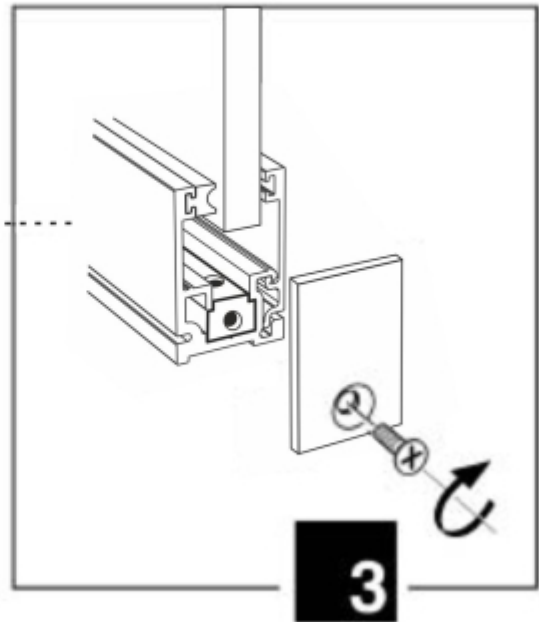
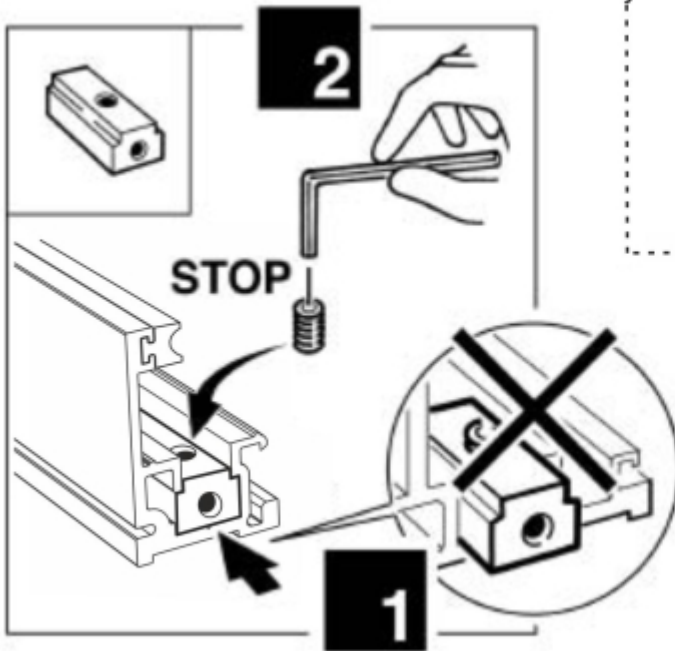


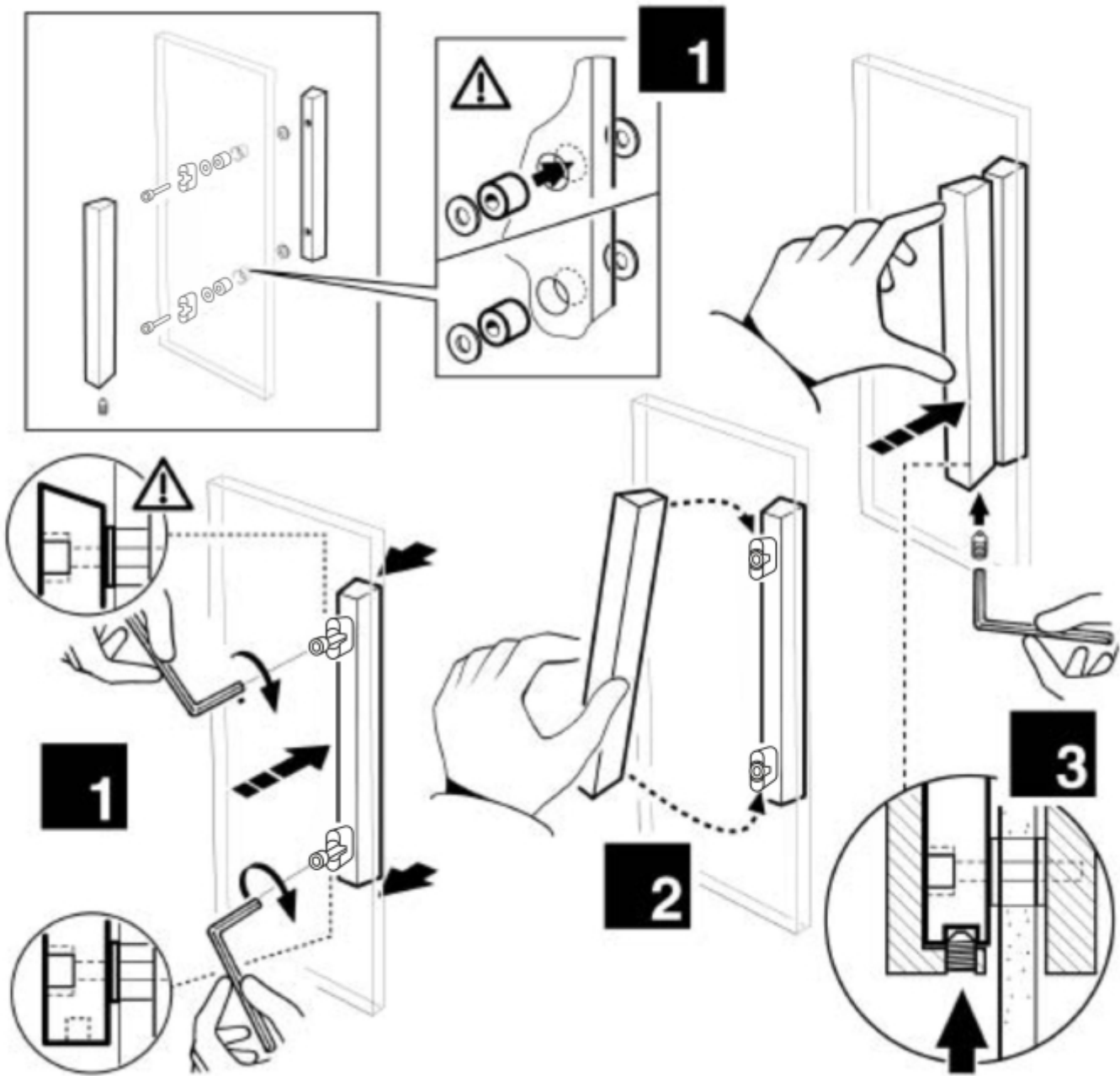




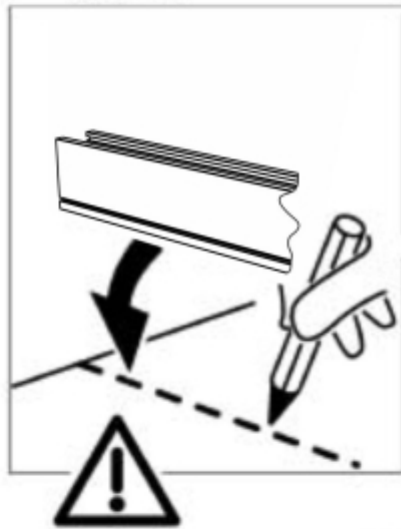
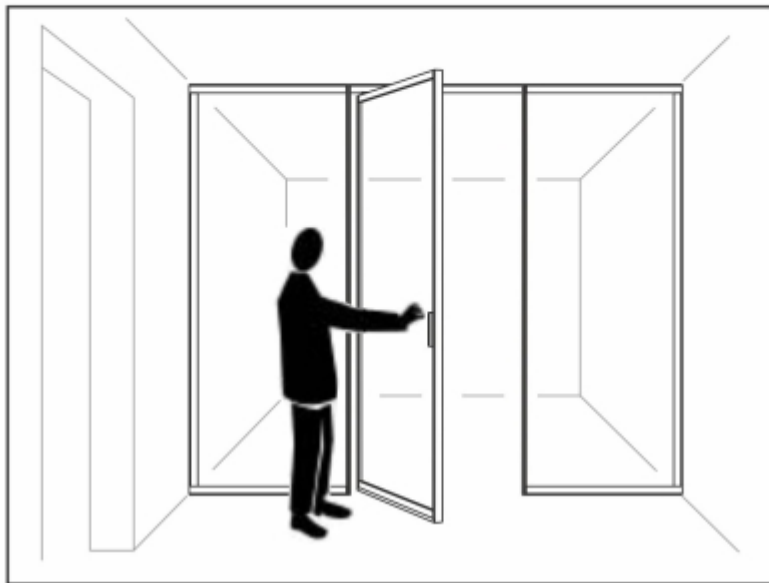


PUT END CAP ON SLIM PROFILE, IF DON'T USE JAMB ON DOOR.



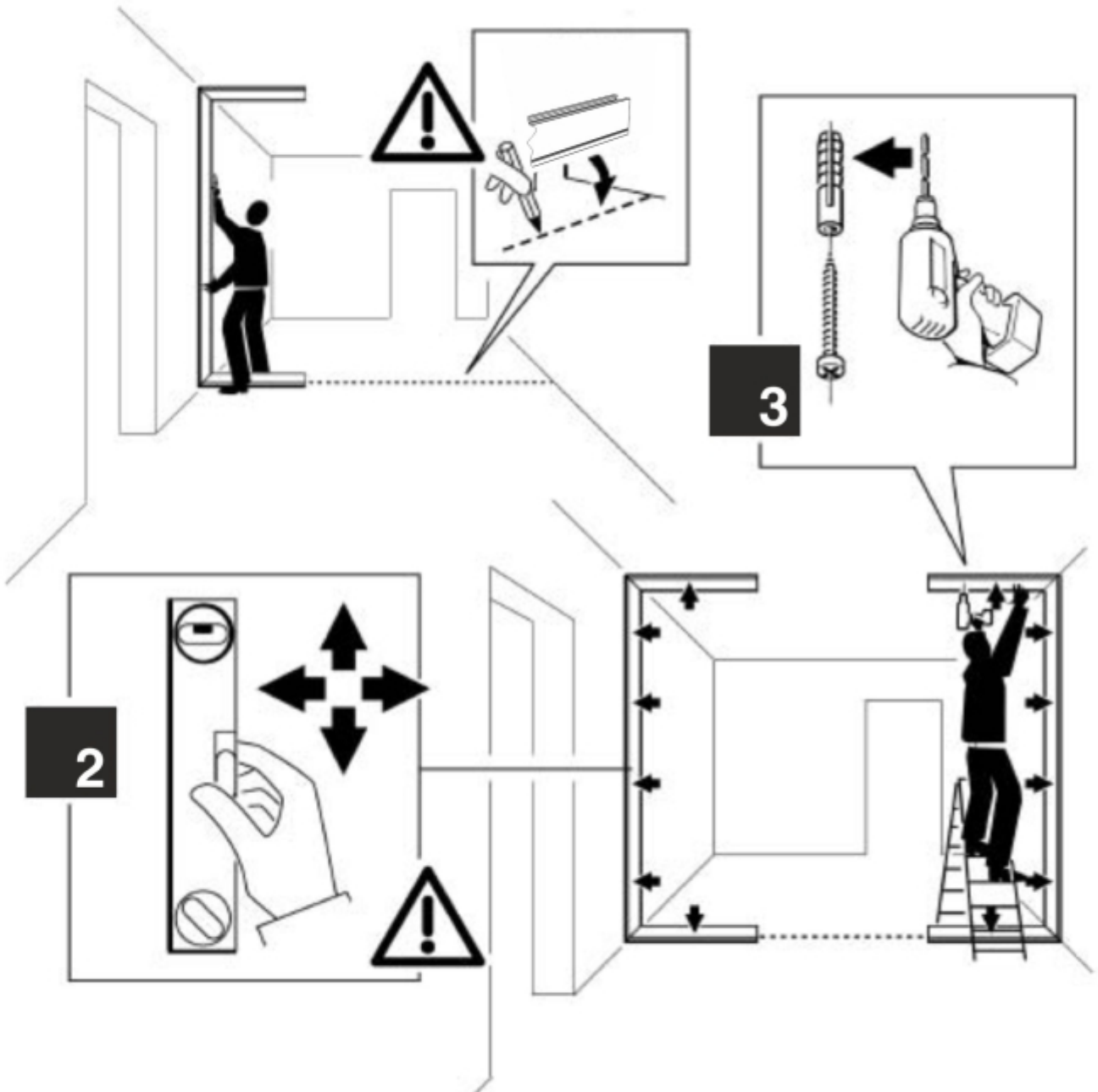


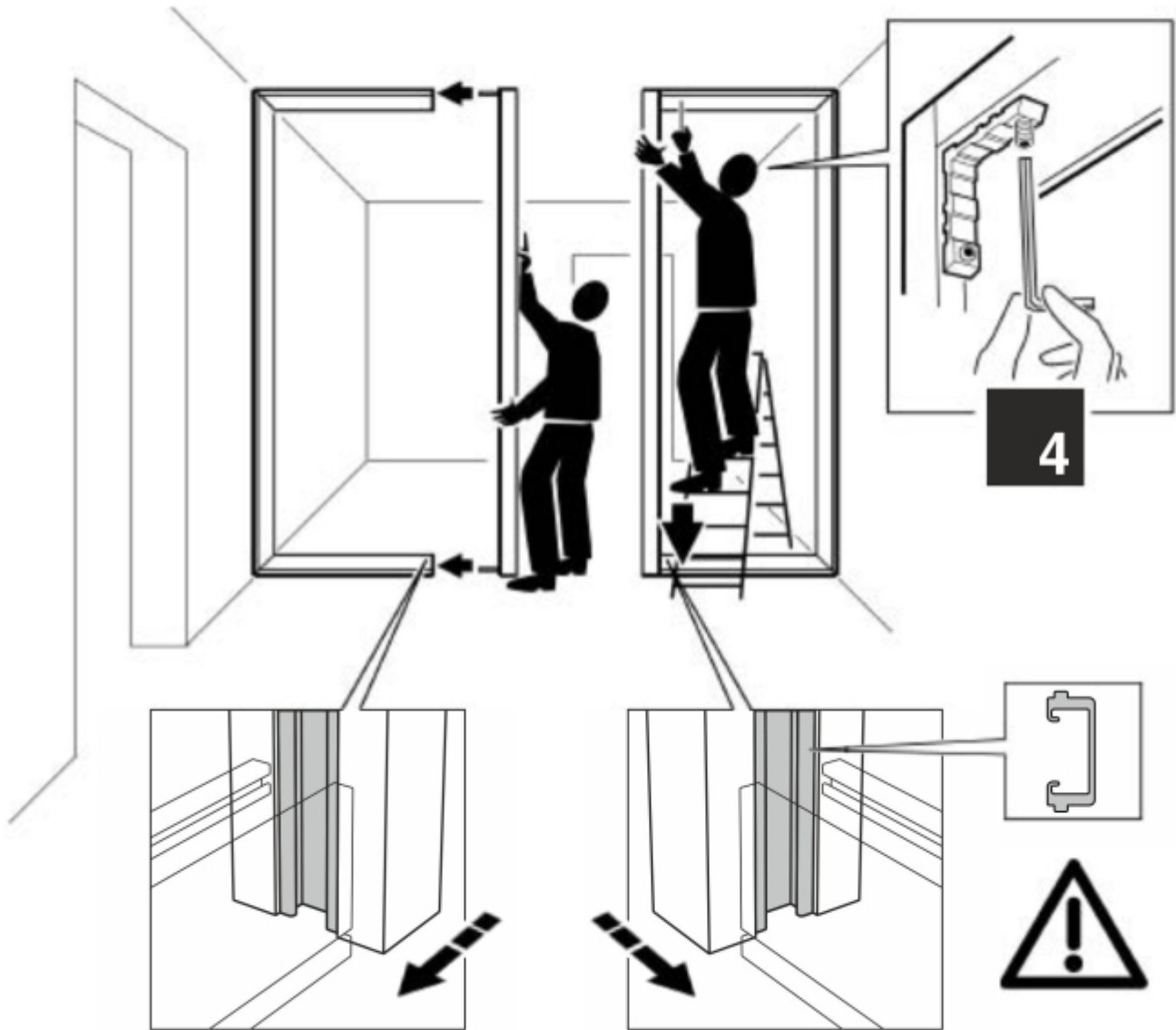
# PIVOT DOOR

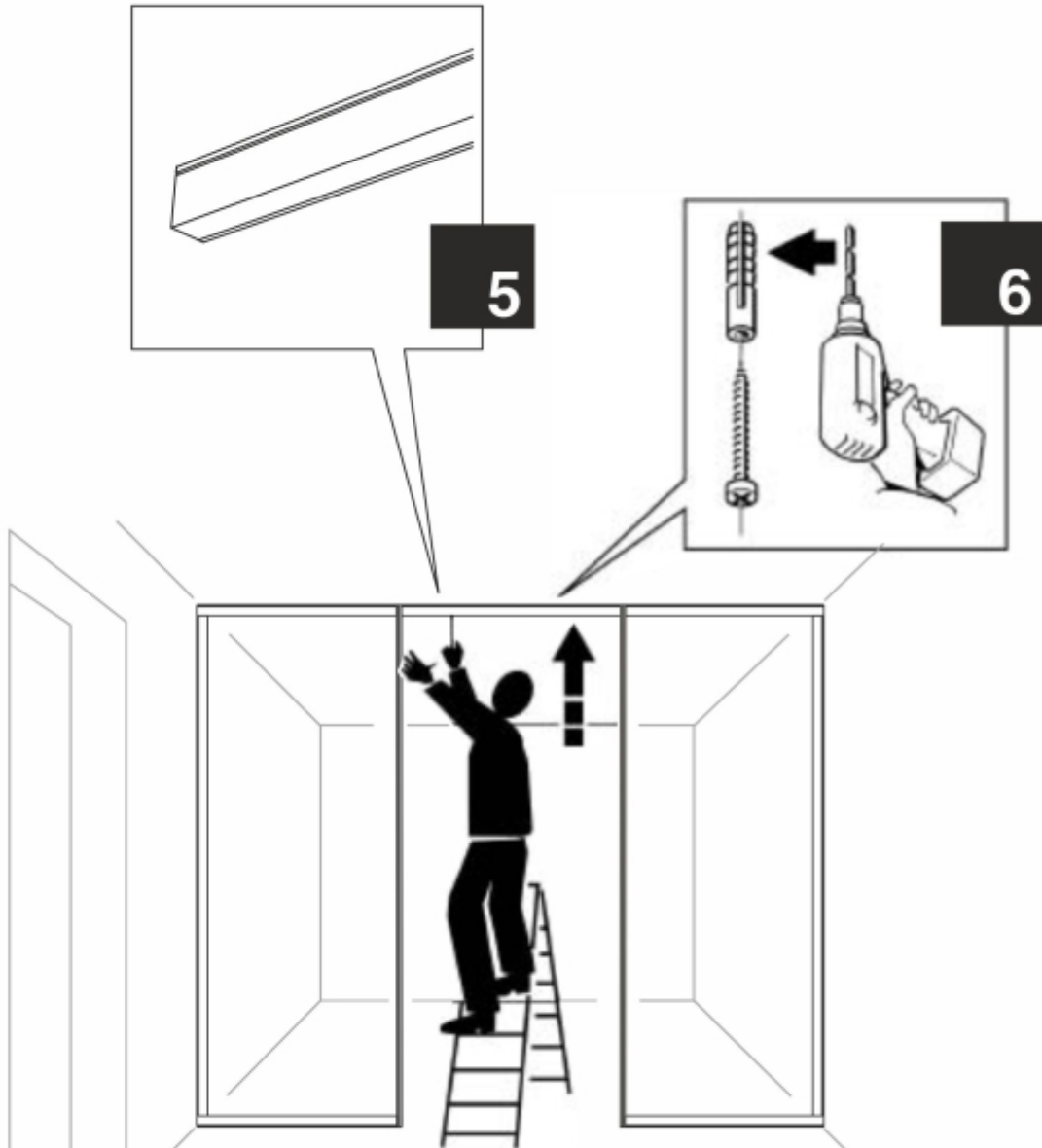


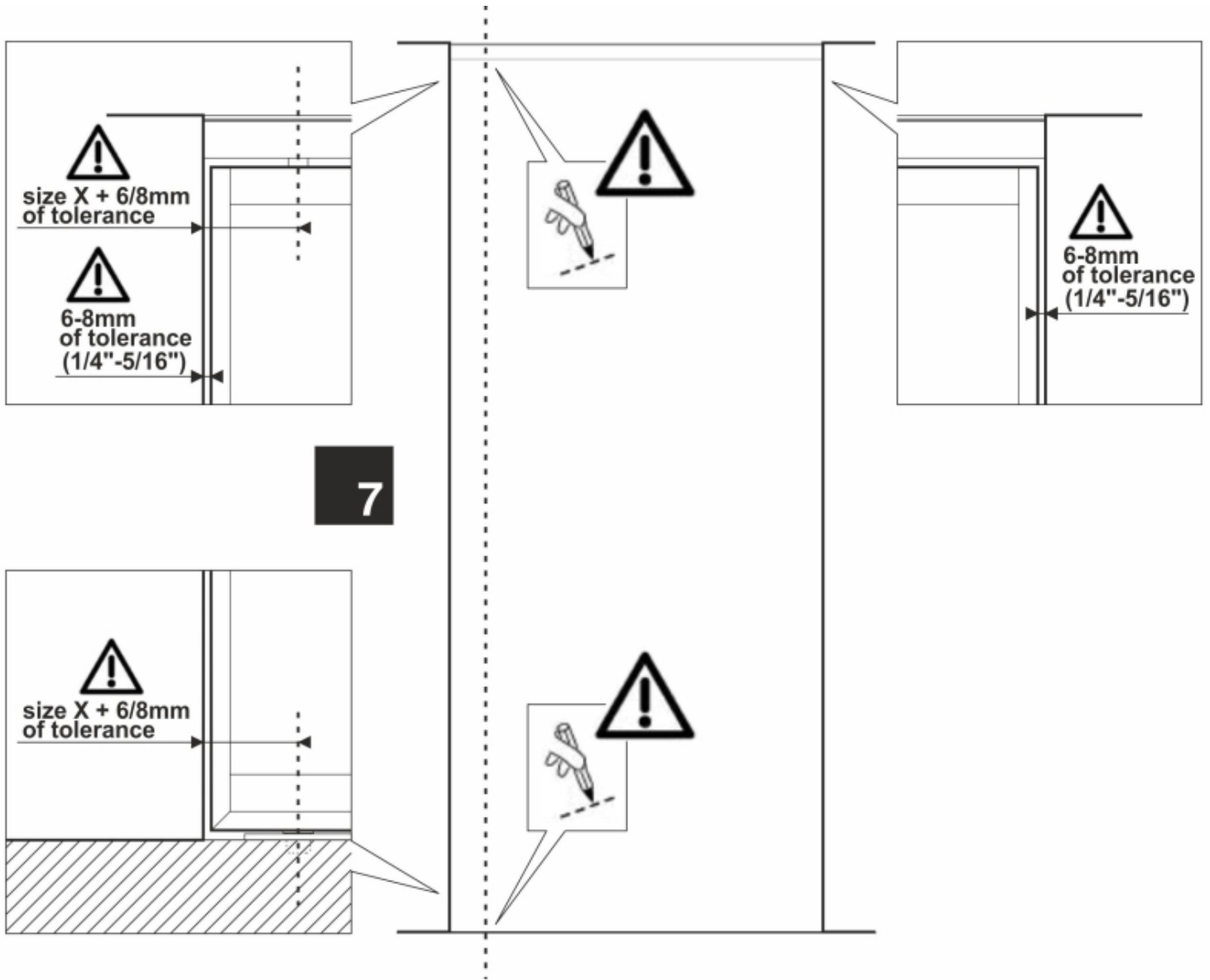
**1**

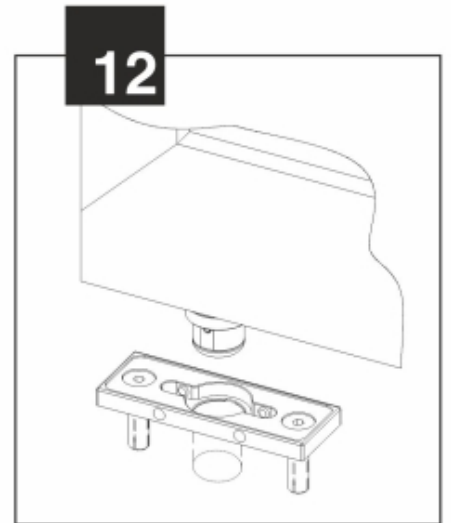
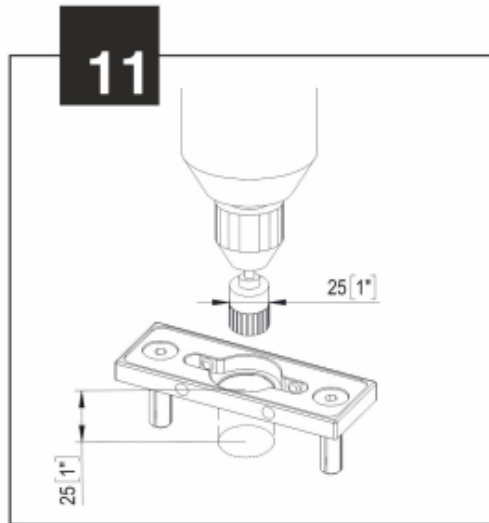
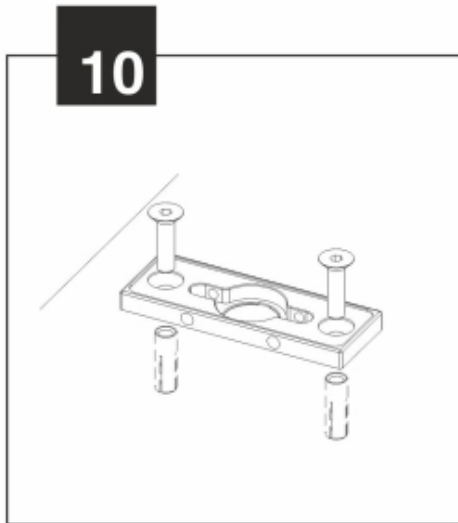
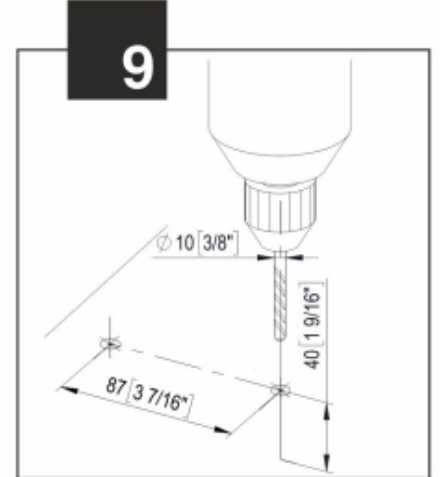
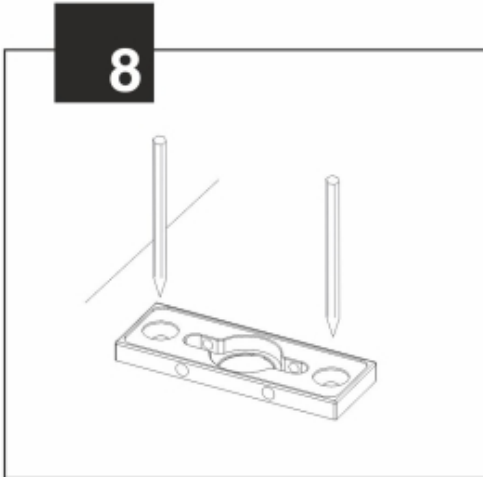
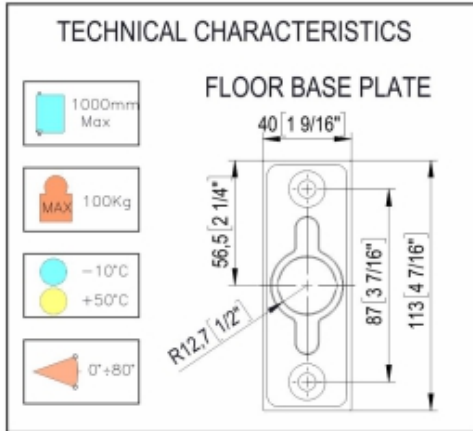
THE SIDELITE MOUNTING (OPTIONAL),  
IN BASE TO THE PROJECT SPECIFICATIONS.



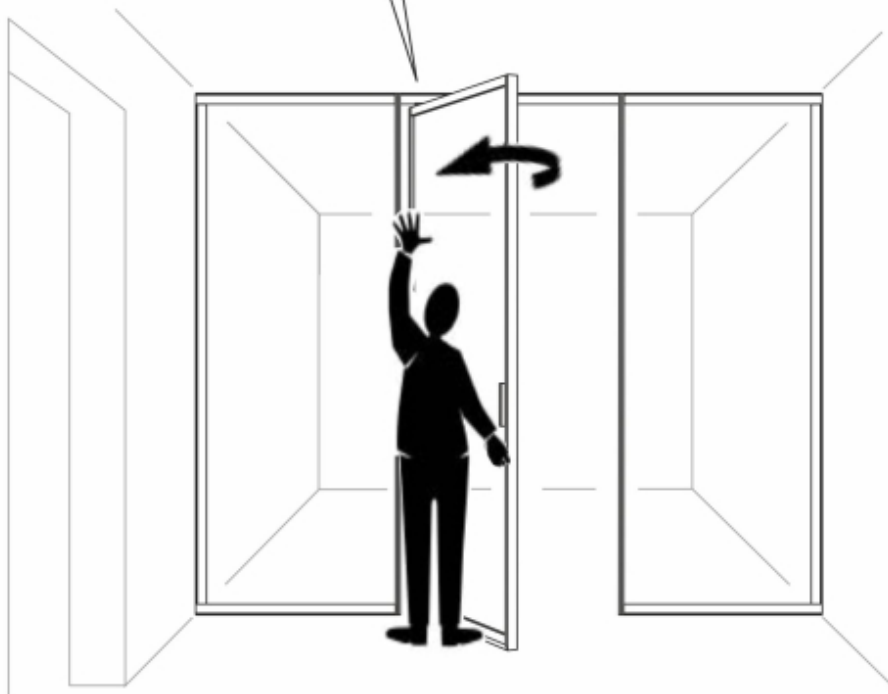
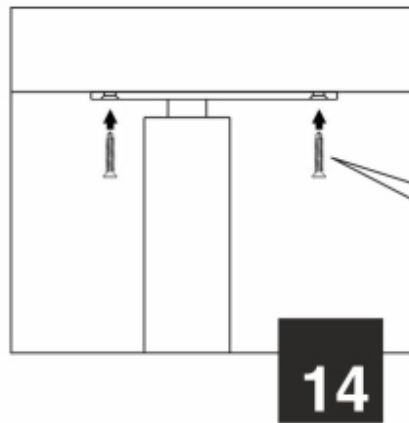
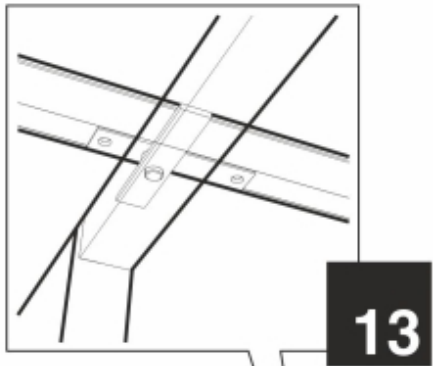






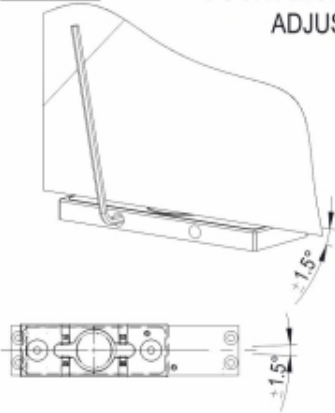






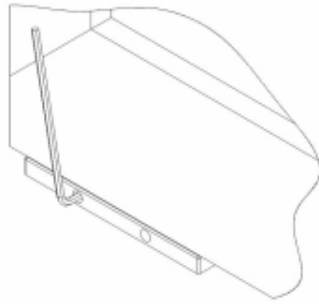
**15**

DOOR ALIGNMENT  
ADJUSTMENT



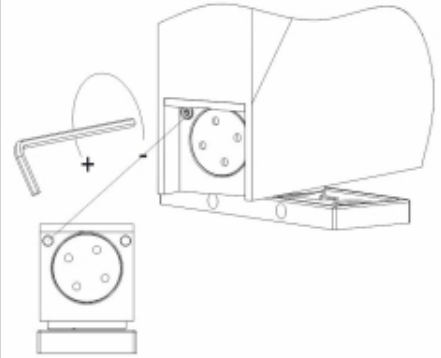
**16**

ONCE ALIGNED  
TIGHTEN THE SCREWS



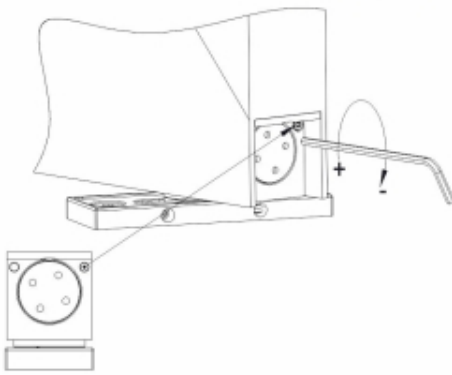
**17**

DOOR CLOSING SPEED  
ADJUSTMENT



**18**

FINAL LATCH STRENGTH  
ADJUSTMENT



**19**

