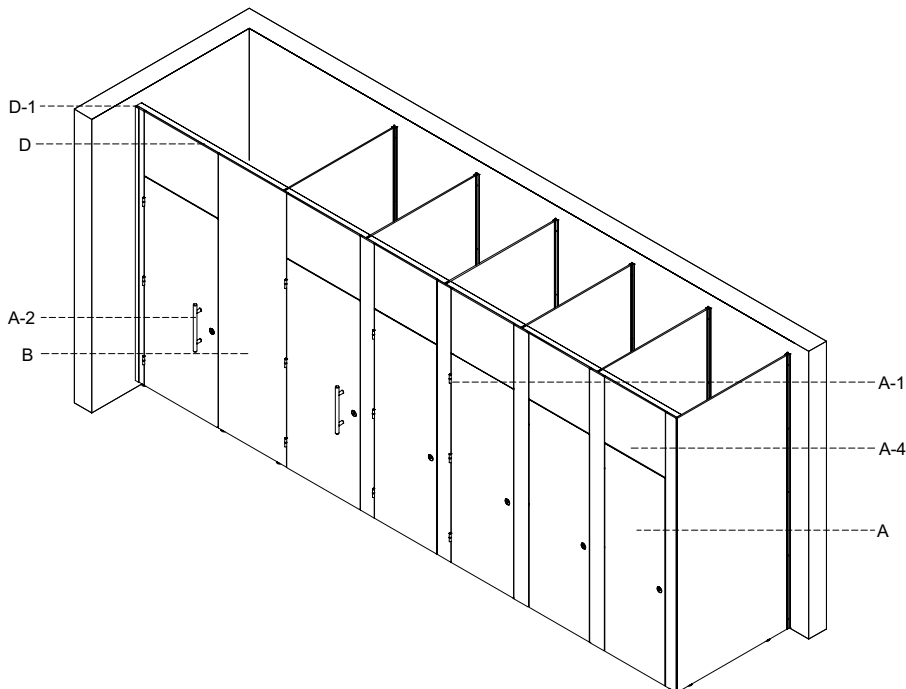
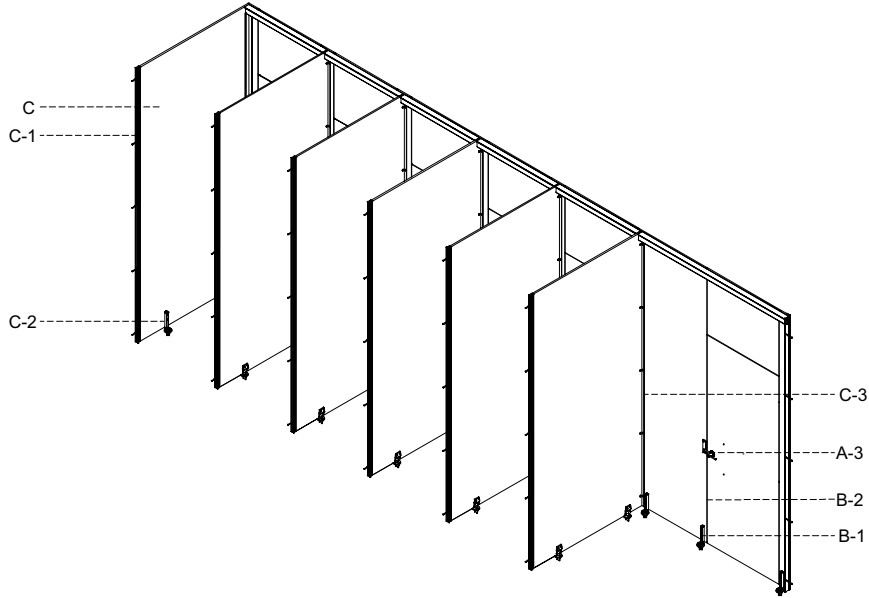


# chplENCLOSE

## Installation Instructions

- + COMMERCIAL BATHROOM CUBICLE INSTALLER REQUIRED
- + STRUCTURAL CORDINATION AND CALCULATION BY OTHER
- + CARVART ASSIST WITH INSTALL AND CORDINATION



# chplENCLOSE

## Installation Guide

### DOOR

1. ASSEMBLE DOOR COMPONENTS ON CHPL PANEL
2. USE STANDARD LATCH
3. SELECT PULL TYPE
4. INSERT GRAVITY BUTT HINGES FROM DOOR PANEL INTO FIXED PILASTER PANEL

### FIXED PILASTER PANEL

1. BACK FASTEN HEADER TO FIXED PILASTER PANEL
2. FASTEN TO DIVIDER PANEL
3. BACK FASTEN SUPPORT LEGS AND MOUNT TO FLOOR

### DIVIDER

4. INSTALL T-CONNECTION TO FIXED DIVIDER
5. INSTALL SUPPORT LEGS

### HEADER

1. ATTACH TO FIXED TRANSOM
2. ATTACH TO FIXED FRONT PILASTERS

## COMPONENTS

**NOTE:** Letters correspond to components labeled on the 'TYPICAL COMPONENTS' diagram.

### A. Door

Material: cHPL

- 9/16" Compact High Pressure Laminate
  - Specify Color & Pattern
- A-1 Gravity Butt Hinge
- A-2 Pull Options
- Round Pull
  - Rectangle Pull
  - ADA Rectangle Pull
  - Ladder Pull
  - Back to Back Ladder Pull
- A-3 Lever Latch
- A-4 Fixed Transom

### B. Fixed Pilaster Panel

Material: cHPL

- 9/16" Compact High Pressure Laminate
  - Specify Color & Pattern
- B-1 Back Fastened Support Leg - Clearance Options:
- 3" Floor Clearance
  - 9" Floor Clearance
  - 12" Floor Clearance
- B-2 Rabbeted Door Jamb with Bulb Gasket

### C. Divider

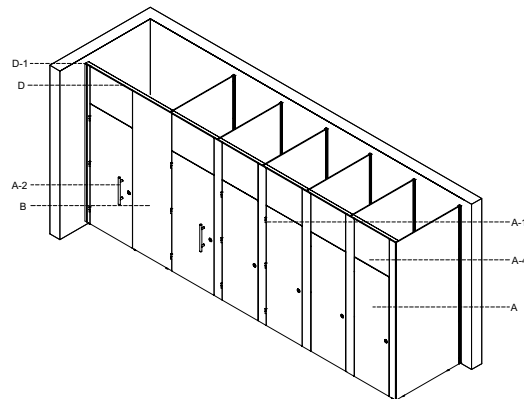
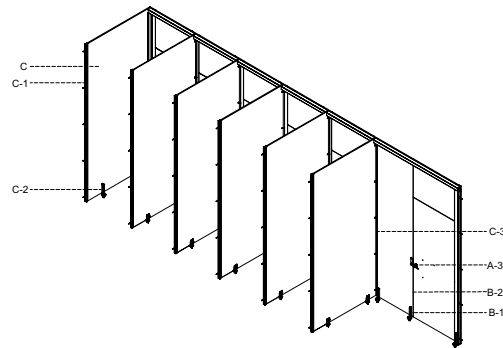
Material: cHPL

- 9/16" Compact High Pressure Laminate
  - Specify Color & Pattern
- C-1 Full Height Vertical Profile
- C-2 Clamp Support Leg - Clearance Options:
- 3" Floor Clearance
  - 9" Floor Clearance
  - 12" Floor Clearance
- C-3 T-Connection (to Fixed Pilaster Panel)

### D. Stabilizing Header

Material: Double Anodized Aluminum

- Standard Finish: Satin Anodized Aluminum
  - Specify Color & Pattern
- D-1 Wall Mounted Stabilizing Connection
- D-2 LED Privacy Indicator (Optional)



### TOOLS NEEDED

Use other standard installation tools

#### DRILL

Use power tools for drilling into building structure.



#### SCREW DRIVER

Use hand tools only for all galls attachments



#### HEX KEY

Required metric tools



#### TAMPER PROOF UN-LOCK TOOL

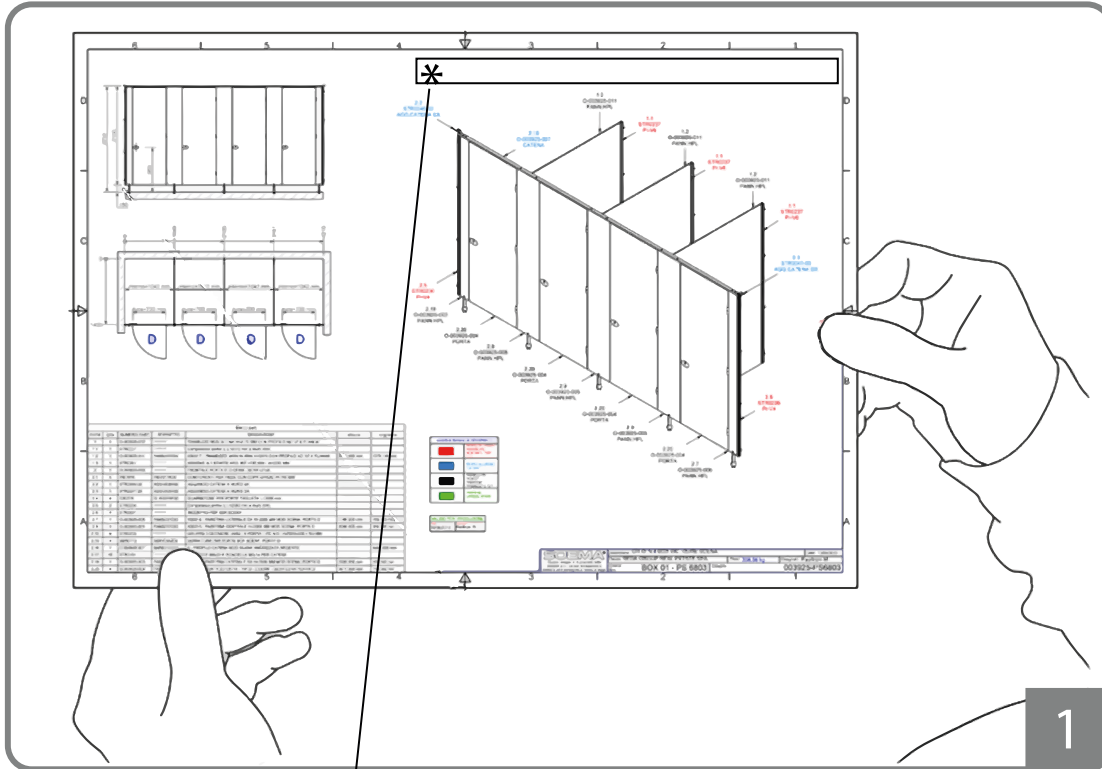
Required metric tool supplied by CARVART.



# INSTALLATION INSTRUCTIONS

## NOTES

Check all drawings

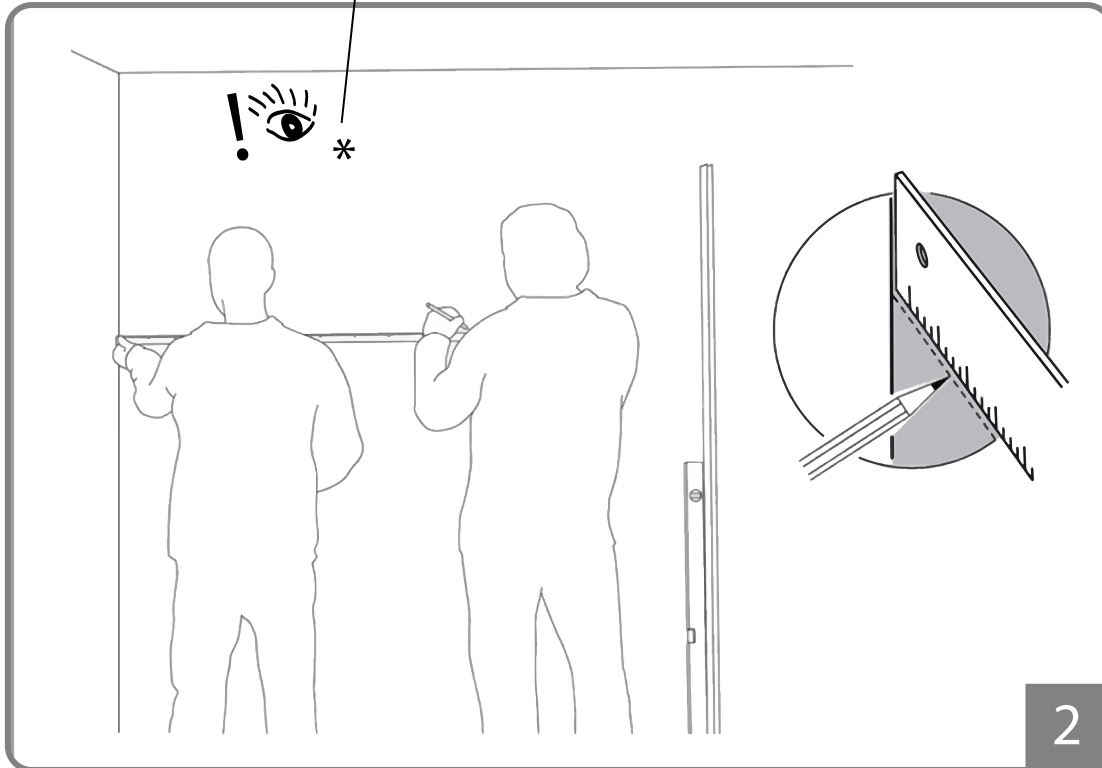


## STEP 1

INSPECT CRATE CONTENT FOR ANY DAMAGE FROM SHIPPING.

DO NOT PROCEED WITHOUT THOROUGH INSPECTION OF MATERIAL.

- CHECK SHOP DRAWINGS
- CHECK FIELD DIMENSIONS
- CHECK TOOLS
- CHECK EQUIPMENT



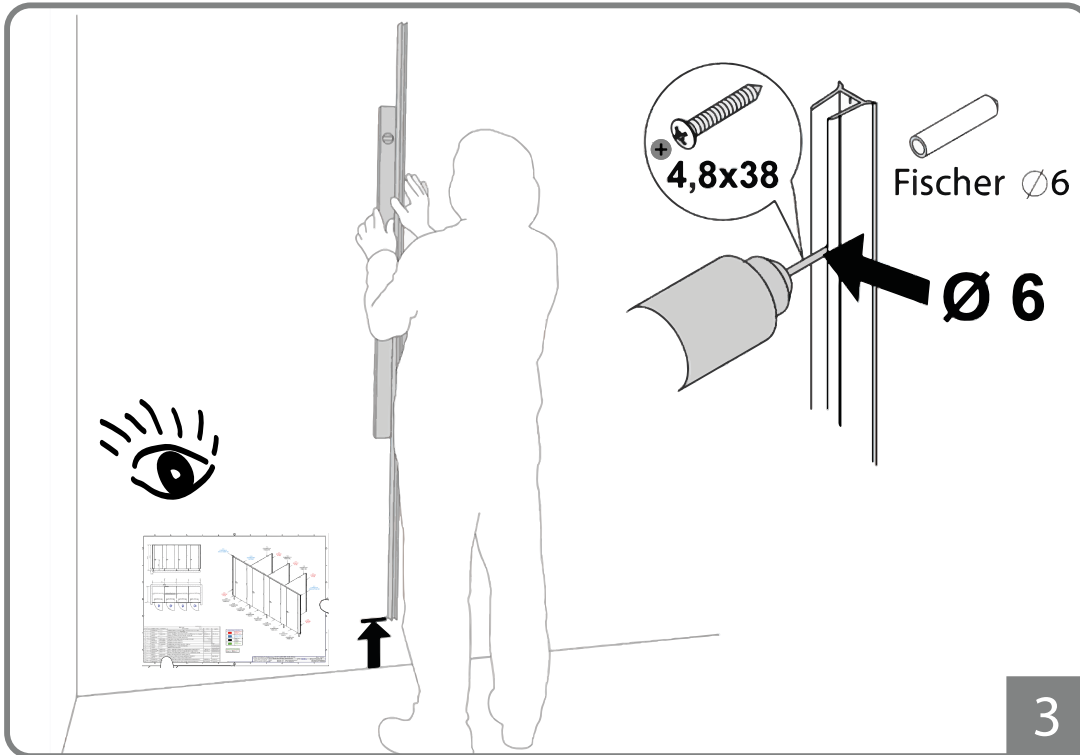
## STEP 2

MEASURE AND MARK ANCHORING SPOTS

# INSTALLATION INSTRUCTIONS

## NOTES

Check all drawings

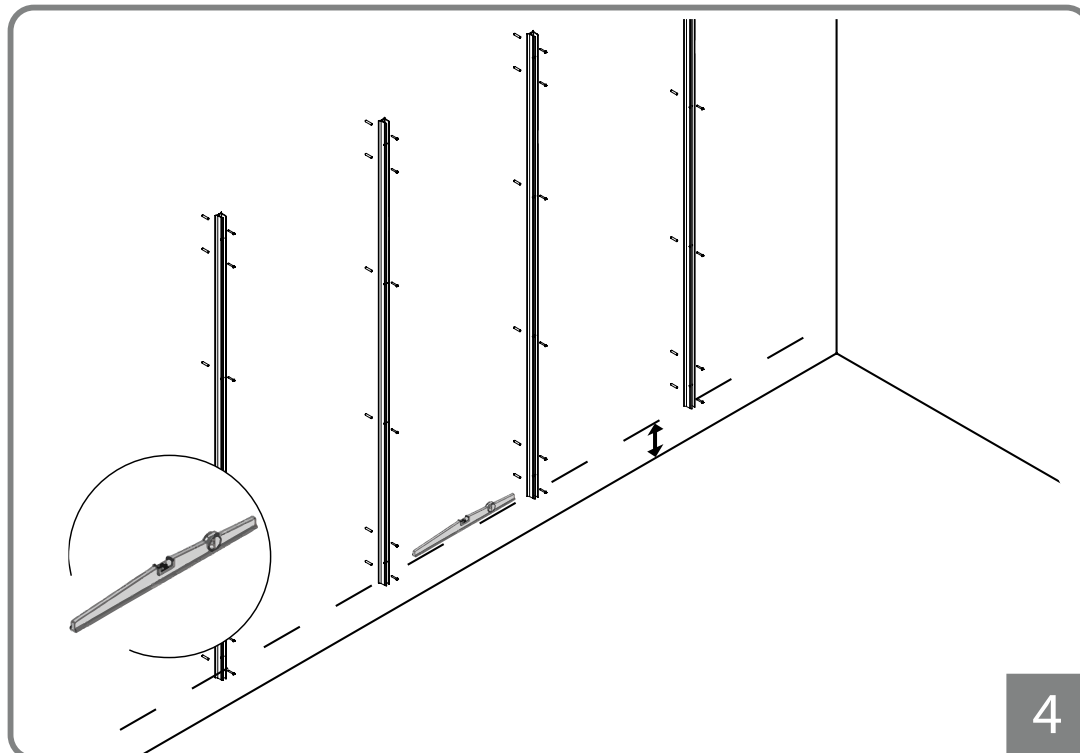


## STEP 3

DRILL HOLE  
INSERT ANCHOR  
FASTEN CHANNEL TO WALL  
WITH SCREW

ALTERNATE: WOOD SCREWS/  
SHEET METAL SCREW CAN  
BE USED DEPENDING ON THE  
BLOCKING TYPE PROVIDED  
BY CONTRACTOR. ALTERNATE  
TYPE OF SCREWS ARE NOT  
PROVIDED BY CARVART

3



## STEP 4

MAKE SURE ALL DIVIDER  
CHANNELS ARE LEVEL

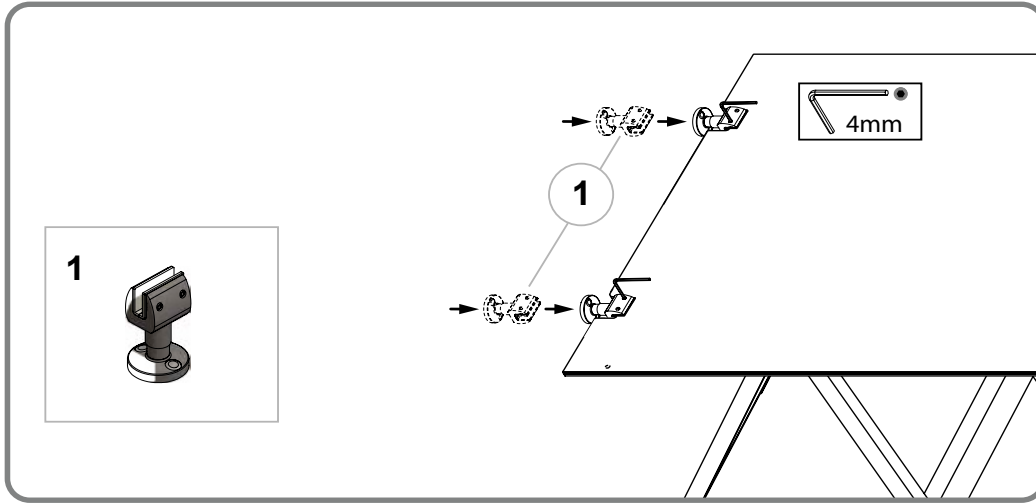
REFER TO SHOP  
DRAWINGS FOR BLOCKING  
REQUIREMENTS.

4

# INSTALLATION INSTRUCTIONS

**NOTES**

Check all drawings

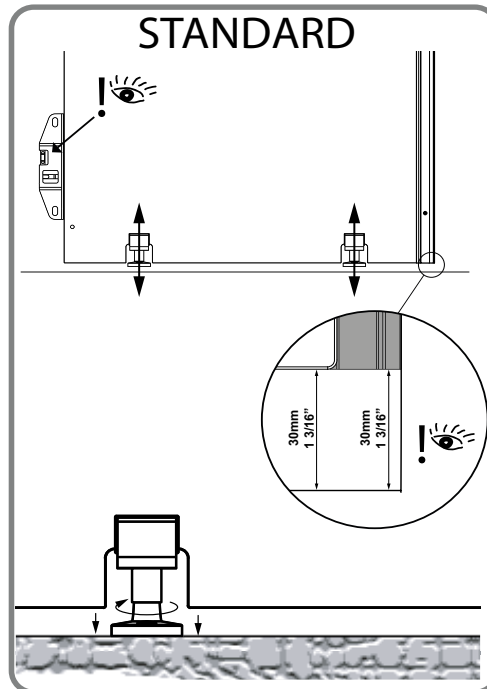
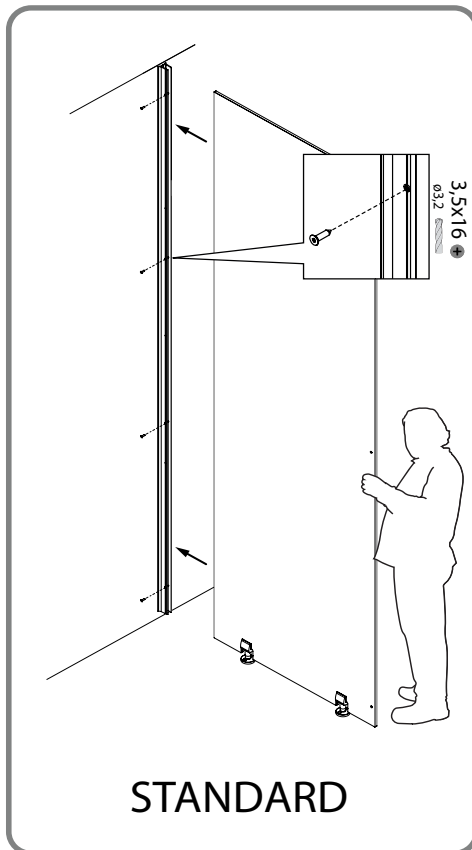


## STEP 5

SCREW AND FASTEN SUPPORT LEG TO DIVIDER PANEL.

DO NOT ANCHOR THE FLOOR SUPPORT LEG INTO THE FLOOR UNTIL THE END.

THE DIVIDER WILL SLOT INTO THESE CONNECTIONS.



## STEP 6

INSERT CONNECTED DIVIDER AND PILASTER INTO THE MOUNTED DIVIDER CHANNEL.

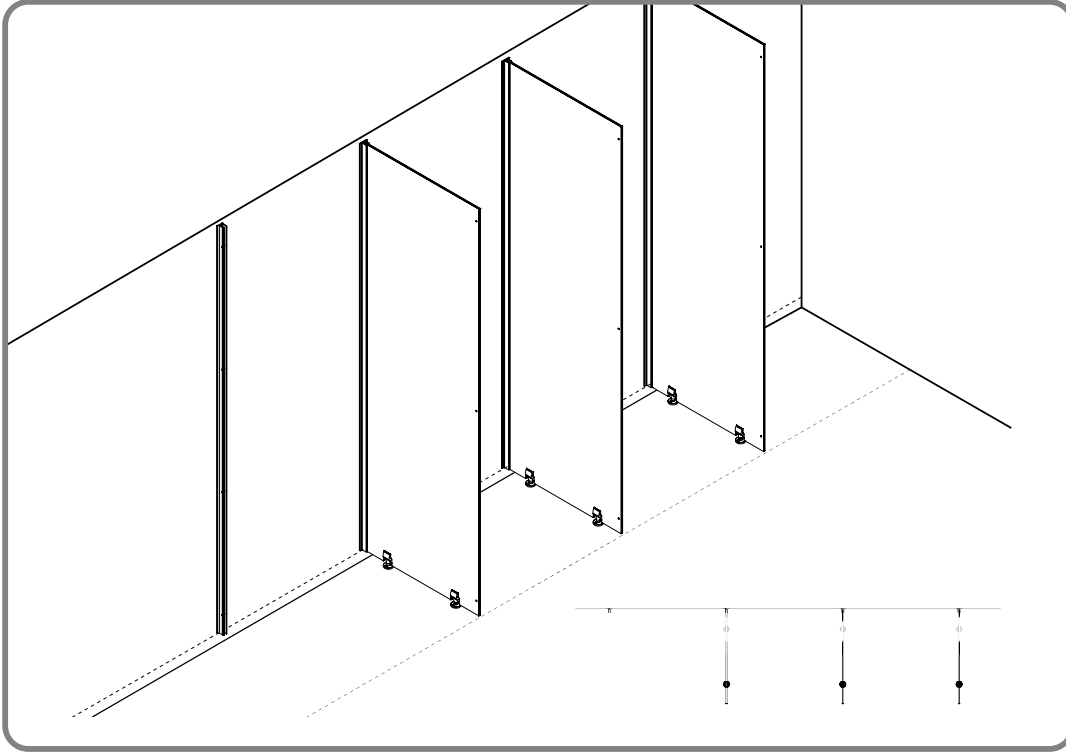
DO NOT ANCHOR THE FLOOR SUPPORT LEG INTO THE FLOOR UNTIL THE LATER STEP.

ENSURE DIVIDER IS LEVEL.

# INSTALLATION INSTRUCTIONS

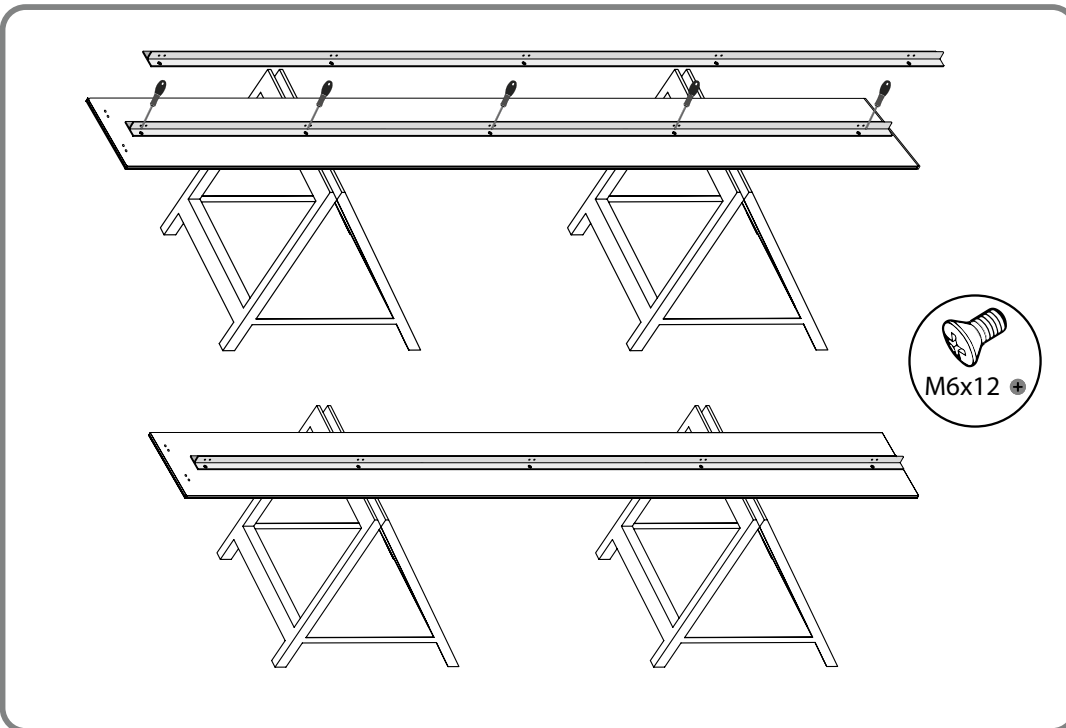
## NOTES

Check all drawings



## STEP 7

INSERT CONNECTED DIVIDER AND PILASTER INTO THE MOUNTED DIVIDER CHANNEL.



## STEP 8

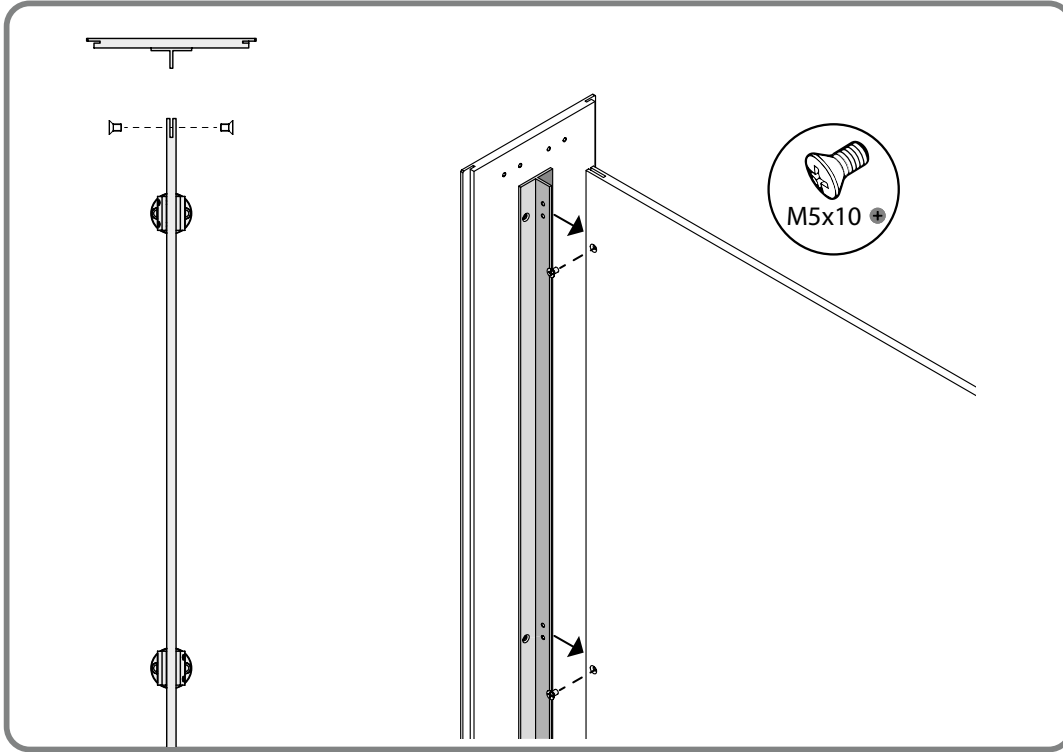
INSERT PILASTER INTO DIVIDER USING T-CONNECTION.

THE DIVIDER WILL SLOT INTO THESE CONNECTIONS.

# INSTALLATION INSTRUCTIONS

**NOTES**

Check all drawings

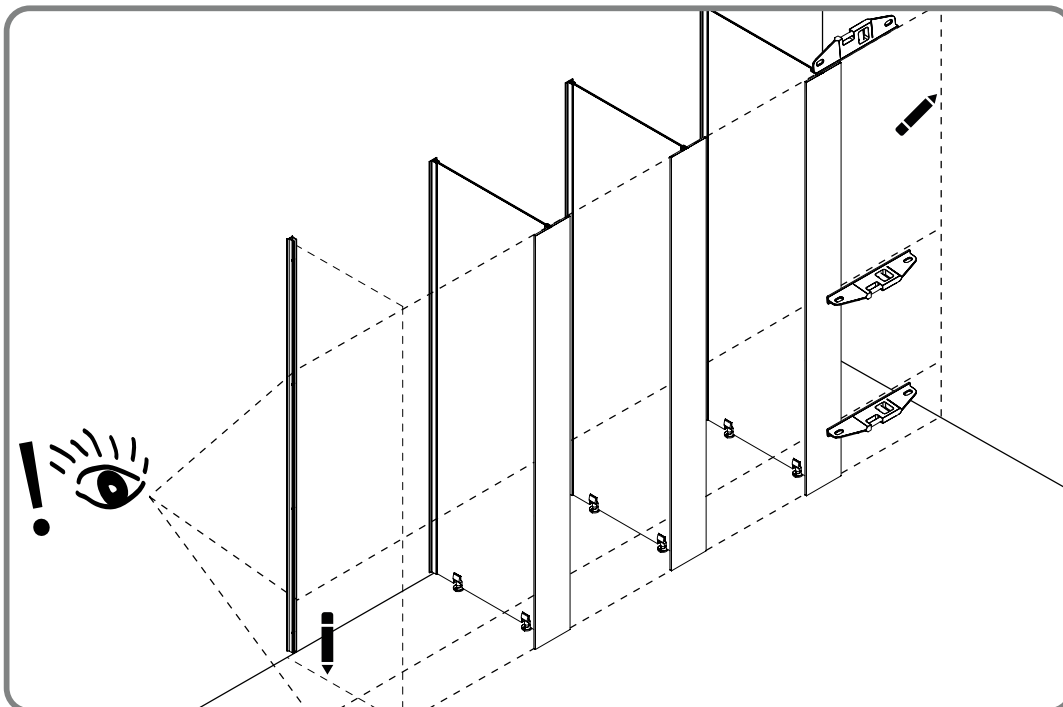


## STEP 9

INSERT DIVIDER INTO PILASTER USING T-CONNECTION.

THE DIVIDER WILL SLOT INTO THESE CONNECTIONS.

SCREW TOGETHER WITH FASTENERS.



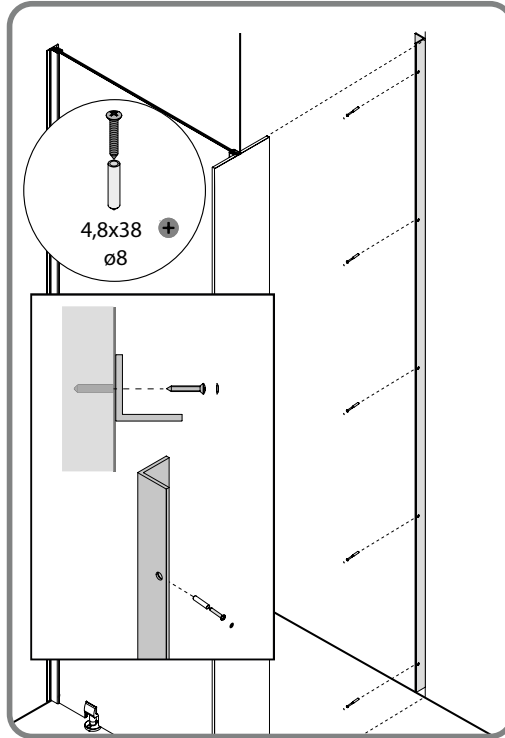
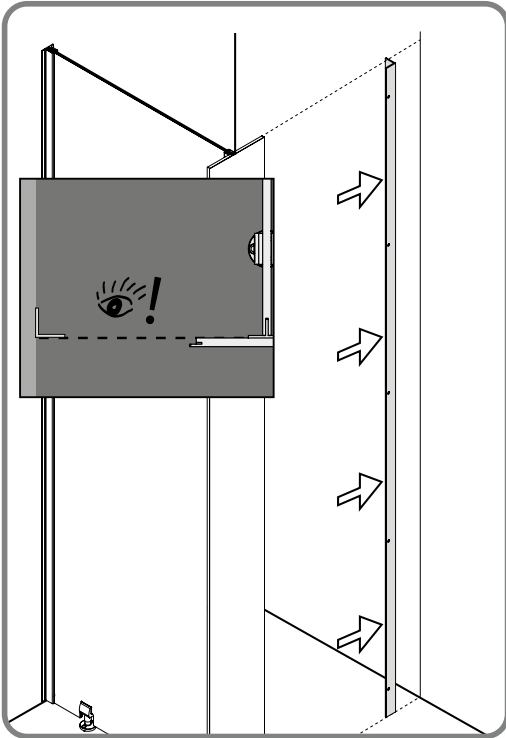
## STEP 10

ENSURE FIXED FRONT PILASTER IS LEVEL.

# INSTALLATION INSTRUCTIONS

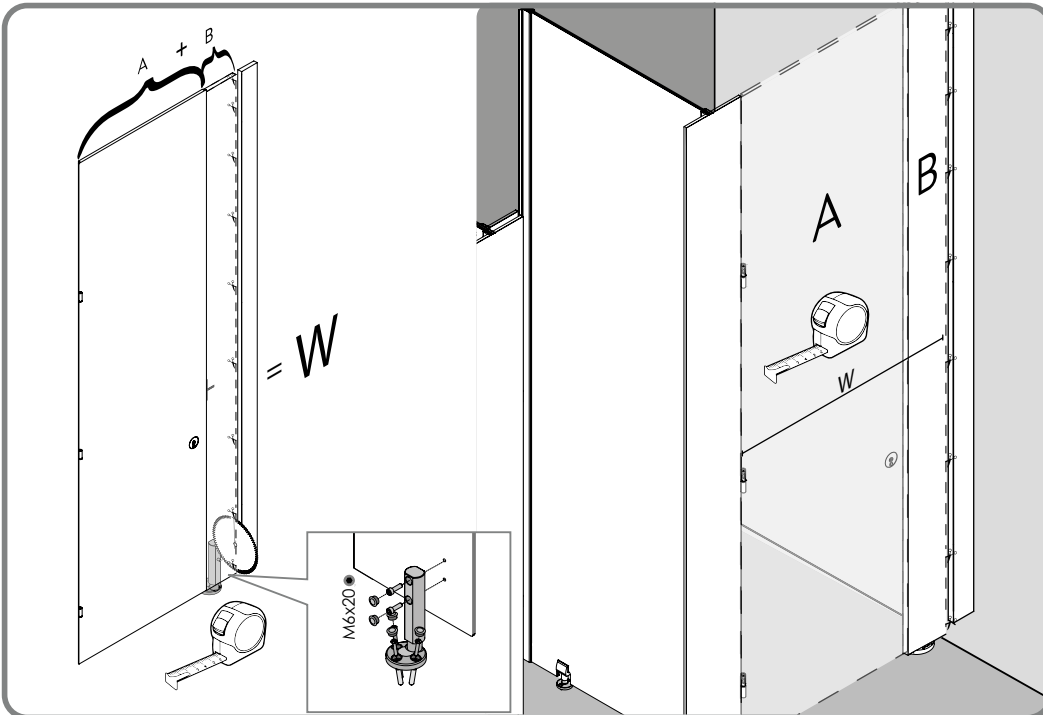
**NOTES**

Check all drawings



## STEP 11

FASTEN L CHANNEL TO WALL.



## STEP 12

BACK FASTEN SUPPORT LEG TO FRONT PILASTER PANEL.

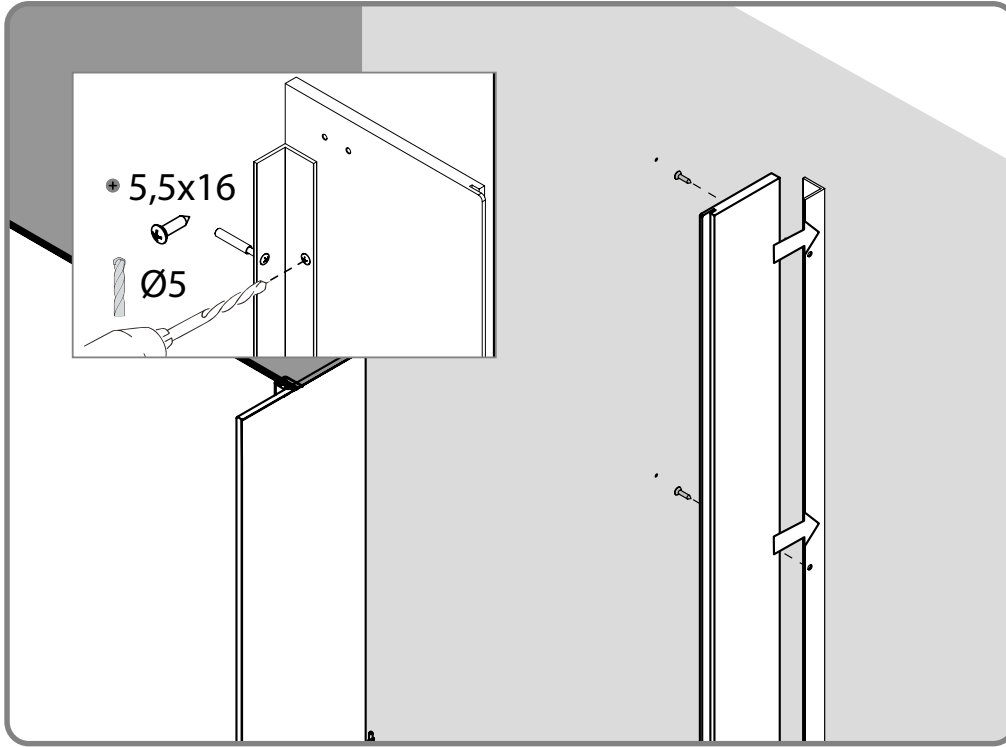
ALIGN TO DOOR AND WALL L-CHANNEL.



# INSTALLATION INSTRUCTIONS

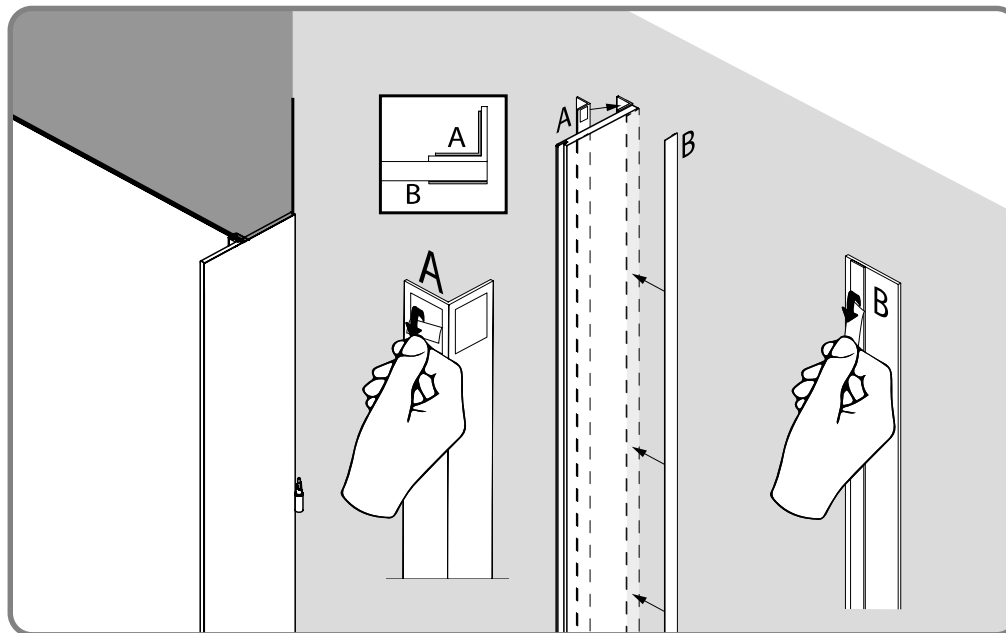
## NOTES

Check all drawings



## STEP 13

FASTEN FIXED FRONT  
PILASTER TO WALL CHANNEL.



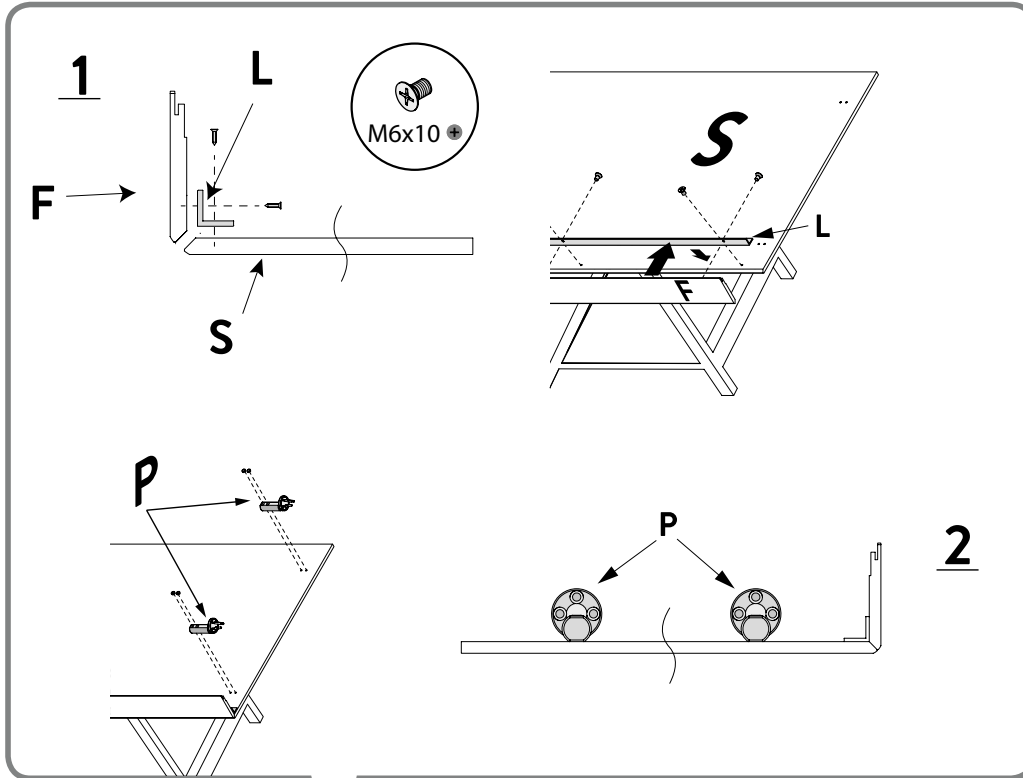
## STEP 14

APPLY VHB TAPE THAT IS  
MANUFACTURERE APPROVED.

# INSTALLATION INSTRUCTIONS

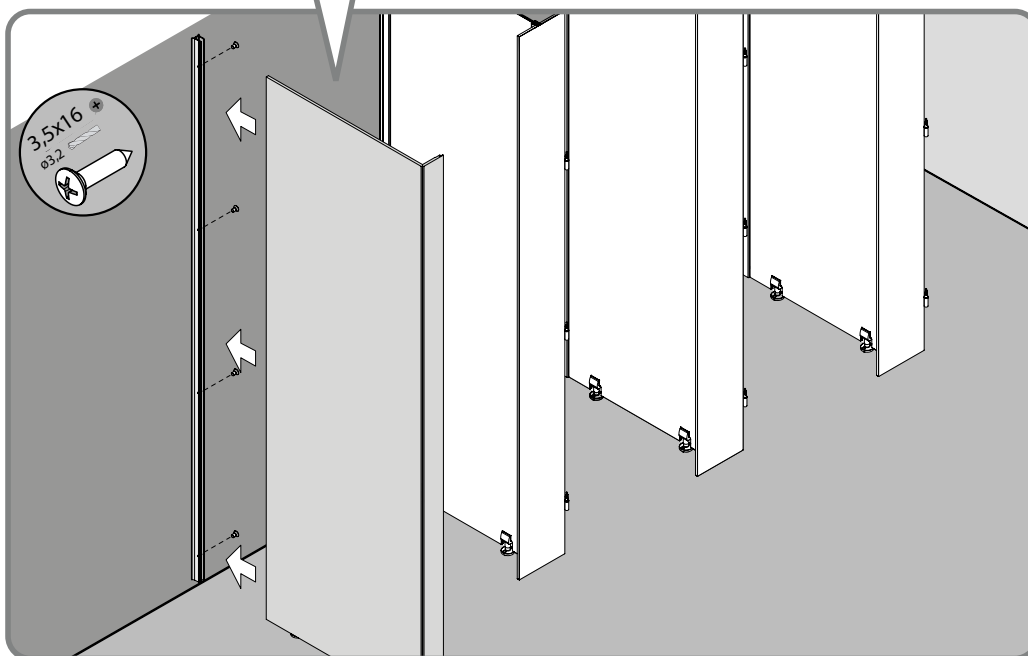
**NOTES**

Check all drawings



## STEP 15

FOR CORNERS WHERE FIXED FRONT PILASTER MEETS DIVIDER, INSTALL L-BRACKET CORNER PROFILE. ATTACH BACK FASTENED SUPPORT LEGS AFTER.



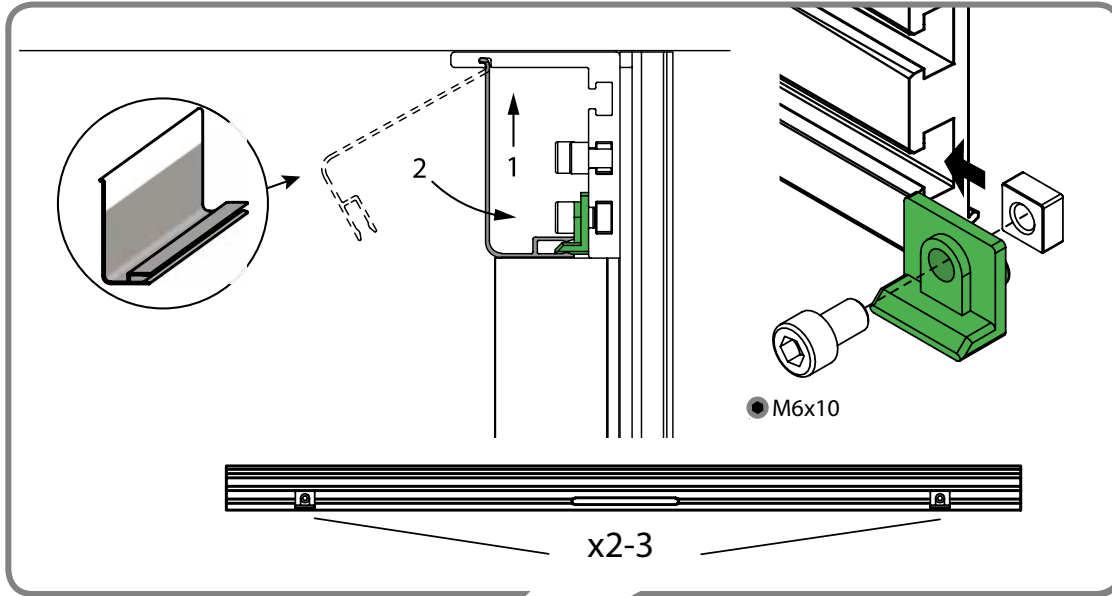
## STEP 16

POSITION THE COMBINED DIVIDER PANEL AND FIXED FRONT PILASTER INTO THE WALL CHANNEL.

# INSTALLATION INSTRUCTIONS

**NOTES**

Check all drawings

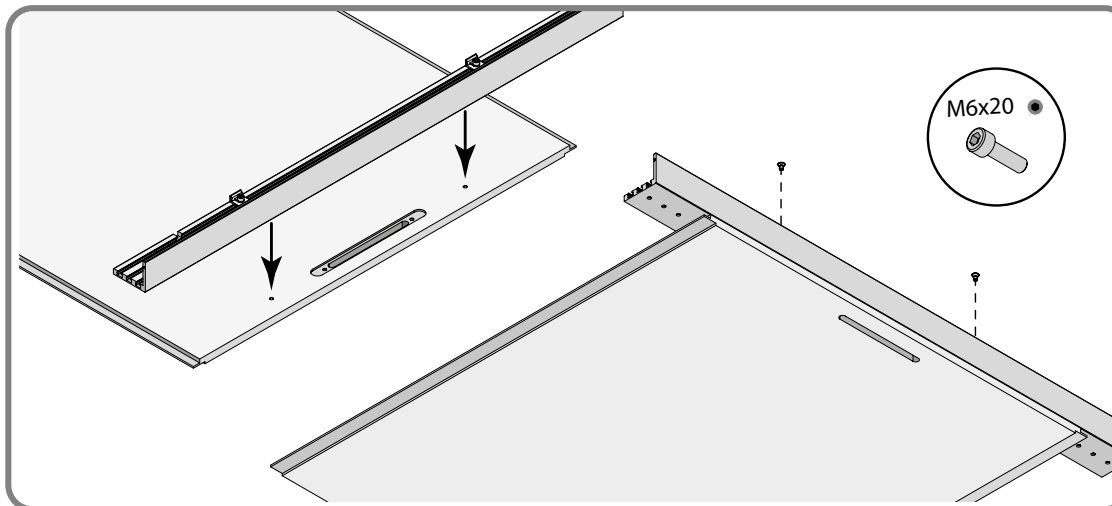
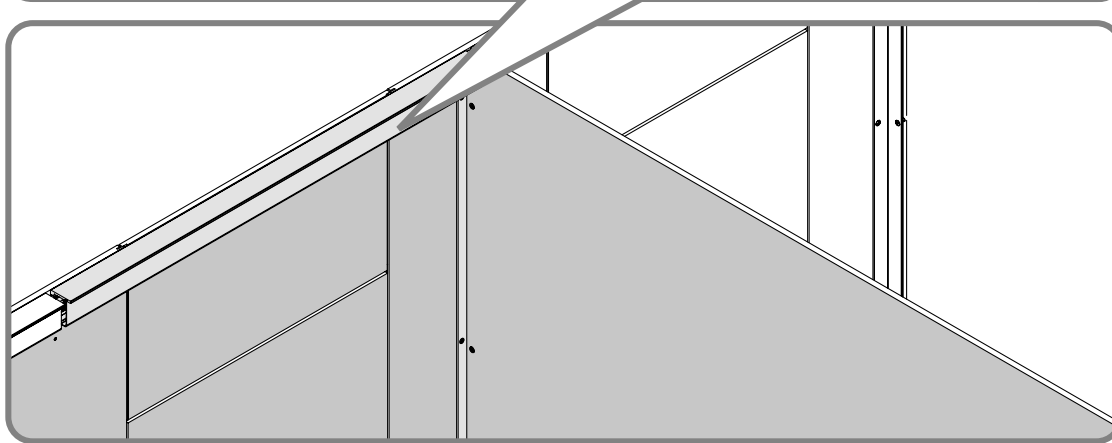


## STEP 17

**FASTEN HEADER TO BACK OF FIXED TRANSOM PANEL.**

**SLIDE FASCIA FASTENING COMPONENT INTO BACK OF HEADER. TYPICALLY 2 PER EACH OPENING.**

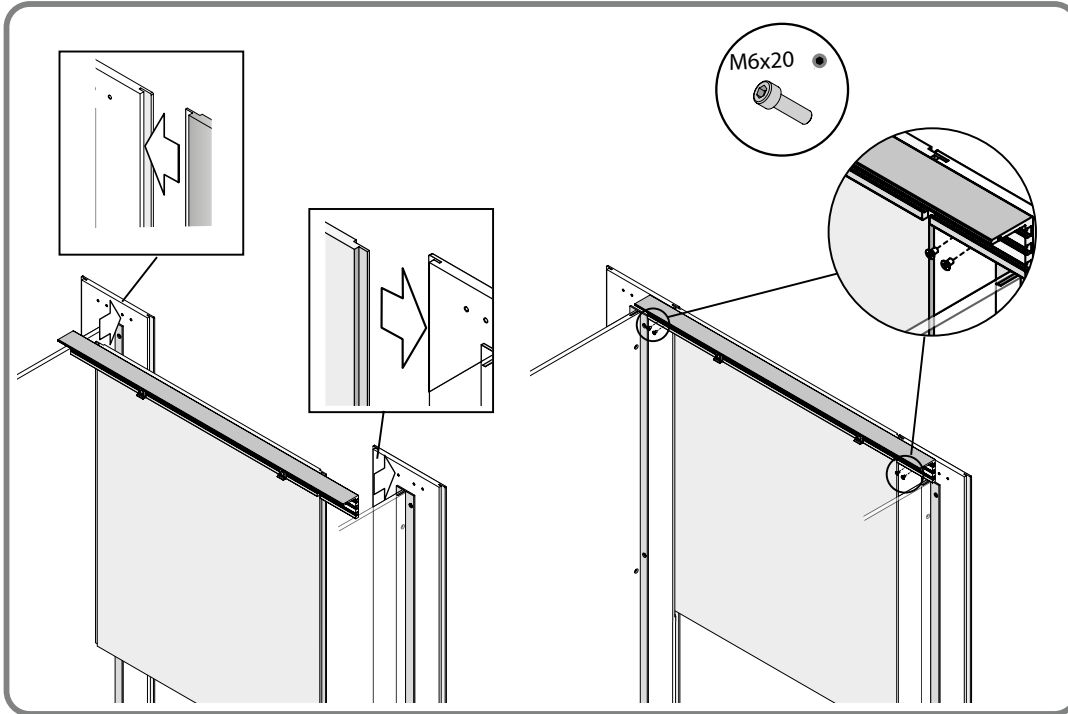
**SNAP ON FASCIA.**



# INSTALLATION INSTRUCTIONS

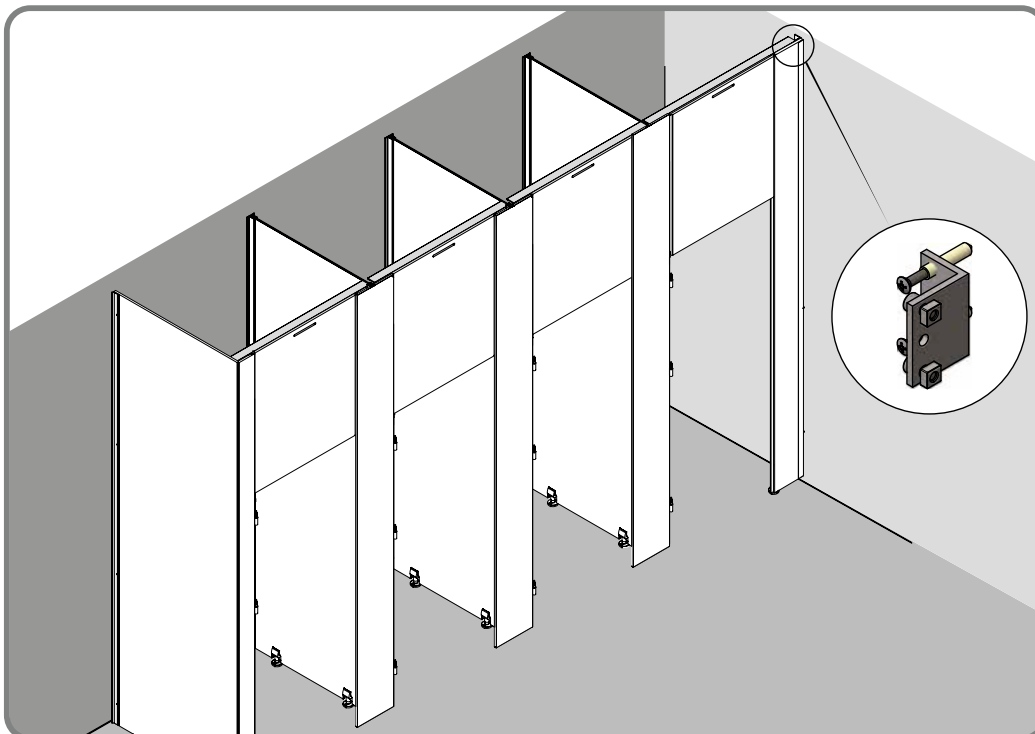
## NOTES

Check all drawings



## STEP 18

- + FASTEN FIXED TRANSOM WITH ATTACHED HEADER TO BACK OF FIXED PILASTER PANEL.



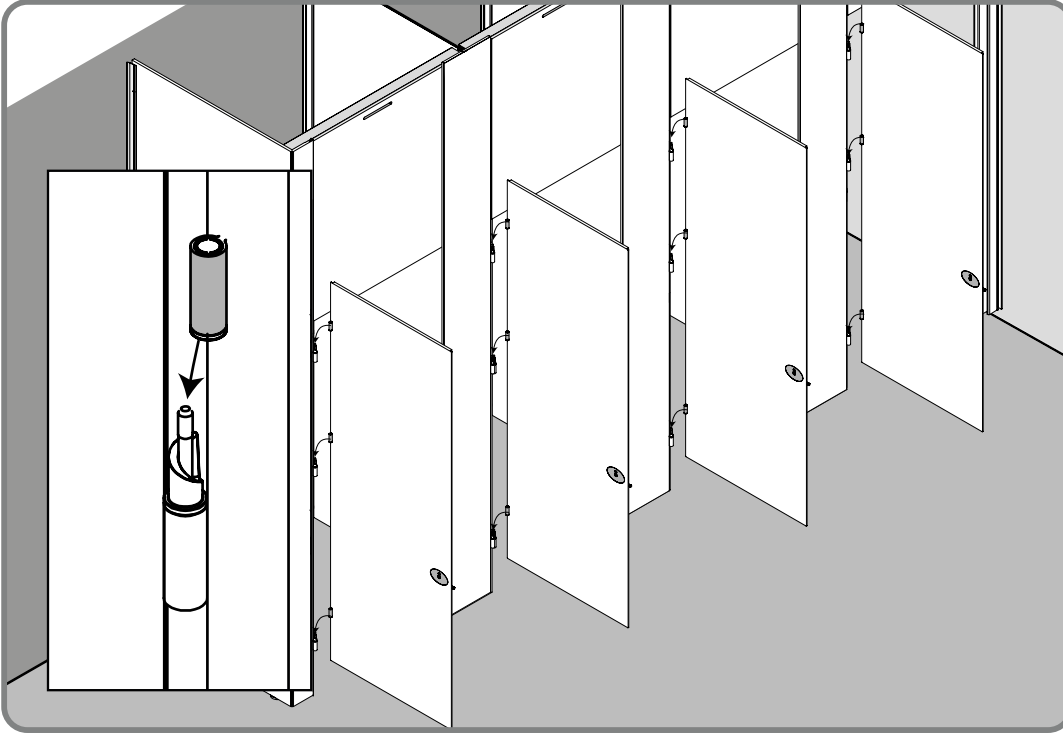
## STEP 19

- + USE L-BRACKET TO FASTEN HEADER TO WALL.

# INSTALLATION INSTRUCTIONS

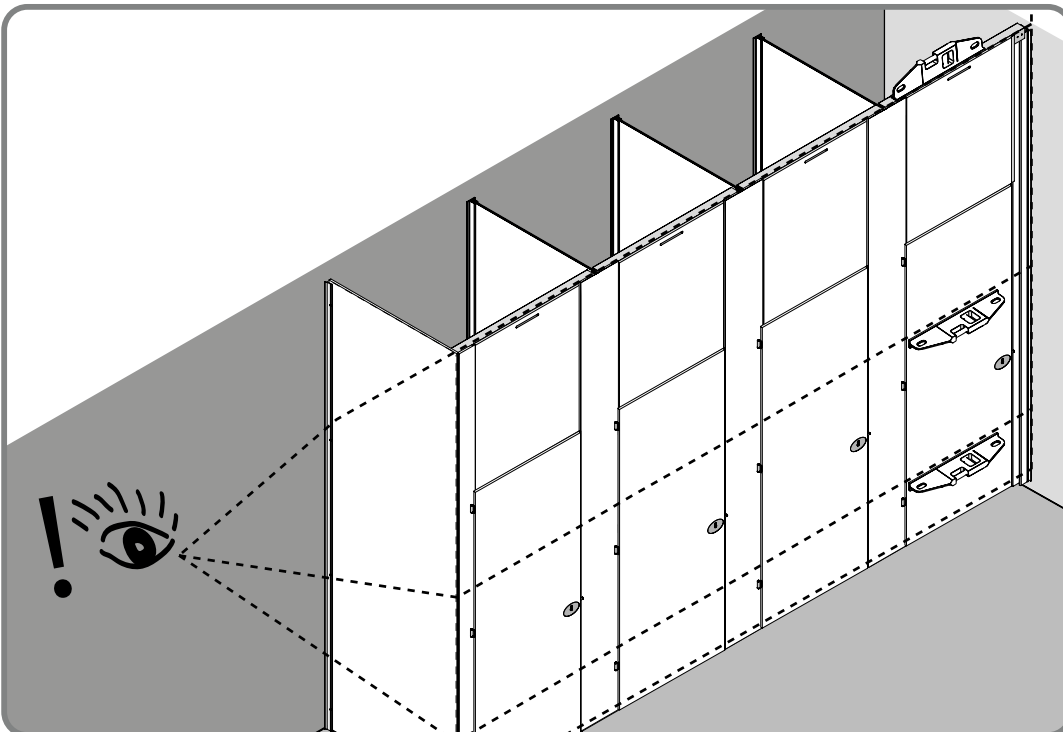
## NOTES

Check all drawings



## STEP 20

- + PLACE ASSEMBLED DOOR PANEL ONTO FIXED FRONT PILASTER PANEL.
- + INSERT GRAVITY HINGES ON DOOR PANEL TO GRAVITY HINGES ON FIXED FRONT PILASTER PANEL.



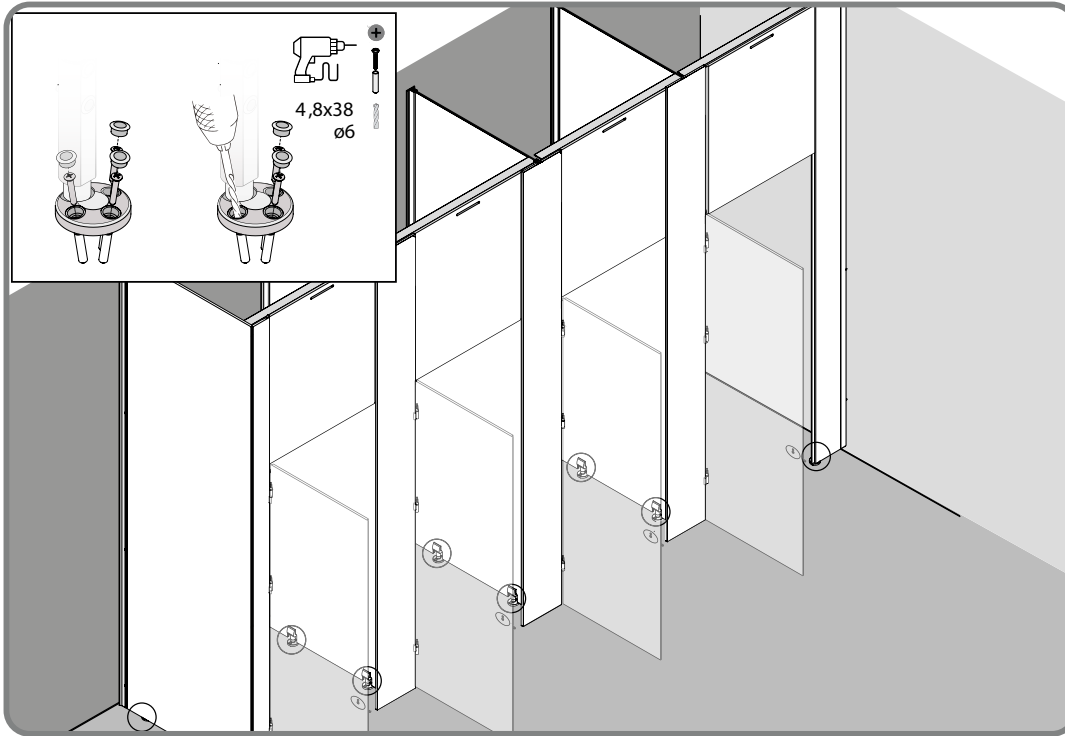
## STEP 21

- + ENSURE COMPONENTS ARE LEVEL.
- + ALL ARE

# INSTALLATION INSTRUCTIONS

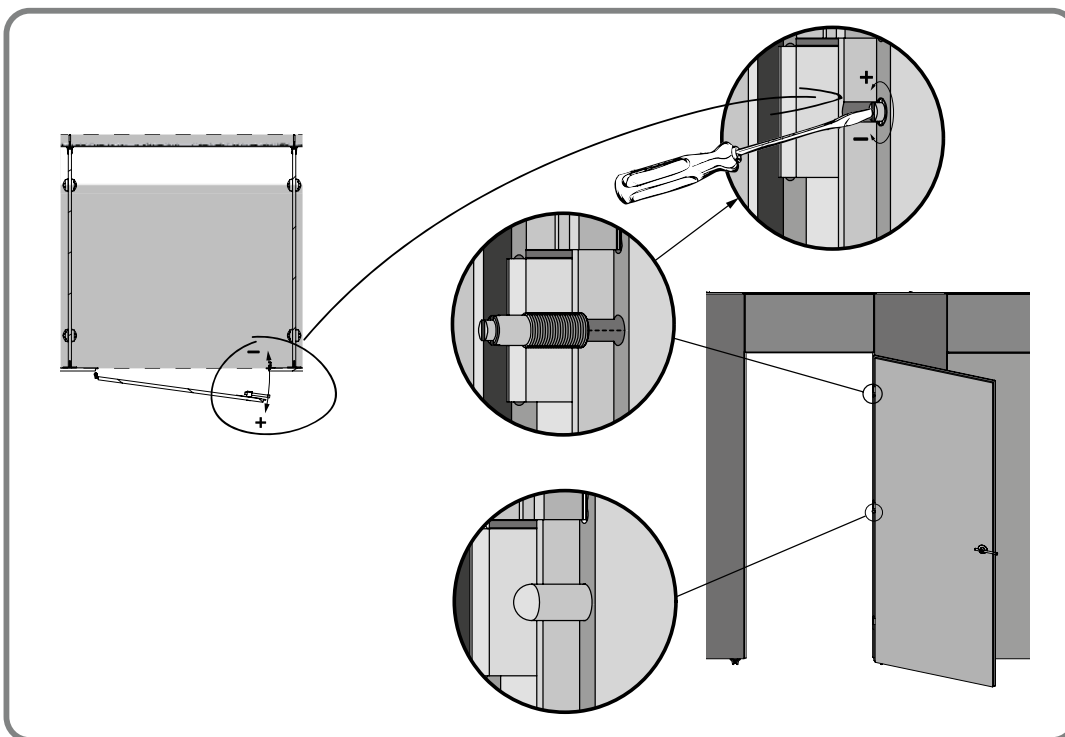
## NOTES

Check all drawings



## STEP 22

- + PLACE DOOR TO FLOOR
- + MAKE HEIGHT ADJUSTMENTS
- + MAKE LATERAL ADJUSTMENTS TO BASE PLATE
- + ONLY ONCE YOU ARE SATISFIED WITH ADJUSTMENTS DO YOU PROCEED TO FASTEN THE SUPPORT TO THE FLOOR.



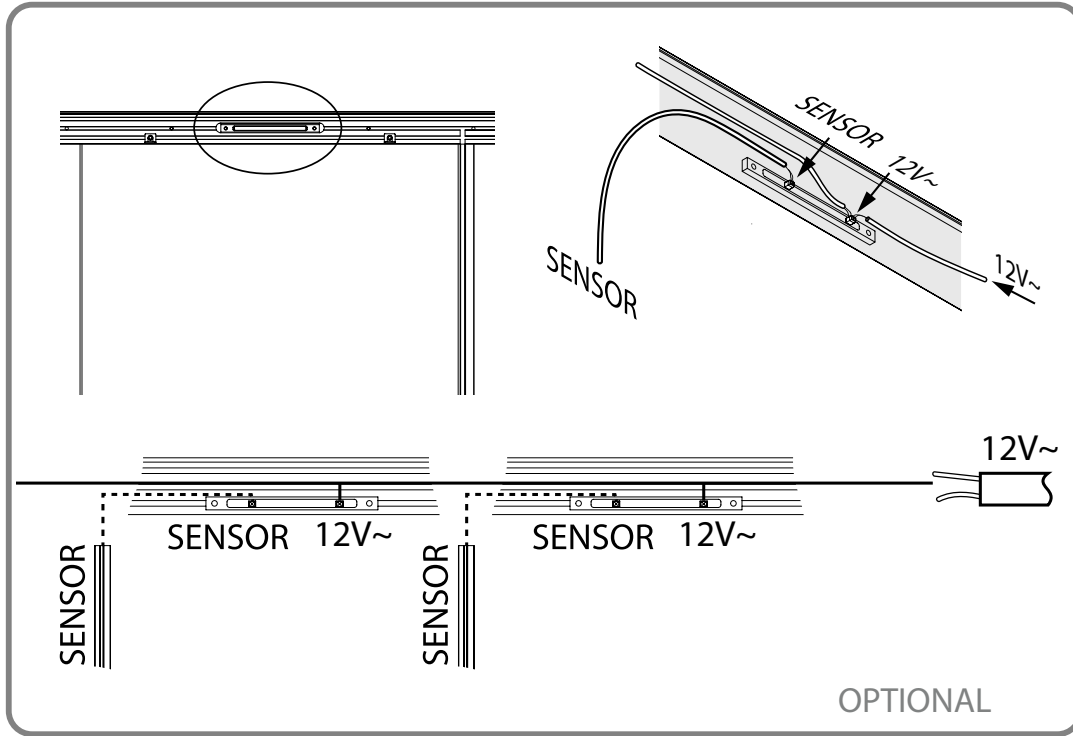
## STEP 23

- + MAKE ADJUSTMENT TO HOLD OPEN WITH SCREW DRIVER.
- + ADJUST SO DOOR IS SLIGHTLY OPEN WITH CLOSED.

# INSTALLATION INSTRUCTIONS

**NOTES**

Check all drawings



## STEP 24

- + LED PRIVACY INDICATOR USES LOW VOLTAGE WIRING
- + WIRES ARE FED THROUGH THE SUPPORT HEADER

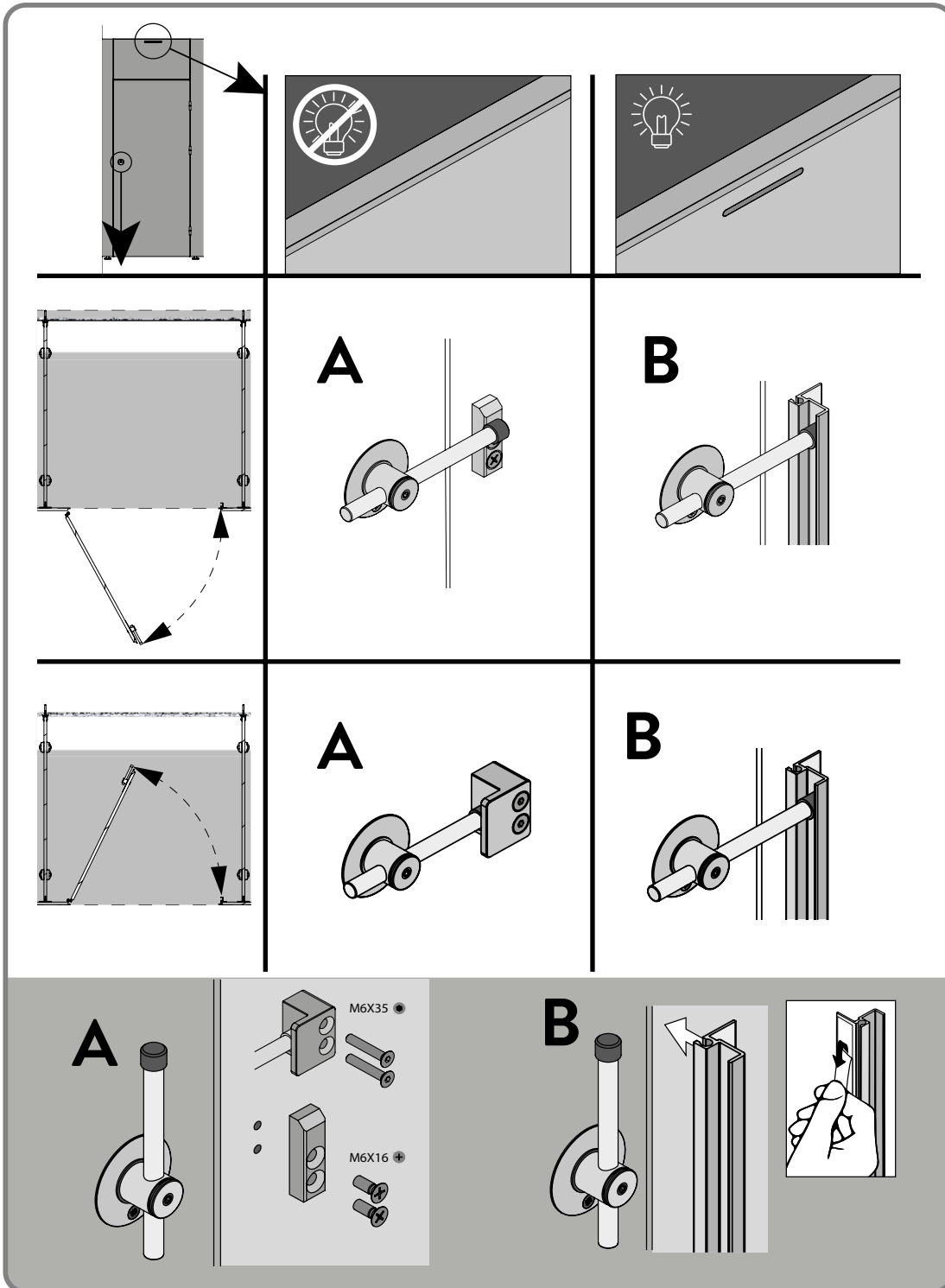
# INSTALLATION INSTRUCTIONS

**NOTES**

Check all drawings

## STEP 25

+ ENSURE WHEN LATCH IS CLOSED INDICATOR CHANGES COLOR



## STEP 26

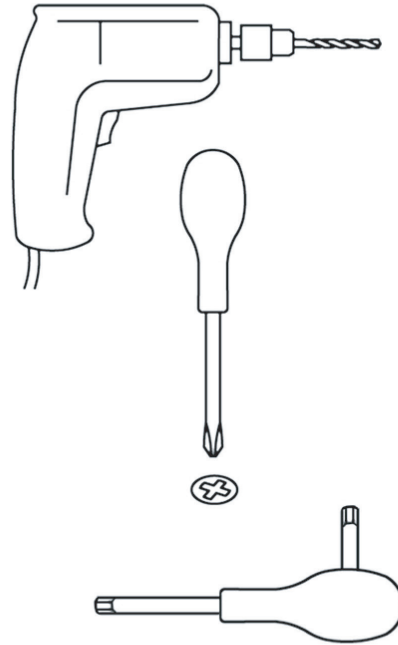
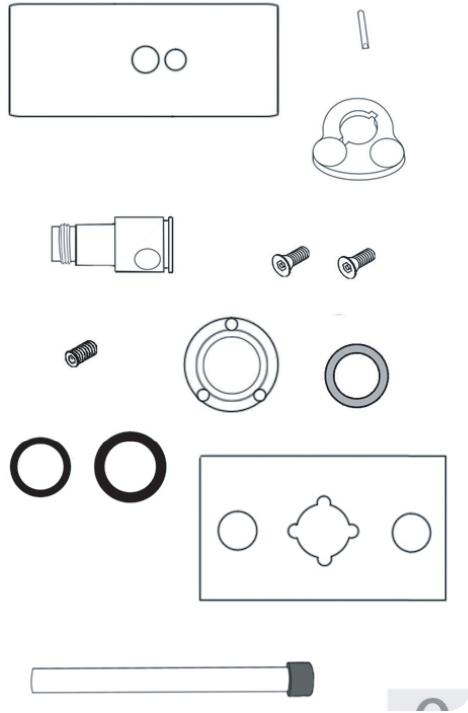
+ INSTALL JAMB ONTO FIXED FRONT PILASTER.



# INSTALLATION INSTRUCTIONS

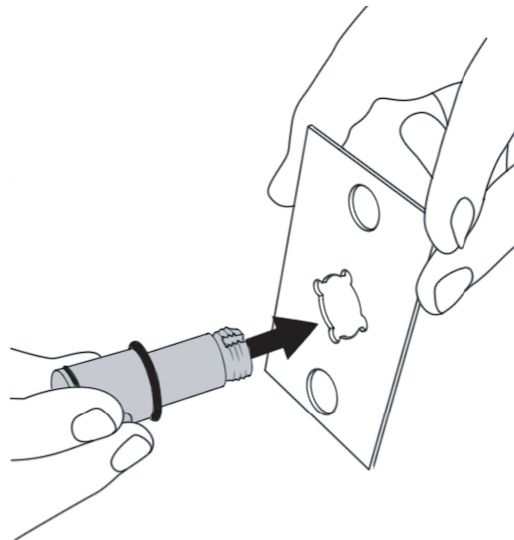
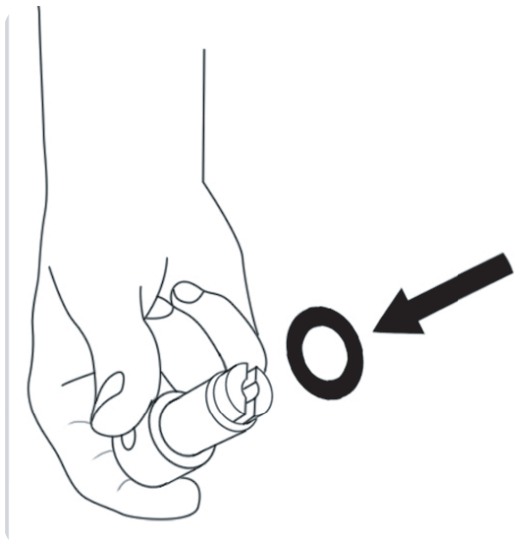
## NOTES

Check all drawings



## STEP 27

+ **DOUBLE CHECK YOU HAVE ALL LATCH COMPONENTS AND TOOLS**



## STEP 28

+ **INSERT CIRCULAR CAP AND PLACE INTO PLASTER PLATE.**

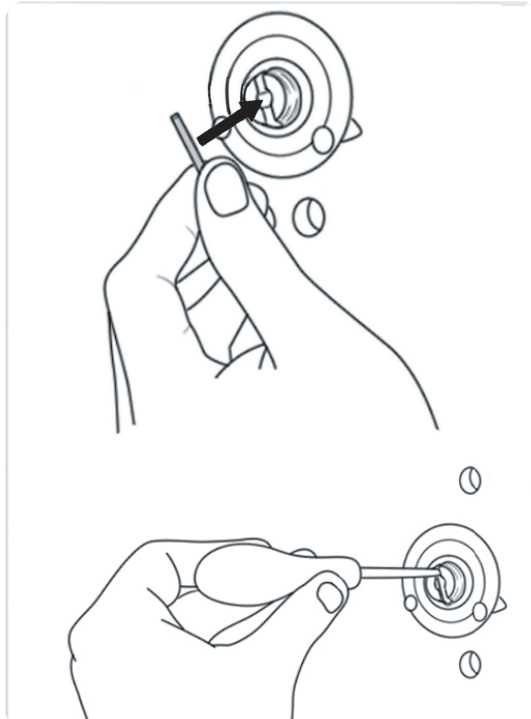
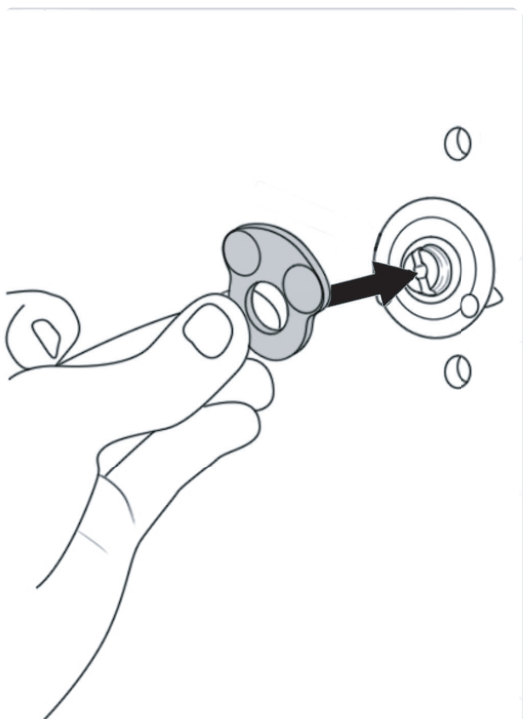
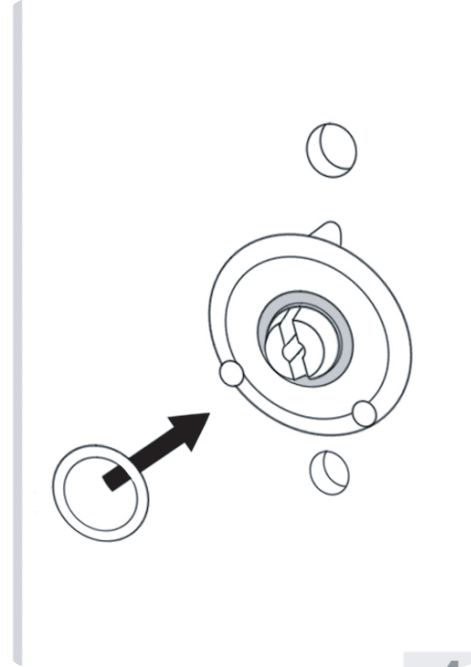
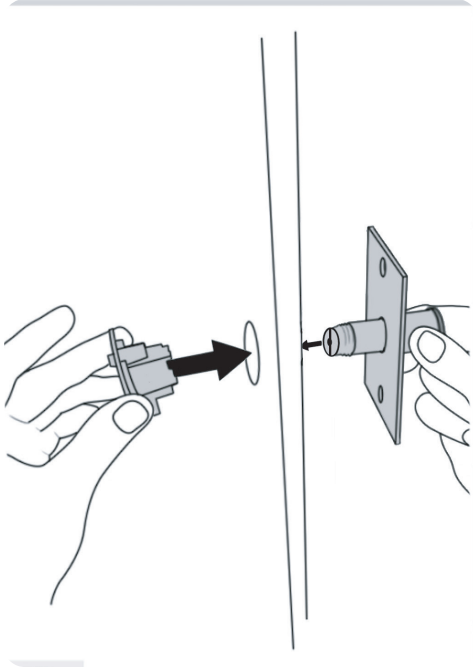
# INSTALLATION INSTRUCTIONS

**NOTES**

Check all drawings

## STEP 29

+ ASSEMBLE SELECTED  
DOOR HARDWARE ON  
DOOR PANEL



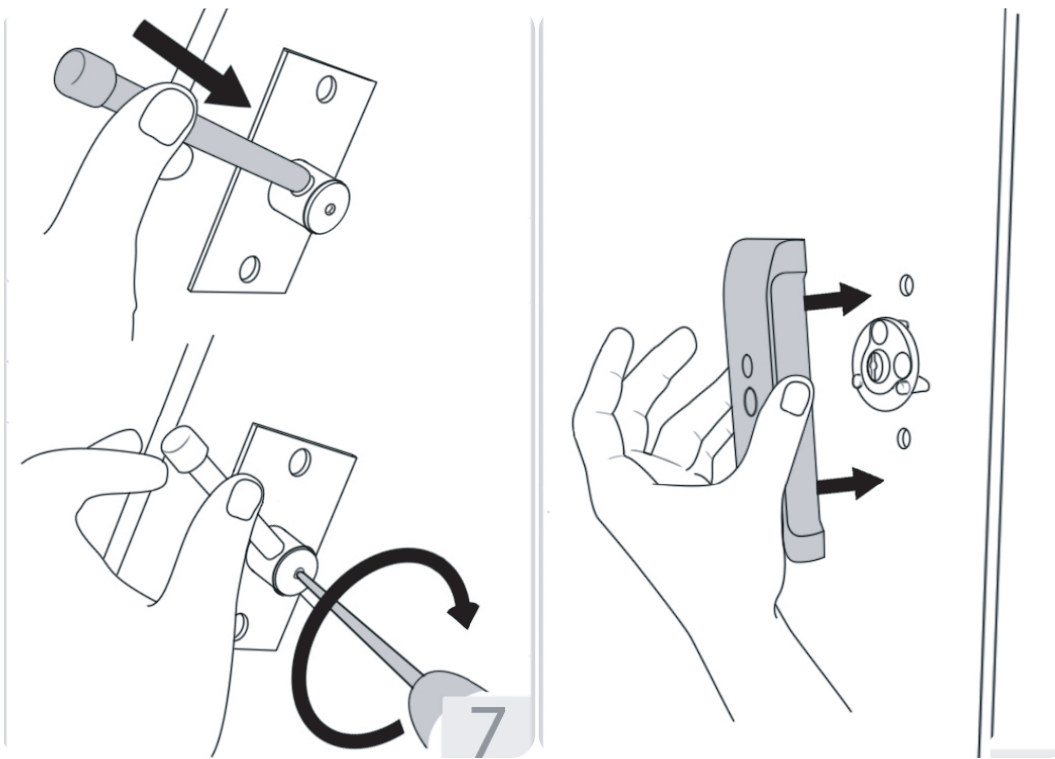
## STEP 30

+ ASSEMBLE SELECTED  
DOOR HARDWARE ON  
DOOR PANEL

# INSTALLATION INSTRUCTIONS

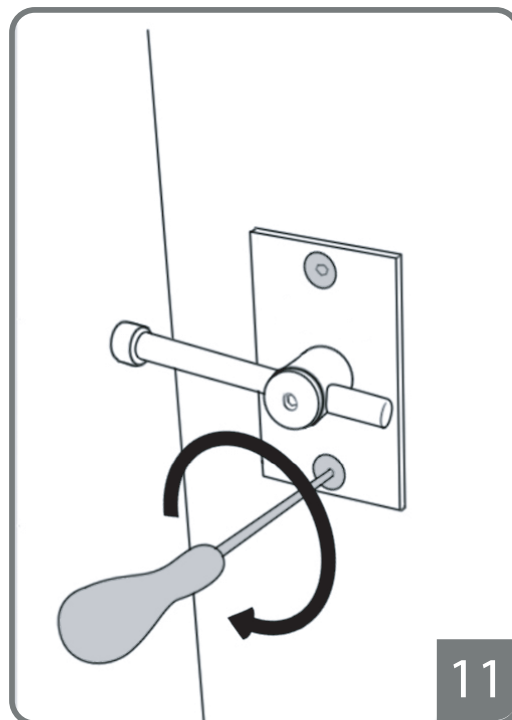
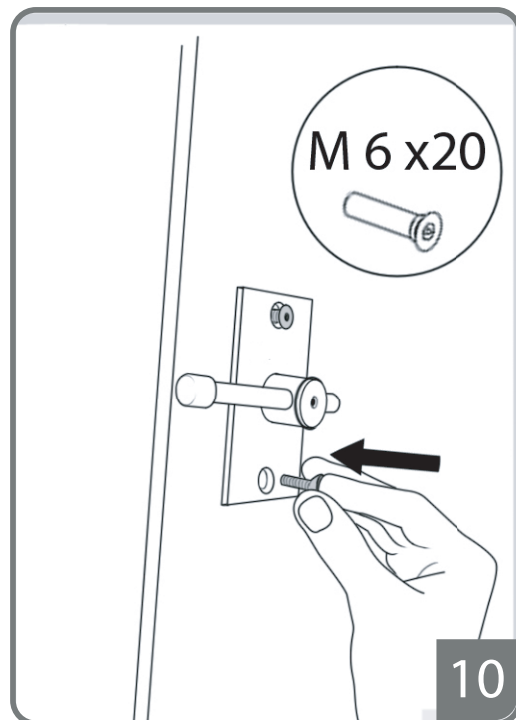
**NOTES**

Check all drawings



## STEP 31

+ ASSEMBLE SELECTED  
DOOR HARDWARE ON  
DOOR PANEL



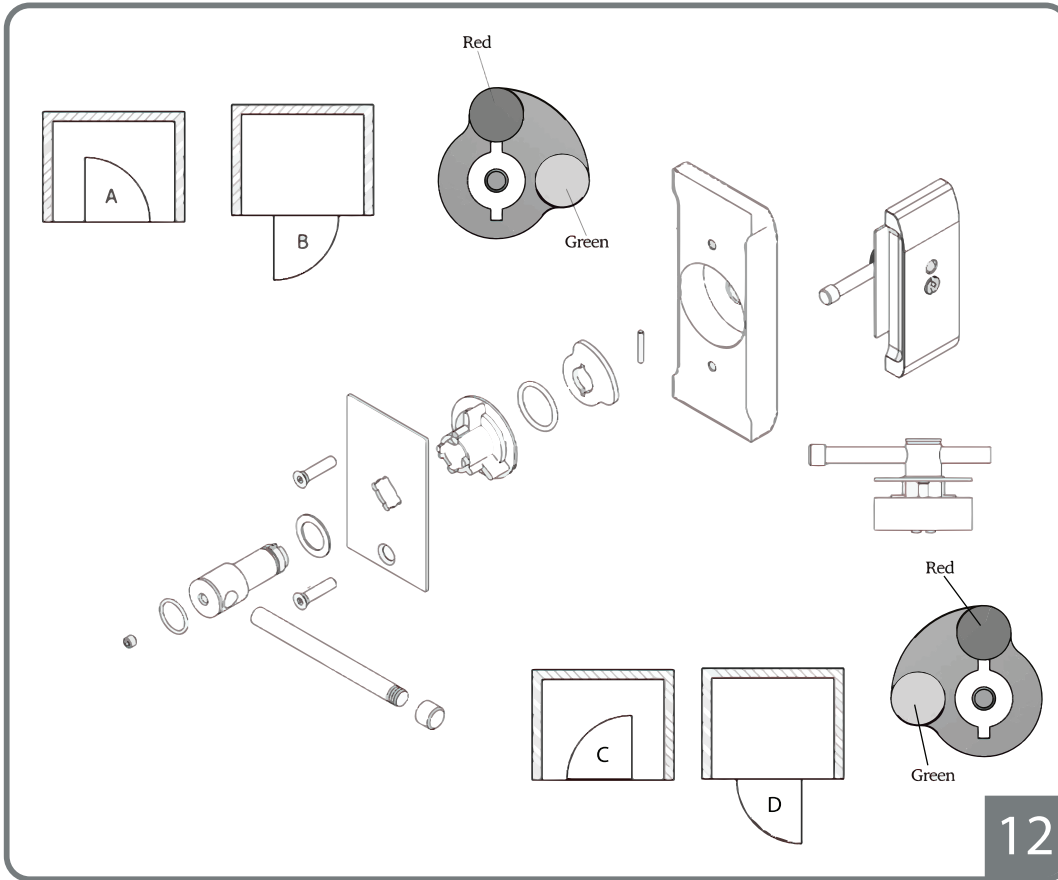
## STEP 32

+ ASSEMBLE SELECTED  
DOOR HARDWARE ON  
DOOR PANEL

# INSTALLATION INSTRUCTIONS

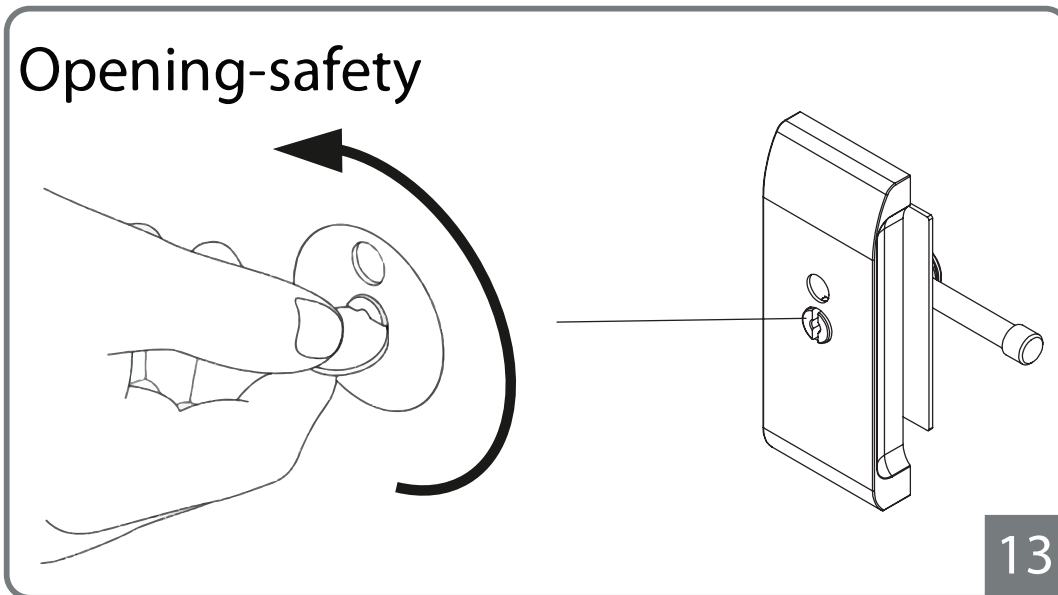
**NOTES**

Check all drawings



## STEP 33

+ ASSEMBLE SELECTED DOOR HARDWARE ON DOOR PANEL



## STEP 34

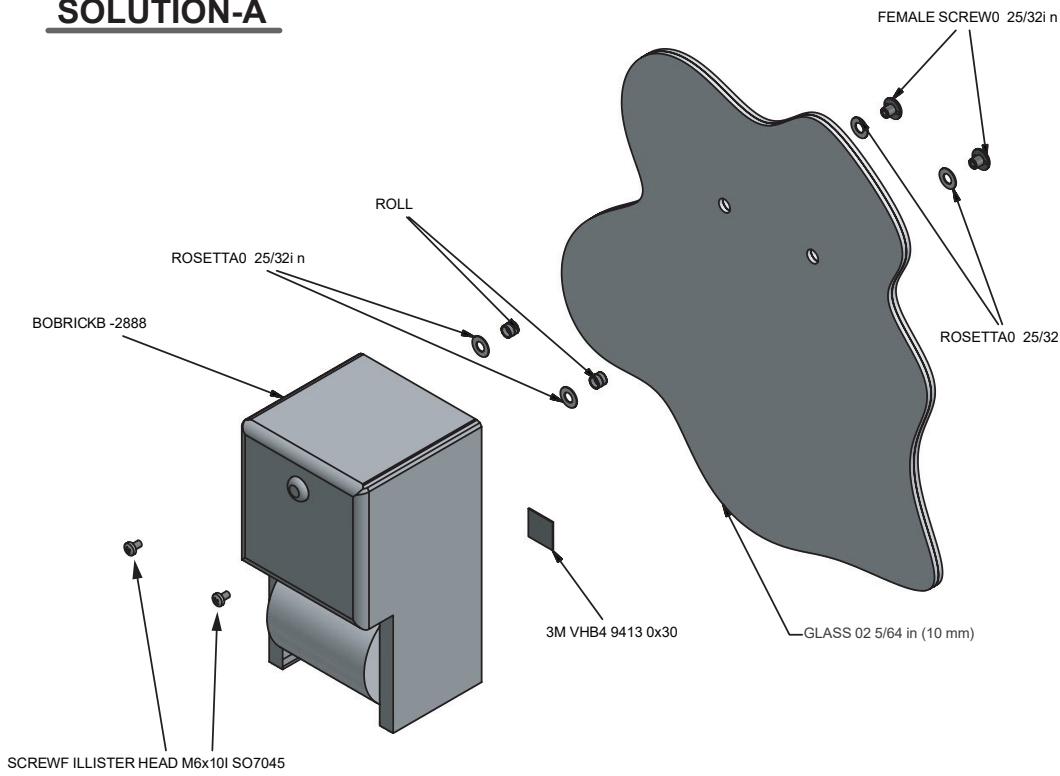
+ ASSEMBLE SELECTED DOOR HARDWARE ON DOOR PANEL

# PRE-APPROVED 3RD PARTY ACCESSORIES

**NOTES**

Check all drawings

## SOLUTION-A



## EXAMPLE 1

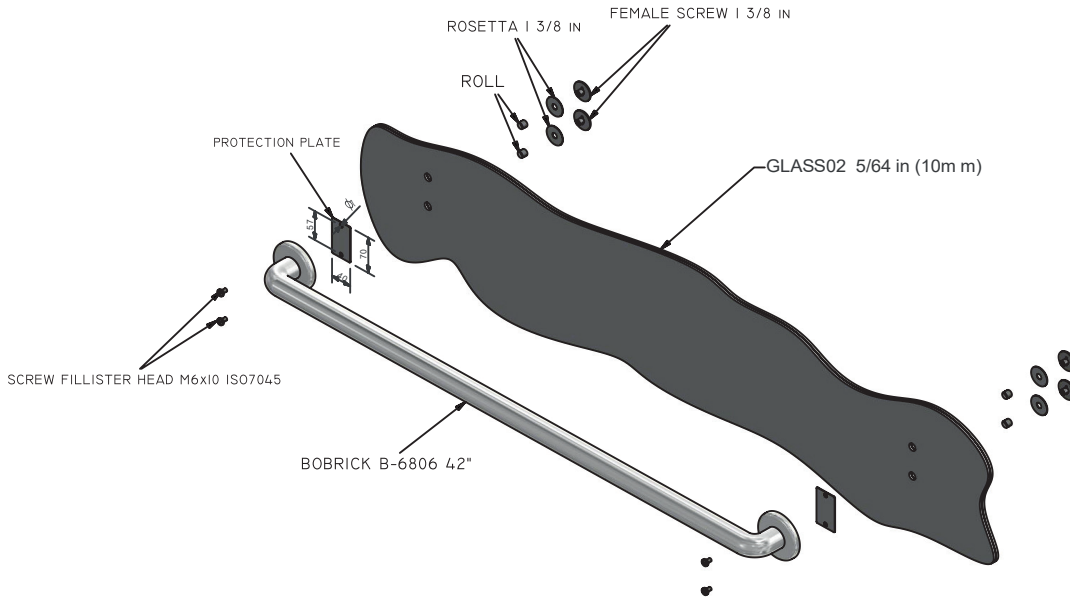
+ ASSEMBLE PRE-APPROVED 3RD PARTY ACCESSORY.

# PRE-APPROVED 3RD PARTY ACCESSORIES

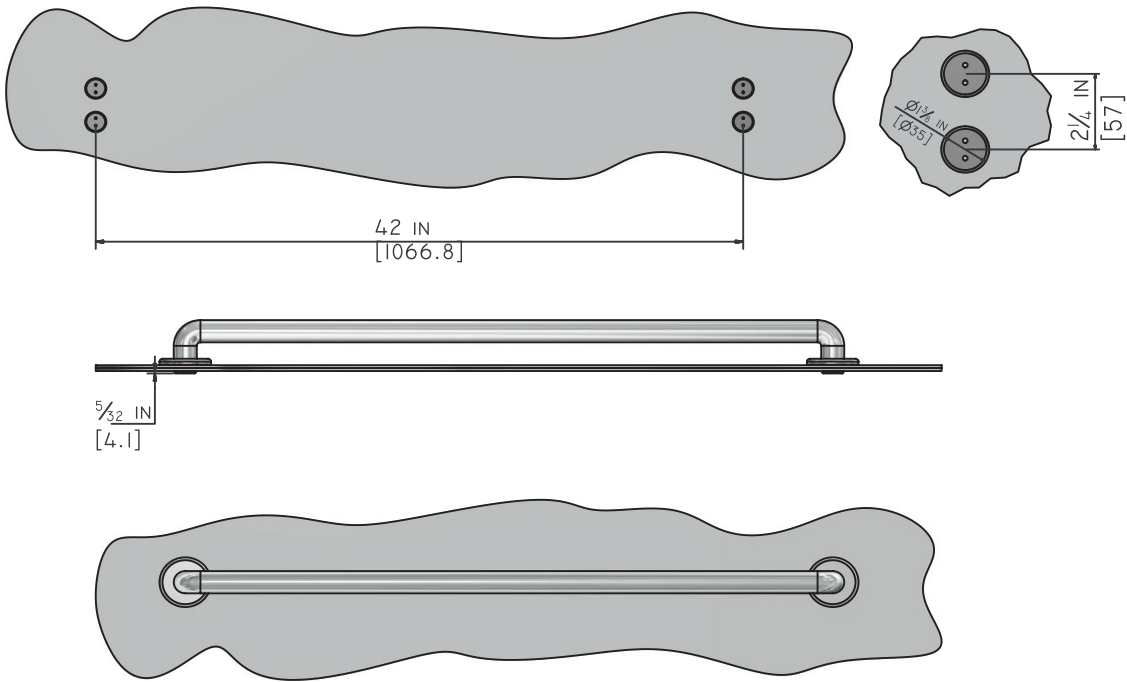
**NOTES**

Check all drawings

## GRAB-BAR SOLUTION



THEO PPOSITES IDEO FT HE DIVISION



COLOUR GLASS 21

## EXAMPLE 2

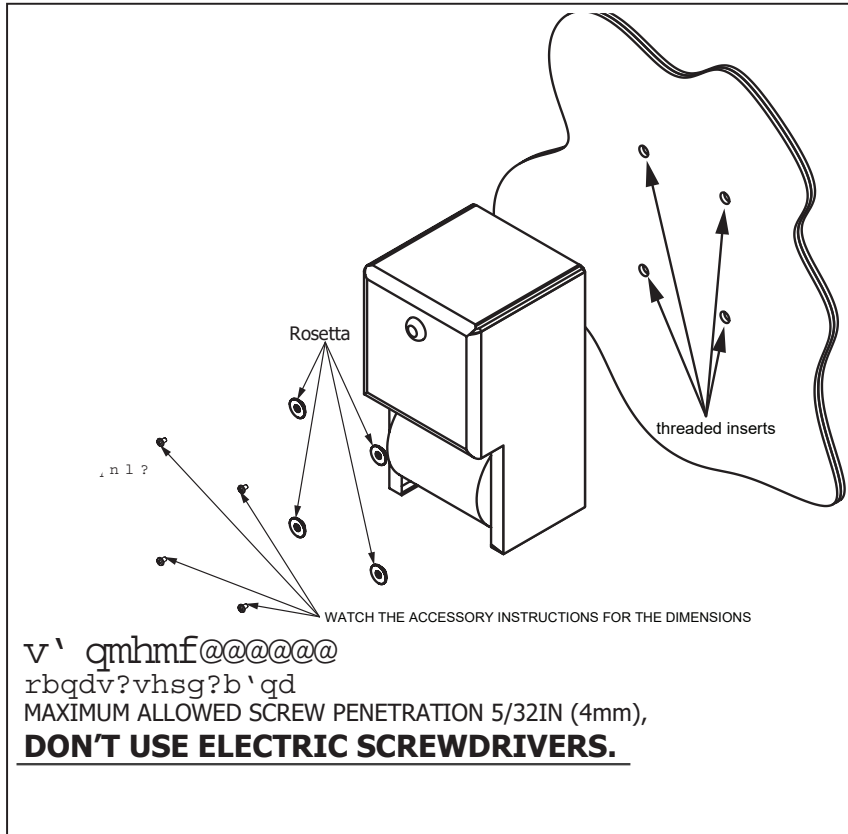
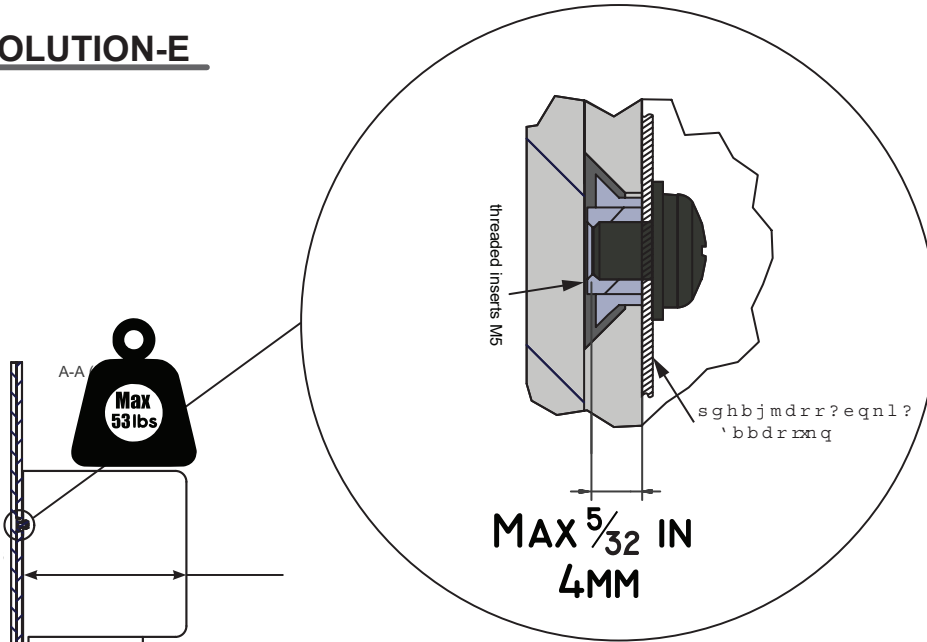
+ ASSEMBLE PRE-APPROVED 3RD PARTY ACCESSORY.

# PRE-APPROVED 3RD PARTY ACCESSORIES

## NOTES

Check all drawings

### SOLUTION-E



### EXAMPLE 3

+ ASSEMBLE PRE-APPROVED 3RD PARTY ACCESSORY.

COLOUR GLASS 2 0