

A row of lockers is shown, with a section of three red lockers on the right and a glass door on the far right. The lockers are supported by silver legs. The text 'glassLOCKERS > Concealed Hinge' is overlaid in white on the image.

glassLOCKERS *> Concealed Hinge*

CARVART's glassLOCKERS and chpLOCKERS come in a wide range of configurations to meet almost any facility's needs. The Compact High Pressure Phenolic Laminate (CHPL) body provides durability, while the 1/4" thick glass (or CHPL, optional) doors have the flexibility of opening up to 180 degrees. Anodized aluminum hinges are self-lubricating. Additionally, built-in slits ensure airflow for proper ventilation or drainage. Throughout the length of each door, profiles are equipped with rubber gaskets, acting as shock absorbers. With a large selection of colors, finishes, and configurations, CARVART's locker offering is perfect for virtually any setting.

Specifications

LOCKERS > glassLOCKERS > CONCEALED HINGE (GL-LCK-CH)

Designed to conceal all hardware and provide a clean, all-glass look, CARVART's glassLOCKERS > Concealed Hinge are built with a 1/2" laminated glass/chpl door, durable chpl body, anodized aluminum profiles, and self-lubricating hinges. CARVART's glassLOCKERS ensure a balance between durability and design. Available configurations are flexible, as they include single-, double- and triple-wide groupings, in conjunction with 1, 2, 3 and 4 tier options. Linear slits can be added to the bodies of the lockers to facilitate internal ventilation. Standard lockers include an adjustable base consisting of leveler legs, as well as an optional cHPL base.

VALUE-ADDED BENEFITS

- Multiple colors and finishes for doors and bodies
- Various lock options
- Durable cHPL and glass materials
- Easy to install
- Flexible configurations
- Turnkey project services

FACILITY DESIGN APPLICATIONS

Lockers for athletic, healthcare, corporate facilities.

CONFIGURATIONS

Single-, double- and triple-wide groupings. 1, 2, 3, 4 and 6 tier options.

FUNCTION

Doors open to 100 degrees (includes door stop). Individual locks per locker compartment.

GLASS TYPES

Tempered Monolithic laminated on cHPL backer.

GLASS DOOR FINISHES —

Refer to Finish Chart

SURFACES

Smooth glass.
Etched glass.

GLASS THICKNESS @ door —

Refer to local code and structural requirements
1/4" Nominal front (laminated to 1/4" cHPL backer; 1/4" nominal overall).

HARDWARE DIMENSIONS

No hardware at front.

Concealed vertical extrusions: 1-3/4" x 1-3/8"

HARDWARE MATERIALS/FINISHES —

Refer to Finish Chart

Satin Anodized Aluminum.

WIDTHS (inches):

Base —Shared common	Up to 116
2-Unit wide lockers	31-1/2
3-Unit wide lockers	47-1/4
Interior shelves	14-7/8

HEIGHTS (inches): Tall version Short version

Overall	73-1/4	37-3/4
Base	2-3/8	2-3/8
1-Door	70-5/8	35-3/16
2-Door	35-3/16	17-3/4
3-Door	23-9/16	N.A.
4-Door	17-3/4	N.A.

DEPTHS (inches):

Overall	19-13/16
Internal shelves	18

MOUNTING FASTENERS

Cases bolt together through side panels and secure to wall with recommended bracket. Final anchoring decision is client-directed or based on client structural consultant. Mounting fasteners and anchors to be supplied by others. CARVART advisory available.

ADD-ON DESIGN OPTIONS —

Per specification and upcharges apply

Lock options.
Numeric face plates.
Ventilation holes in back and bottom panels.
Internal coat hooks, hat shelf, shoe shelf.

CUSTOMIZATION

Special sizes or finishes available upon request.

INSTALLATION

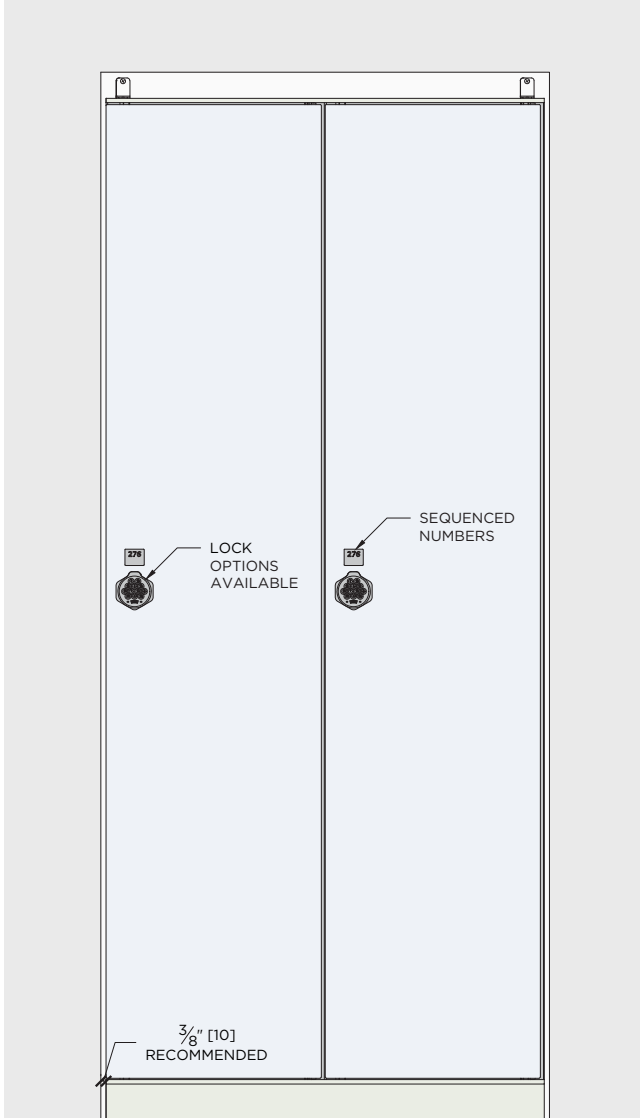
Ships flat. Assembly required by trained installers. Lockers must be secured to a hard wall. Installation instructions, assistance and training available at time of order.

HARDWARE WARRANTY —

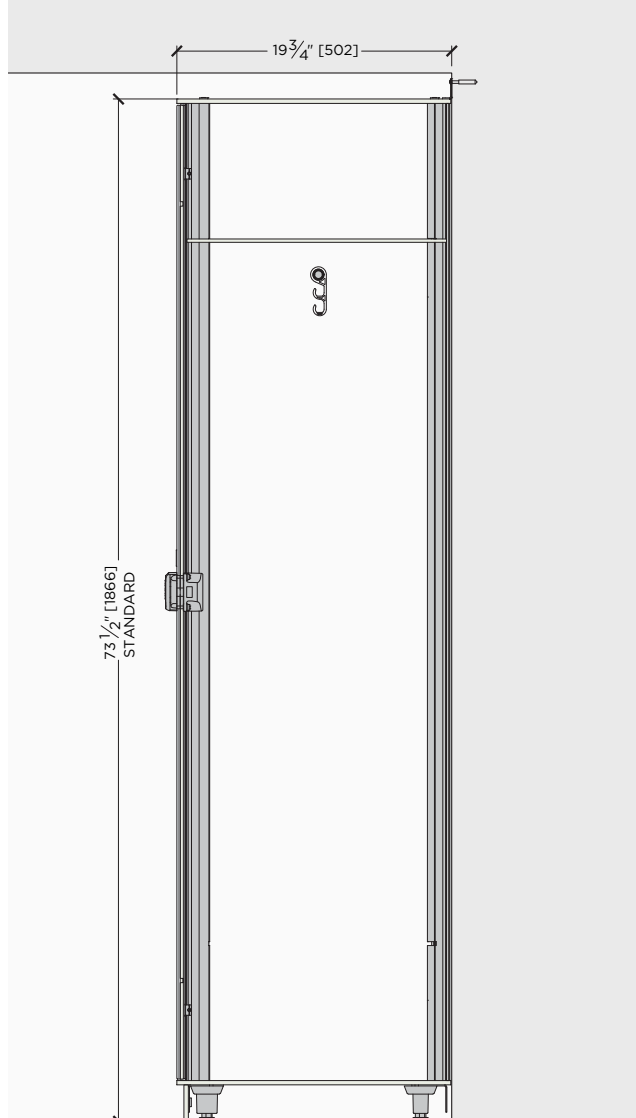
2-year limited warranty.

For more info, contact CARVART Sales Advisory Team at quotes@carvart.com or call us at 212 675 0030.

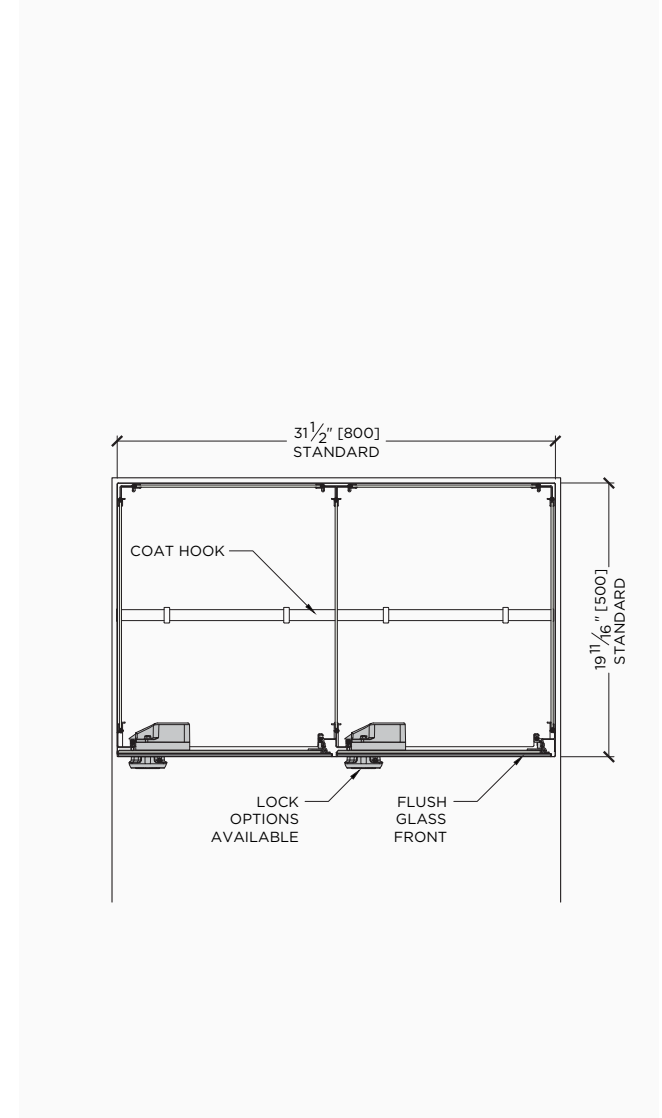
glassLOCKERS > Concealed Hinge



TYPICAL ELEVATION

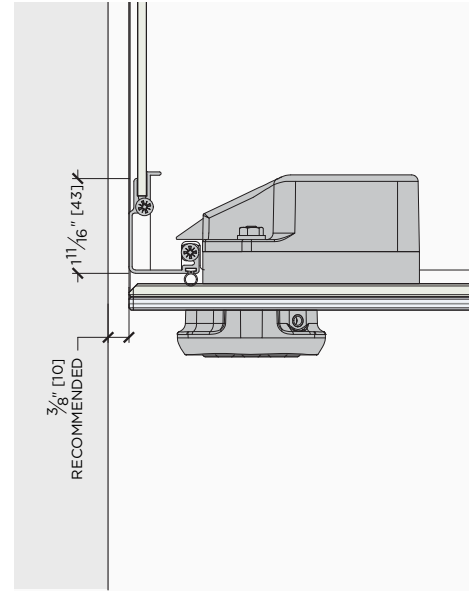
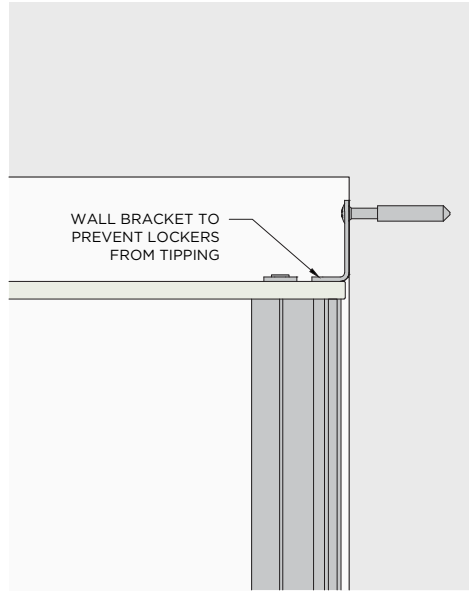
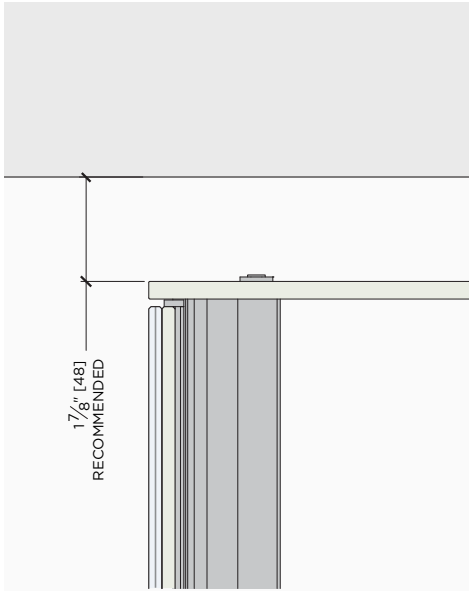


TYPICAL VERTICAL SECTION

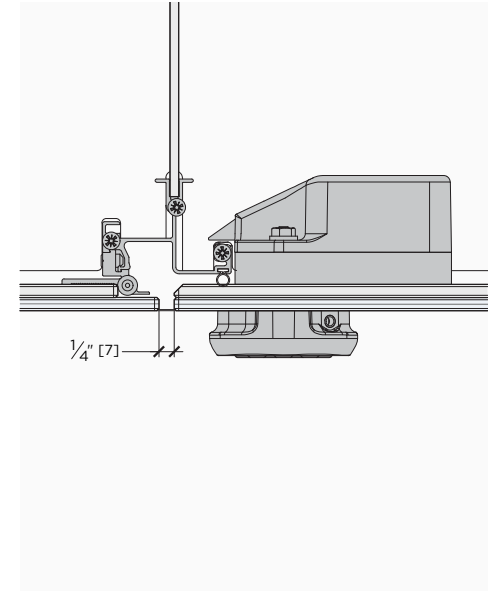


HORIZONTAL SECTION

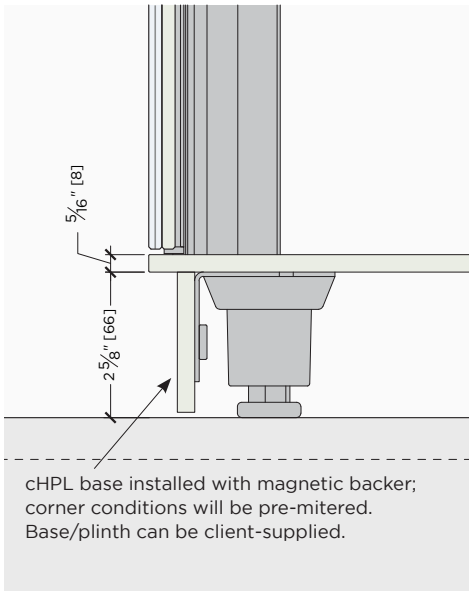
glassLOCKERS > Concealed Hinge



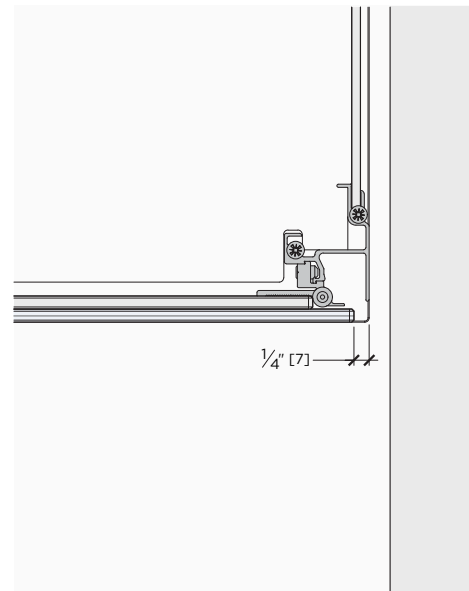
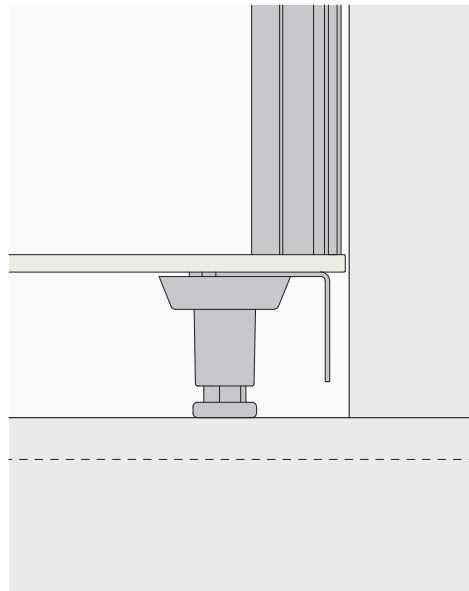
HORIZONTAL DETAIL @ OUTSIDE STRIKE



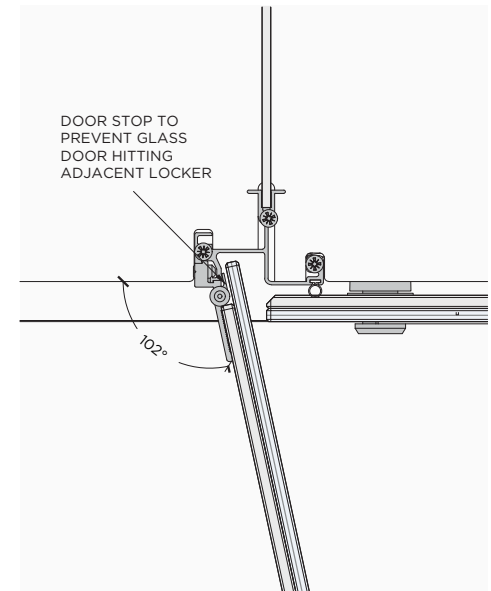
HORIZONTAL DETAIL @ CENTER STRIKE



VERTICAL SECTION

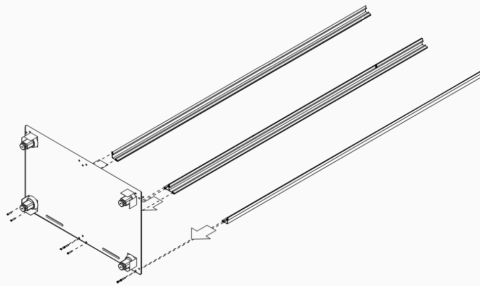


HORIZONTAL DETAIL @ OUTSIDE HINGE



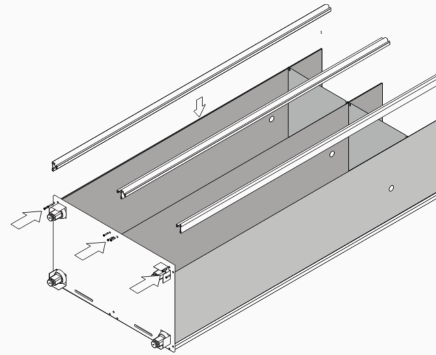
OPEN LOCKER WITH DOOR STOP

Ease of installation



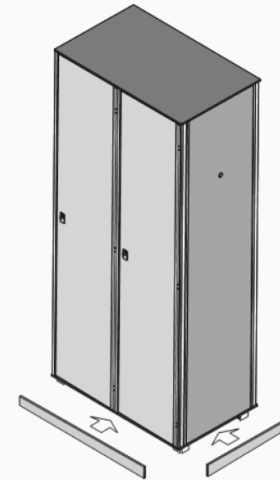
PRE-CUT COMPONENTS

The extrusions and scratch-resistant panels are pre-cut with smoothed edges and rounded angles, allowing easy install and handling.



PRE-MACHINED

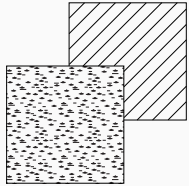
All locker components come with pre-machined holes for fasteners and extrusions. Doors come with fully adjustable, self-lubricating hinges that are integrated into the vertical profiles.



LIGHTWEIGHT AND ERGONOMIC

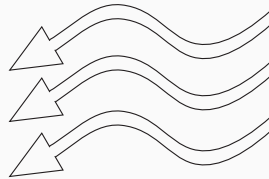
The bodies are composed of chPL material which is durable yet lightweight, making them easy to handle.

Hygiene and Maintenance



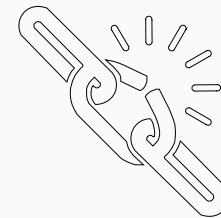
NON-POROUS MATERIALS

CARVART's chpLOCKERS and glassLOCKERS are made of inherently hygienic materials that are non-porous and, therefore, rarely collect bacteria. This makes them ideal for healthcare and gym facilities or any other settings where this could be a concern.



EASY VENTILATION

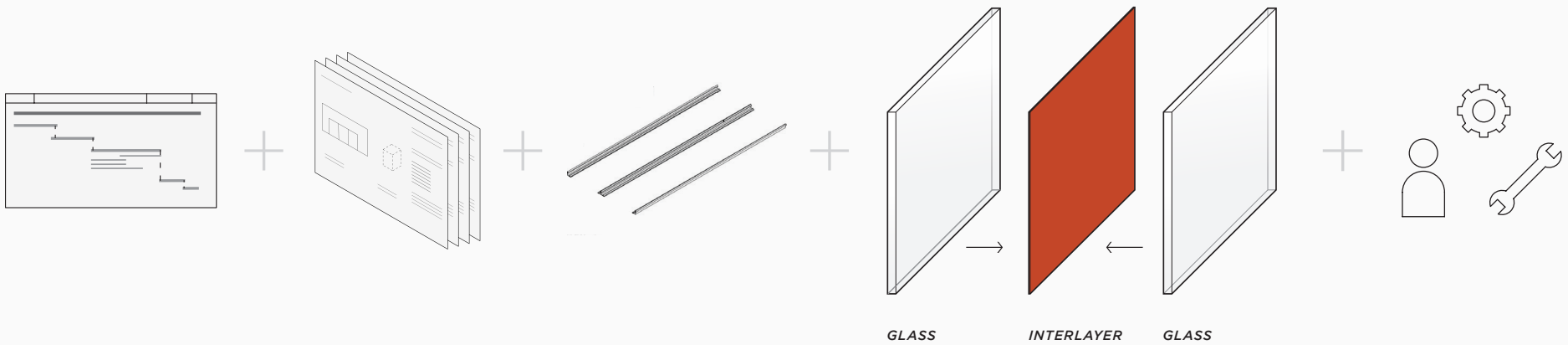
The option to incorporate built-in slits ensures airflow for proper ventilation or drainage.



DURABILITY

The high-quality, anodized metal components ensure durability over time with standard maintenance.

Turnkey solutions



COORDINATION AND SHOP DRAWINGS

CARVART's dedicated project management team offers full coordination services to ensure timely delivery for each project.

Detailed shop drawings are available to facilitate trade and construction coordination.

HARDWARE

Provide full range of hardware options for infinite design and site conditions. Multiple design options.

GLASS DESIGN AND DEVELOPMENT

Architects can work closely with CARVART designers to choose from a unique set of glass products to accommodate any project.

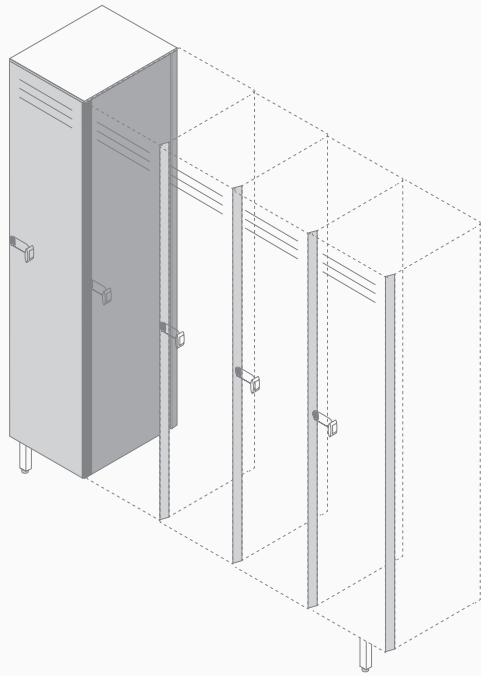
TAILORED DIMENSIONS

Combining a wide range of hardware and glass products with custom sizing, CARVART has a solution for virtually any project's design, structural or performance needs.

WARRANTY AND POST-DELIVERY SERVICES

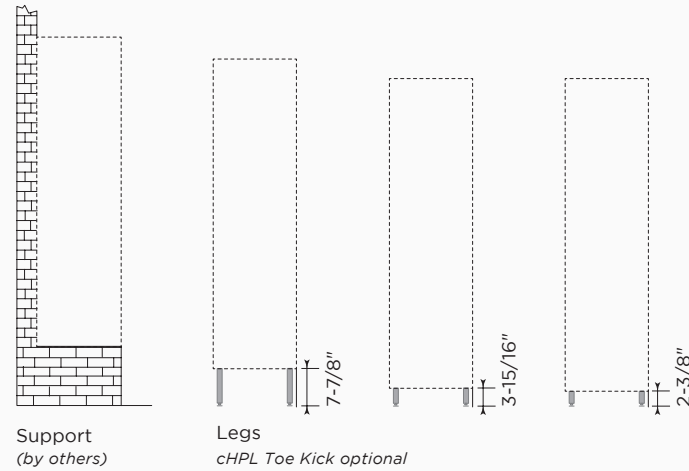
Post-delivery, installation guidance, facility maintenance, training and product replacement are all available through CARVART.

Configurations



CONFIGURATION IN COLUMNS

A series of lockers can consist of an “unlimited” number of columns. The total length of a series of lockers is given by the sum of the width of each column plus 7/16” to be added at the beginning and at the end of the series.

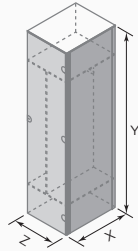


LOCKER SUPPORTS

The different combinations of lockers can be supplied either with no support at all or standing on:

- 2-3/8” legs (standard)
- 3-15/16” legs
- 7-7/8” legs

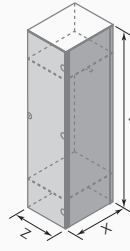
Configurations



TYPE A

Single-tier locker with clean/dirty compartments. Fitted out with hanging rod and 2 clothes hooks.

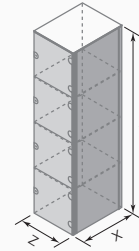
	A1	A2	A3	A4
X	19-11/16"	19-11/16"	19-11/16"	19-11/16"
Y	63"	70-7/8"	63"	70-7/8"
Z	11-13/16"	11-13/16"	15-3/4"	15-3/4"



TYPE E

Single-tier locker fitted out with hanging rod and clothes hook.

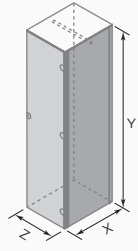
	E1	E2	E3	E4
X	19-11/16"	19-11/16"	19-11/16"	19-11/16"
Y	63"	70-7/8"	63"	70-7/8"
Z	11-13/16"	11-13/16"	15-3/4"	15-3/4"



TYPE I

Four-tier locker with 4 doors.

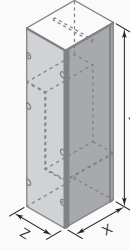
	I1	I2	I3	I4
X	19-11/16"	19-11/16"	19-11/16"	19-11/16"
Y	63"	70-7/8"	63"	70-7/8"
Z	11-13/16"	11-13/16"	15-3/4"	15-3/4"



TYPE B

Single-tier locker fitted out with hanging rod and clothes hook.

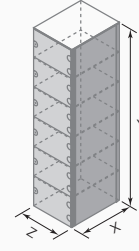
	B1	B2	B3	B4
X	19-11/16"	19-11/16"	19-11/16"	19-11/16"
Y	63"	70-7/8"	63"	70-7/8"
Z	11-13/16"	11-13/16"	15-3/4"	15-3/4"



TYPE F

Z Lockers fitted out with 2 hanging rods and 2 clothes hooks. Available with cHPL doors only.

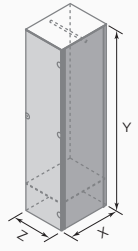
	F1	F2	F3	F4
X	19-11/16"	19-11/16"	19-11/16"	19-11/16"
Y	63"	70-7/8"	63"	70-7/8"
Z	11-13/16"	11-13/16"	15-3/4"	15-3/4"



TYPE L

Six-tier locker with 6 doors.

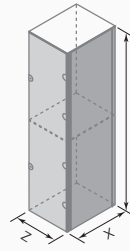
	L1	L2	L3	L4
X	19-11/16"	19-11/16"	19-11/16"	19-11/16"
Y	63"	70-7/8"	63"	70-7/8"
Z	11-13/16"	11-13/16"	15-3/4"	15-3/4"



TYPE C

Single-tier locker fitted out with shoe rack, hanging rod and clothes hook.

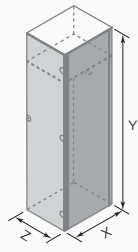
	C1	C2	C3	C4
X	19-11/16"	19-11/16"	19-11/16"	19-11/16"
Y	63"	70-7/8"	63"	70-7/8"
Z	11-13/16"	11-13/16"	15-3/4"	15-3/4"



TYPE G

Double-tier locker fitted out with 2 separate doors, 2 hanging rods and 2 clothes hooks.

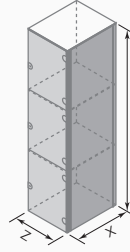
	G1	G2	G3	G4
X	19-11/16"	19-11/16"	19-11/16"	19-11/16"
Y	63"	70-7/8"	63"	70-7/8"
Z	11-13/16"	11-13/16"	15-3/4"	15-3/4"



TYPE D

Single-tier locker fitted out with shelf, hanging rod and clothes hook.

	D1	D2	D3	D4
X	19-11/16"	19-11/16"	19-11/16"	19-11/16"
Y	63"	70-7/8"	63"	70-7/8"
Z	11-13/16"	11-13/16"	15-3/4"	15-3/4"

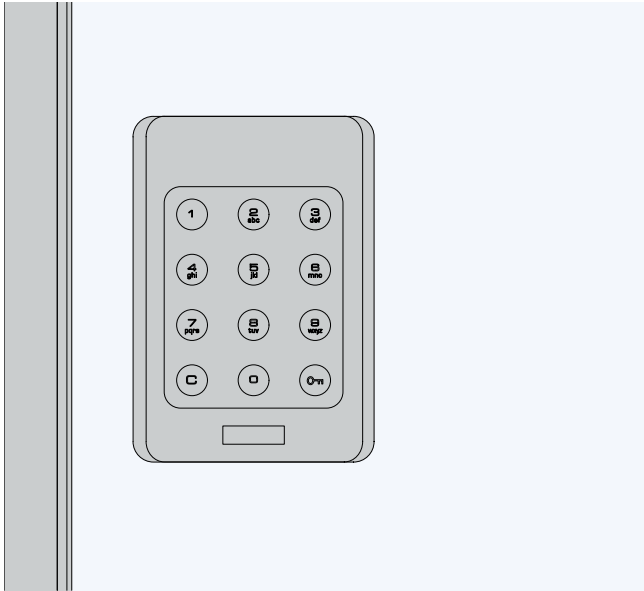


TYPE H

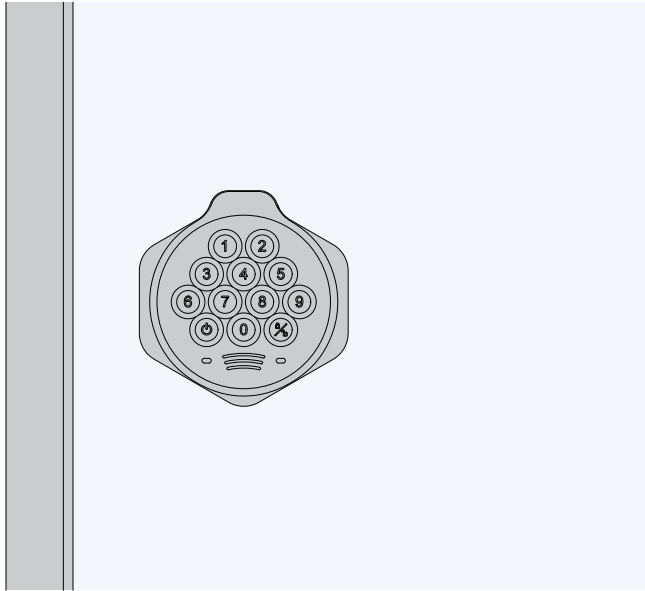
Three-tier locker with 3 doors.

	H1	H2	H3	H4
X	19-11/16"	19-11/16"	19-11/16"	19-11/16"
Y	63"	70-7/8"	63"	70-7/8"
Z	11-13/16"	11-13/16"	15-3/4"	15-3/4"

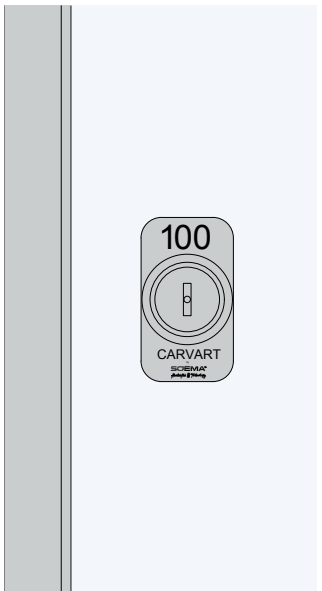
Options: Locks



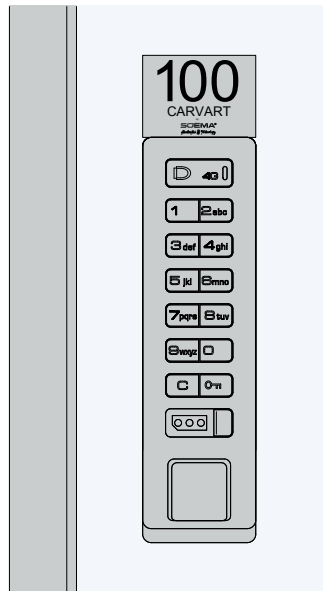
OJMAR LOCK



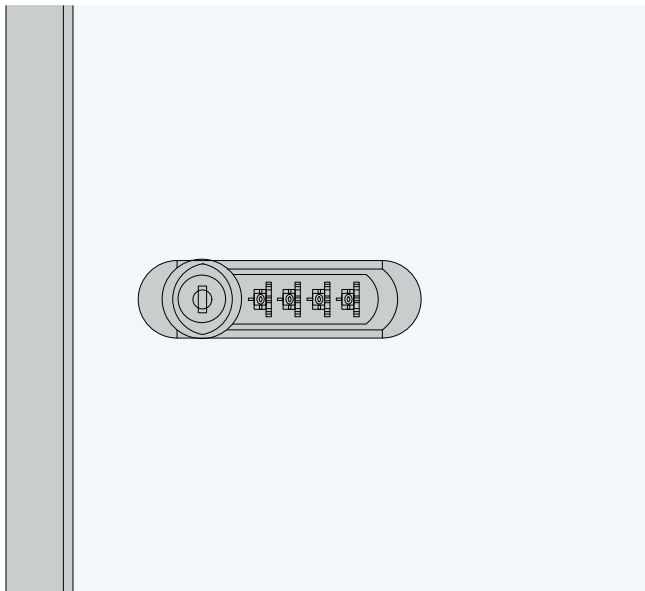
RFID/DIGITAL COMBINATION ZEPHYR LOCK



STANDARD KEY LOCK



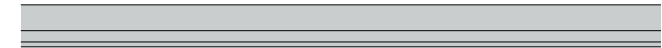
DIGILOCK



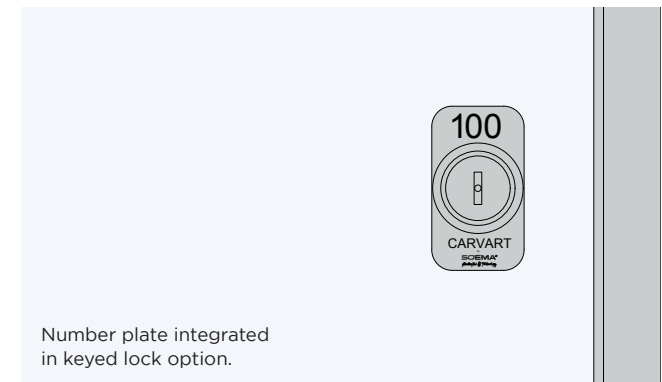
COMBINATION LOCK

With a variety of lock options, CARVART offers several solutions to meet aesthetic, function and budget needs. Digital options include keypad and two price points, while the mechanical options are more minimal yet still easy to operate as a user and from a facility manager standpoint.

NUMBER PLATE OPTIONS



Sticker number plate with heavy-duty adhesive (placed at center/top of door or directly above lock (Digilock option only).



Number plate integrated in keyed lock option.

Options: Surfaces

Glass is available in both Smooth finish, when a high-gloss reflective look is desired, or an Etch finish which is non-reflective and minimizes fingerprints.

CHPL is available in a Smooth and Textured finish.



Smooth glass



Etch glass

COLORS

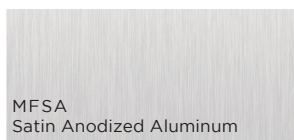
Glass



CHPL



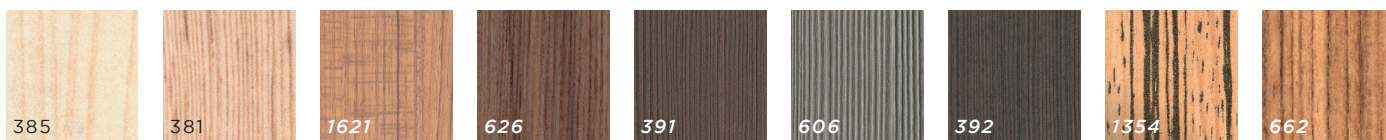
Hardware



MATERIALS

CHPL Wood

Classic
"woodgrains"



CARVART®

BY

SOEMA®

Handcrafted  Technology