

# glassHINGE > Framed Double



**CARVART's glassDOOR offering includes a broad range of design options to choose from. By combining glass (colors and finishes), function (swing) and aesthetic (from minimalist and exposed to more concealed and private), customers can design and create truly unique spaces.**

**Dimensioned to custom-fit each project, CARVART's glassDOOR is also engineered to install efficiently. The solutions have versatile designs as well as application, catering to both architect and client specifications. With high-quality performance and durability, CARVART's glassDOOR is perfect for any space.**

# Specifications

## glassHINGE > FRAMED DOUBLE (HINDR-2FD)

Two overlaid glass panels, hinged and free swinging. Fully framed by aluminum profiles and closing with a door jamb, this system provides the highest acoustical isolation.

## VALUE-ADDED BENEFITS

- Easy installation: pre-assembled door panel
- Efficient operation: simple hardware design
- Minimal aluminum frame
- High acoustical isolation
- System durability and long-term integrity
- Turnkey integrated project services

### FACILITY DESIGN APPLICATIONS

Space division between offices, conference rooms or flex-space, bathrooms.

### CONFIGURATIONS

Single leaf.

### FUNCTION

Swinging hinged door.

### GLASS TYPES

Tempered monolithic.  
Tempered laminated.

**GLASS FINISHES** — Refer to Finish Chart  
**CARVART laminated transparent glass design options available:** 01 Core, 02 Color, 03 Pattern, 04 Metallic, 05 Textile, 08 Gradient and 10 Covert.

### SURFACES

Smooth glass.  
Etched glass.

### GLASS THICKNESS —

Refer to local code and structural requirements  
Accommodates 1/4" nominal.

### HARDWARE DIMENSIONS

**Aluminum top track:**  
2-3/4" wide x 3" high nominal.  
**Top/Bottom finish rails:** 1-3/4" deep x 4-7/16" wide.  
**Vertical side rails:** 5/8" individually or double 1-11/16" deep x 1-5/8" wide.

### HARDWARE MATERIALS/FINISHES —

Refer to Finish Chart  
Satin anodized aluminum, polished aluminum, blackened aluminum. black, white, grey, midnight, charcoal, light grey, warm grey, champagne, terra cotta.

### WIDTHS — OVERALL MINIMUM/

**MAXIMUM RANGE (inches):**  
**Glass panels:** Minimum 29". Maximum 48".

### HEIGHTS — OVERALL MINIMUM/

**MAXIMUM RANGE (inches):**  
**Glass panels:** Minimum 30" height.  
Maximum 108" height above finished floors.

### MOUNTING FASTENERS

Final anchoring decision is client-directed or based on client structural consultant.  
Mounting fasteners and anchors to be supplied by others.  
CARVART advisory and coordination available.

### WEIGHT & STRUCTURAL LOADS —

Consult local engineer for structural codes and requirements  
Hinges for individual panels rated up to 220 lbs.  
Linear per foot weights based on final glass type.  
Overall weights available upon request for client structural calculations.  
Refer to CARVART for technical consultation.

### ADD-ON DESIGN OPTIONS —

Per specification and upcharges apply  
Various pull options.  
Various plastic/brush connection details for increased privacy.  
Top-structure available on request and for additional cost.  
Lockable/Non-locking floor latch bolts available.

### CUSTOMIZATION

Custom dimensions per opening.

### INSTALLATION

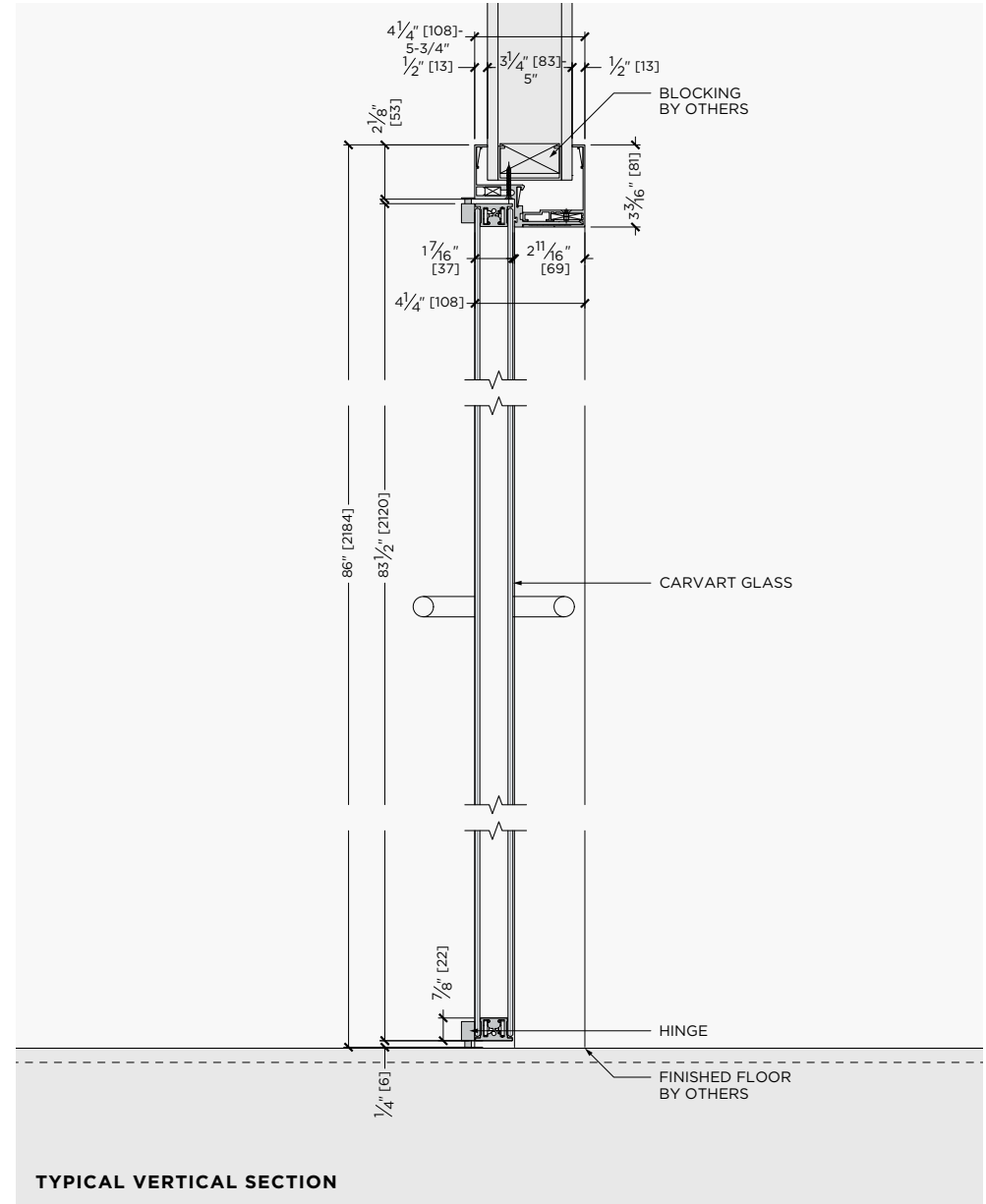
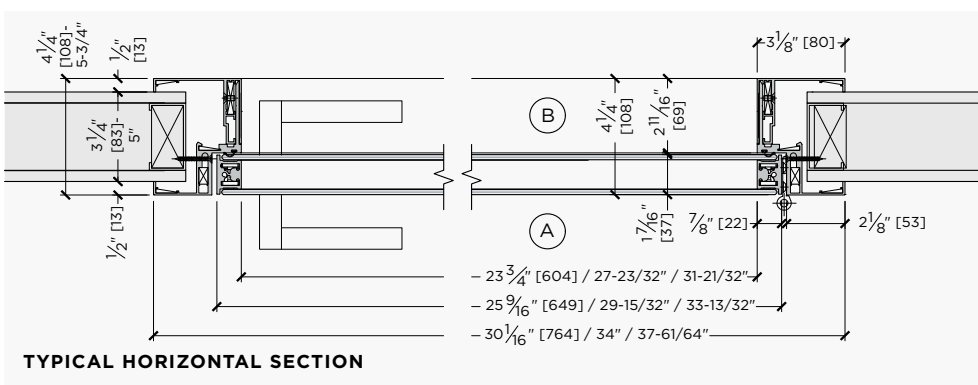
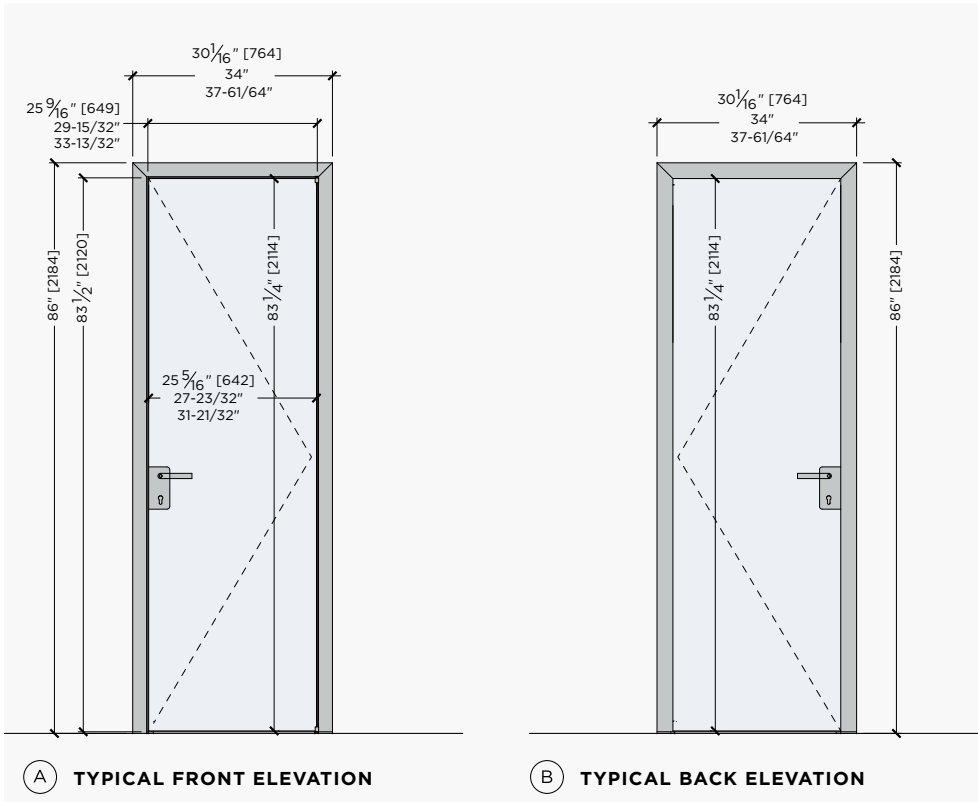
Top-track includes seam connectors for improved alignment.  
Requires trained and competent glazing or carpenter industry professionals.  
Installation instructions, assistance and training available at time of order.

### HARDWARE WARRANTY —

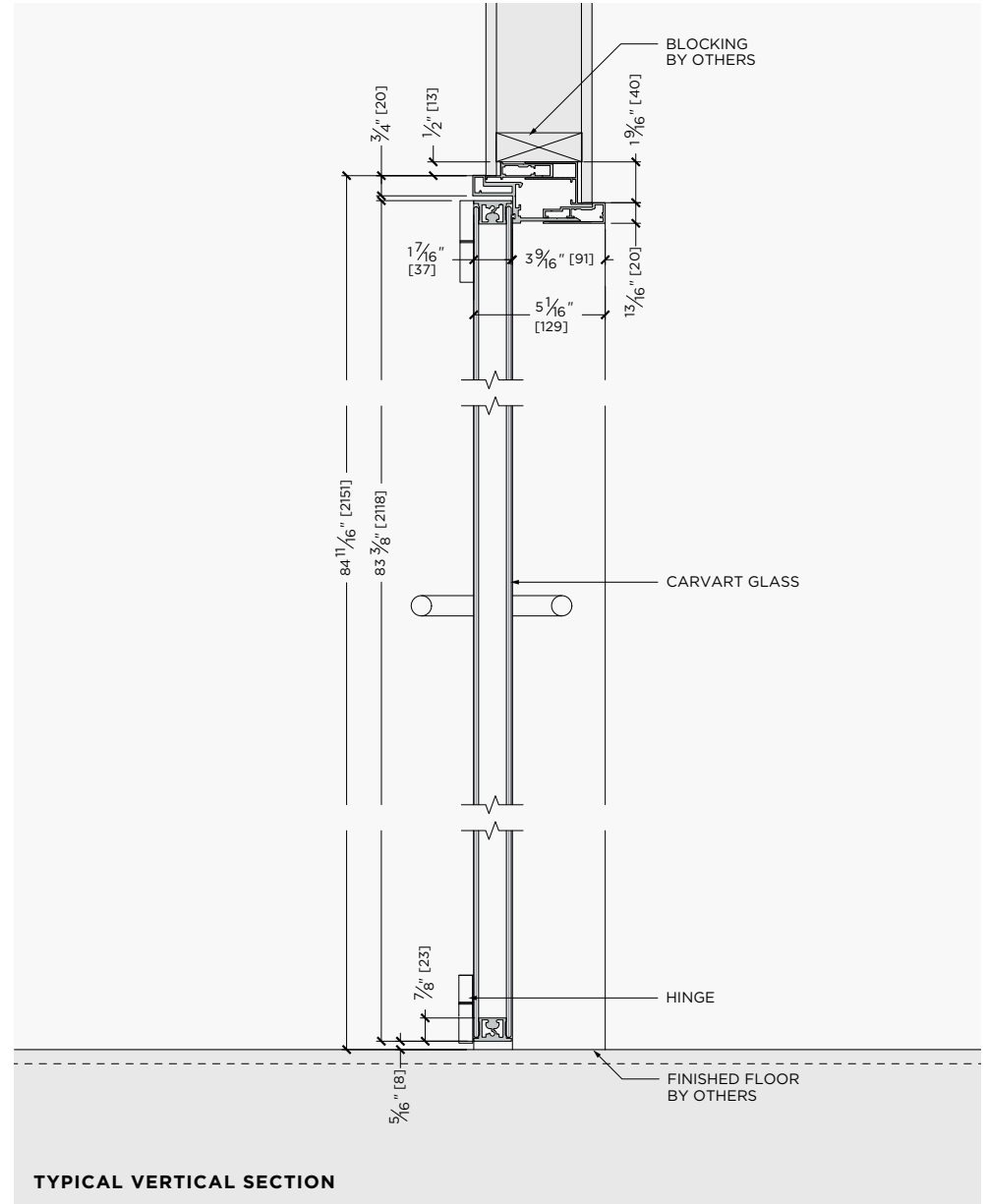
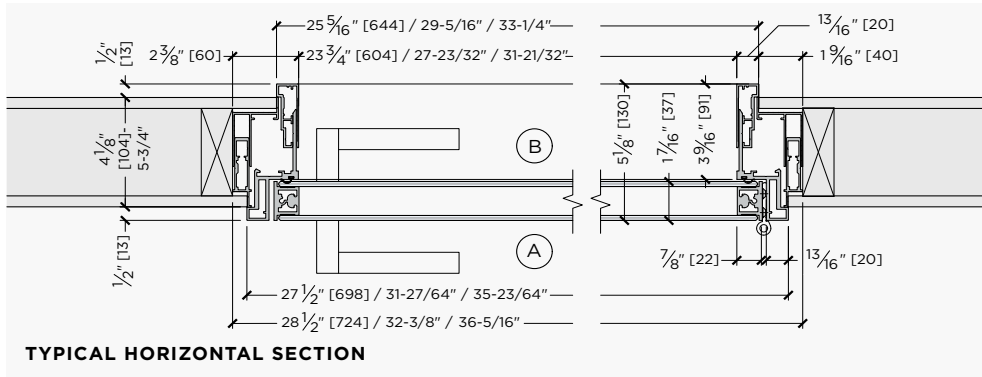
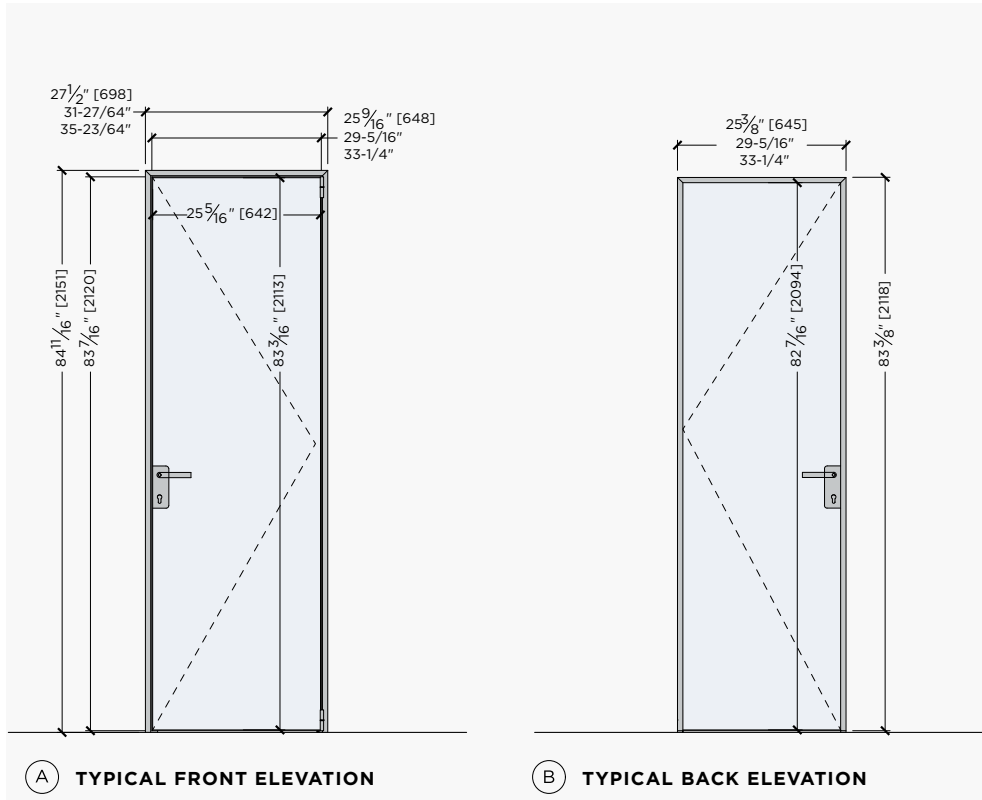
5-year limited warranty.

For more info, contact CARVART Sales Advisory Team at [quotes@carvart.com](mailto:quotes@carvart.com) or call us at 212 675 0030.

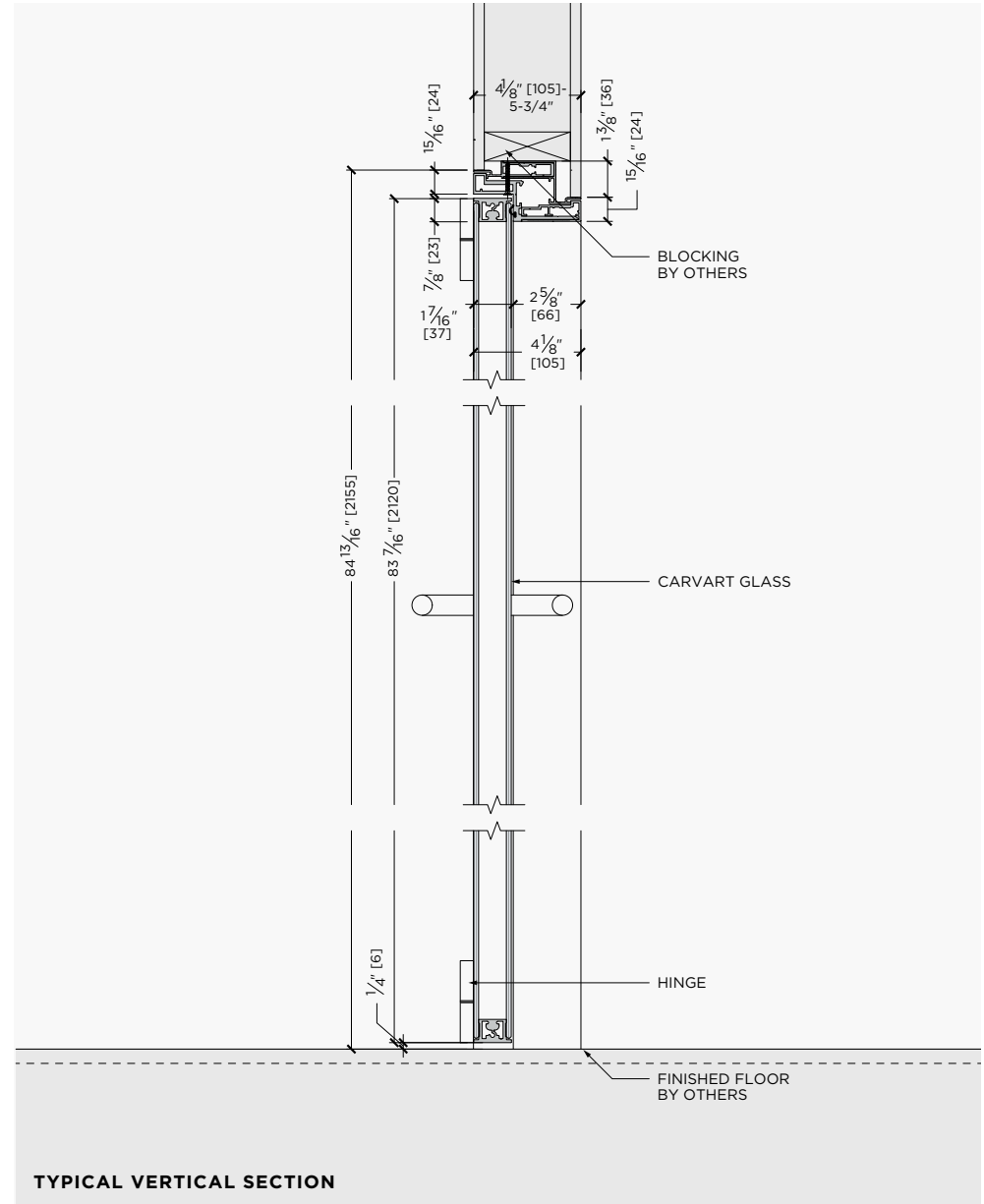
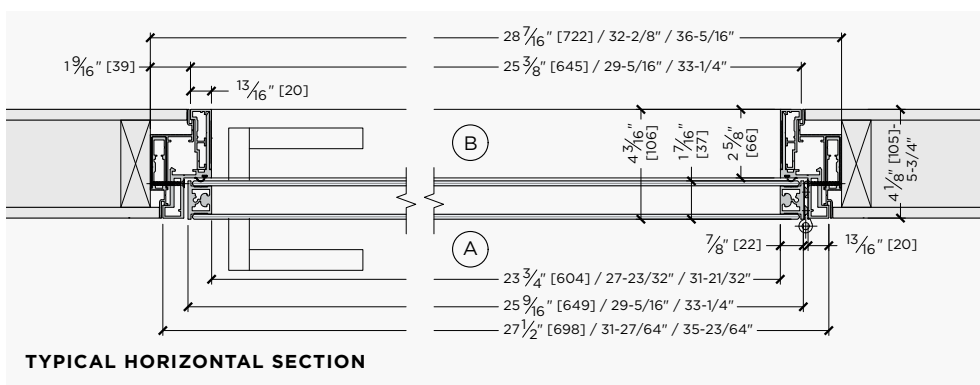
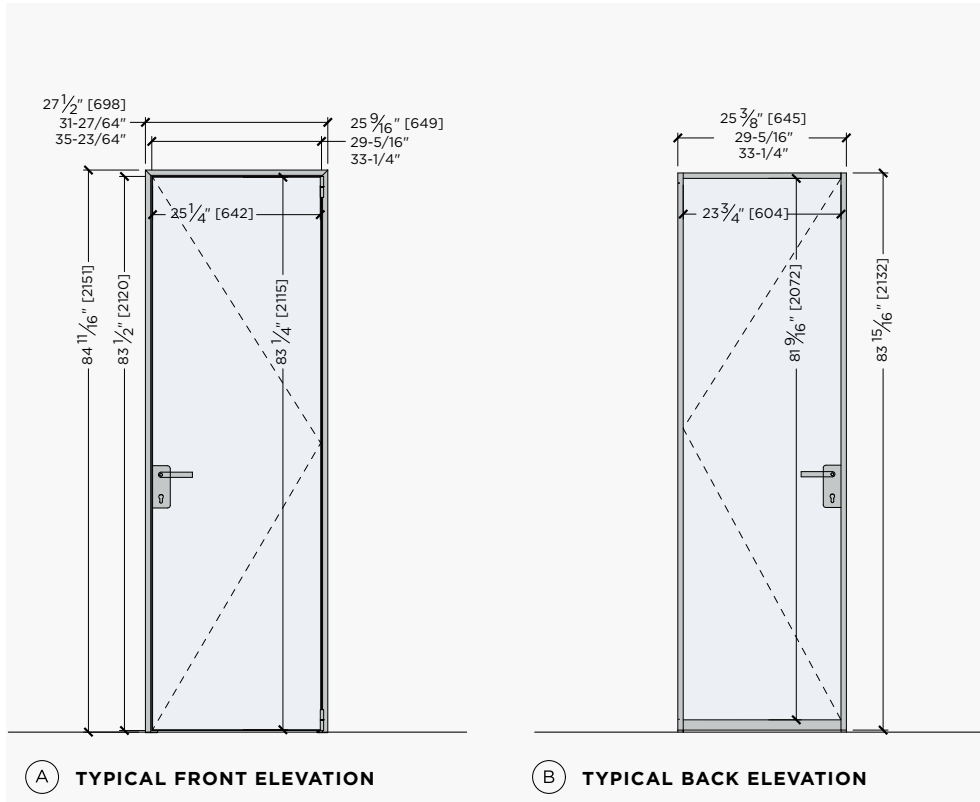
# Details: glassHINGE> Framed Double> Cover D



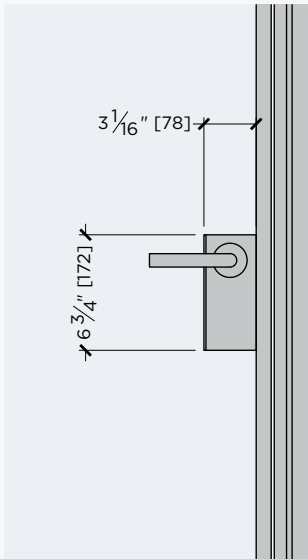
# Details: glassHINGE> Framed Double> Step D



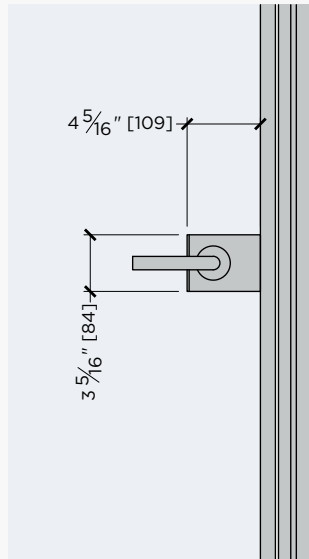
# Details: glassHINGE> Framed Double> Flat D



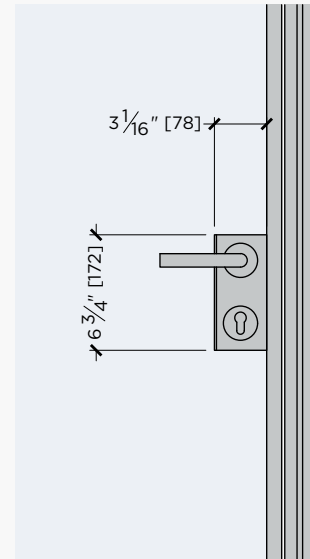
## Options: Closers



NON-LOCKING/  
FIXED LEVER

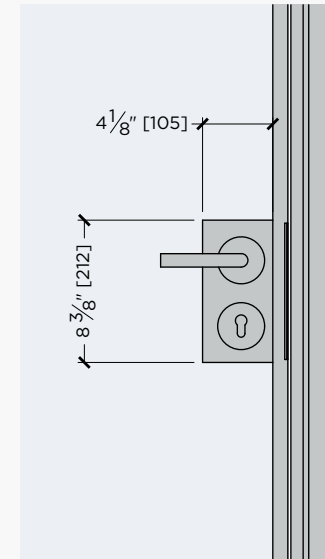


FIXED/DUMMY LEVER



EURO LOCK

- Key/Thumb    • Indicator/Thumb
- Key/Key     • No Lock



US LOCK/INTERCHANGEABLE

- Key/Thumb    • Indicator/Thumb
- Key/Key     • No Lock

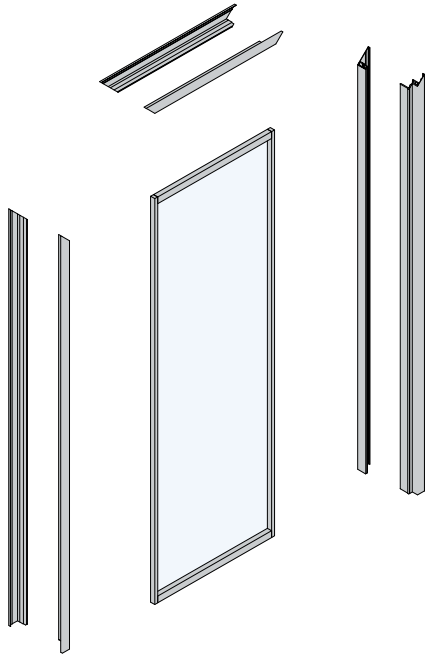
## Design appeal and detailing

- All profiles and hardware are specifically engineered to keep sight lines and design aesthetic minimal
- Aluminum fascias conceal all clamping and hardware, available in various finishes
- Lightweight and optimized hardware solutions keep system efficient and easy to operate
- Create unique appearance with CARVART glass options



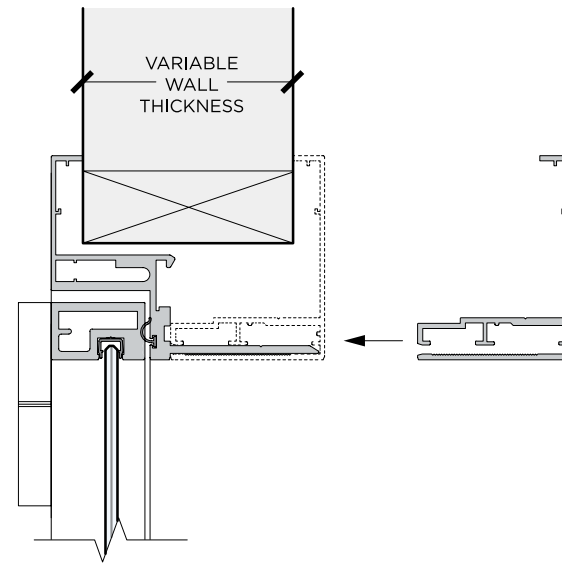


## Ease of installation



### SIMPLE PANEL ASSEMBLY

All door panels come with installation instructions labeled to match shop drawings for easy set-up and assembly.



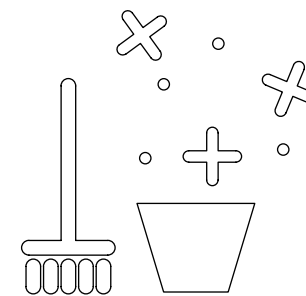
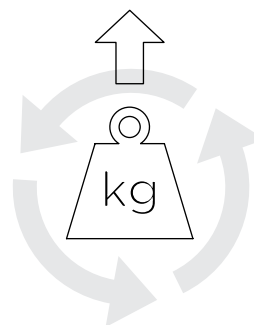
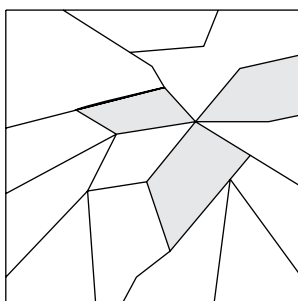
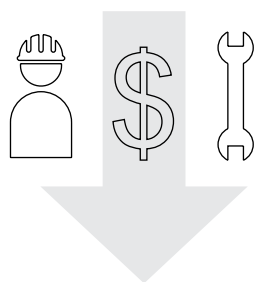
### PRE-ASSEMBLED COMPONENTS

Door panels come pre-assembled and glazed, with frames pre-mitered, allowing an efficient installation process.

## Life cycle maintenance

CARVART products are fully dry-glazed, eliminating the unnecessary labor and maintenance costs associated with standard sliding door systems. This, in conjunction with CARVART's reliable archive of shop drawings allows for efficient replacement.

The hardware is cycle-tested at high frequencies to ensure durability, over-engineered strength and quality. Finally, products are easy to clean due to minimal profiles and overall limited hardware.



### EASE OF INSTALLATION

CARVART's products are engineered to be light-weight and ergonomic, facilitating installation and eliminating unnecessary labor costs due to complex assembly methods.

### EASY TO REPLACE

Minimal hardware with easy access to hinges, tracks and trolleys making replacement efficient and hassle-free.

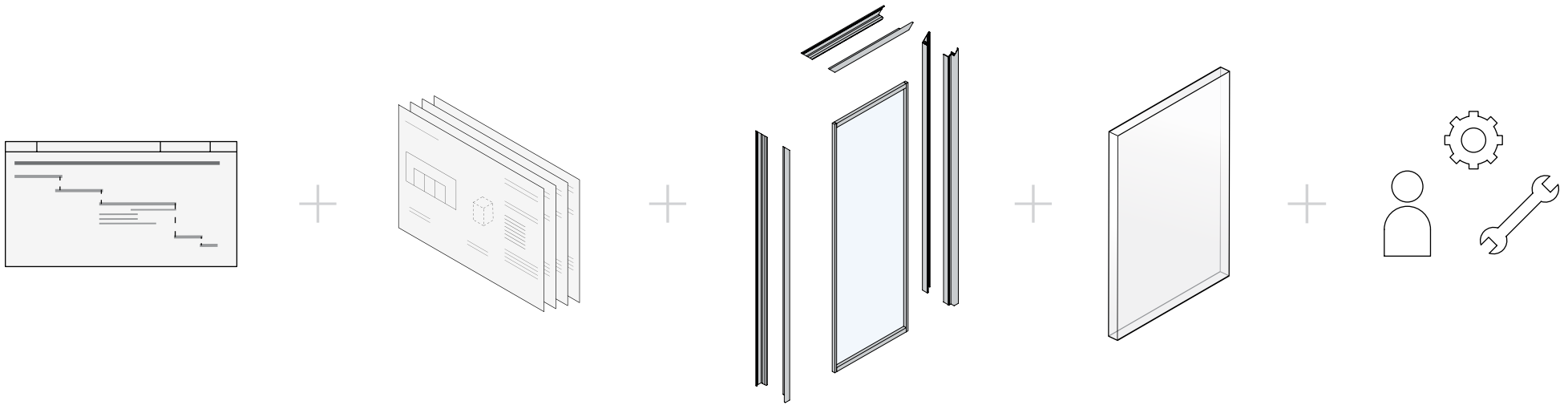
### HIGH-CYCLE TESTED DURABILITY

All CARVART glassDOORS are cycle-tested to hundreds of thousands of cycles, and rated for weights that exceed beyond maximum panel size.

### CLEANING AND MAINTENANCE

Once system is properly installed, virtually no maintenance is needed. Additionally, profiles have minimum reveals and crevices, significantly reducing dust collection.

# Project management coordination



## COORDINATION AND SHOP DRAWINGS

- CARVART offers full scheduling coordination and phasing for custom project delivery
- Full range of coordination and shop drawing/engineering services
- Dedicated project managers are assigned to each project for maximum success

## HARDWARE OPTIONS

- Provide full range of hardware options for infinite design and site conditions
- Multiple design options

## GLASS DESIGN AND DEVELOPMENT

- Glass design and development services integrate standard and custom glass selections with available hardware options

## POST-DELIVERY SERVICES

- Installation training specific to project and product
- Project-specific service levels (including phased deliveries and shipping)
- Project logistics can ship by floor or designated area

**COREglass**



**COLORglass**

**Translucent Whites Laminated**

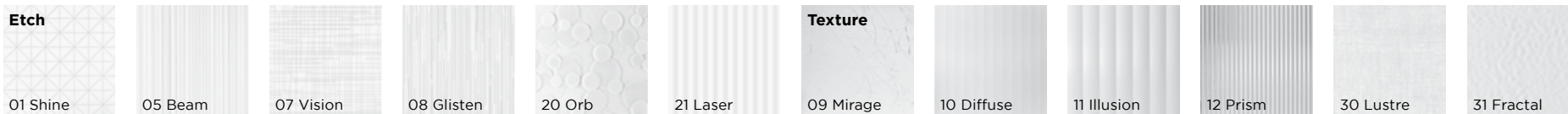


**COLORglass**

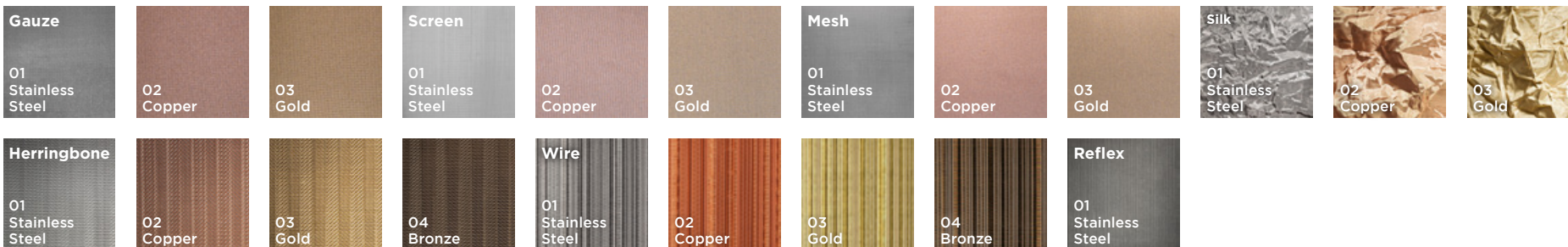
**Transparent Laminated**



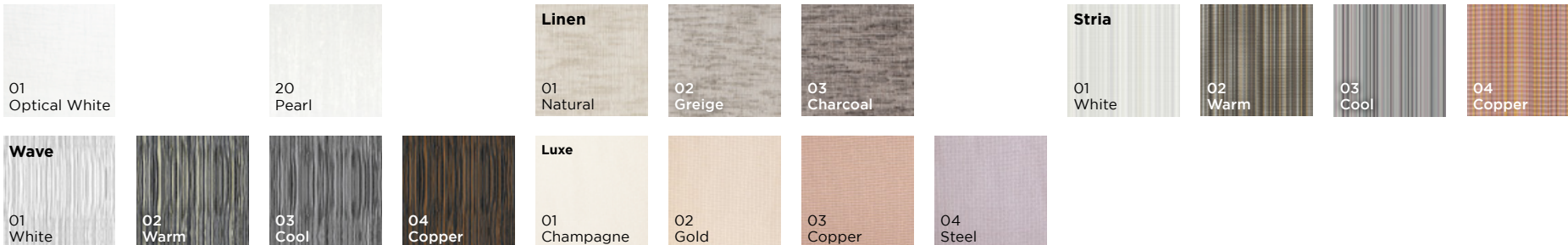
**PATTERN glass**



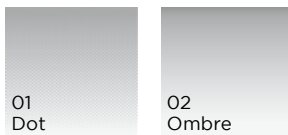
**METALLIC glass**



**TEXTILE glass**



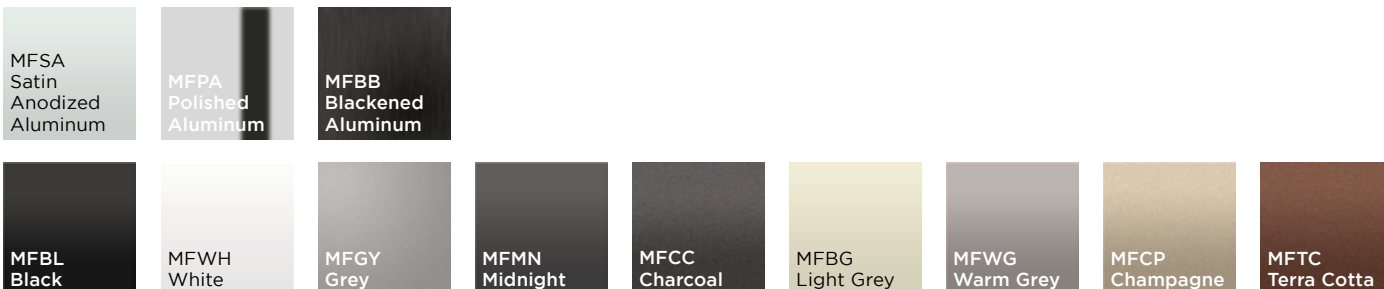
**GRADIENT glass**



**COVERT glass**

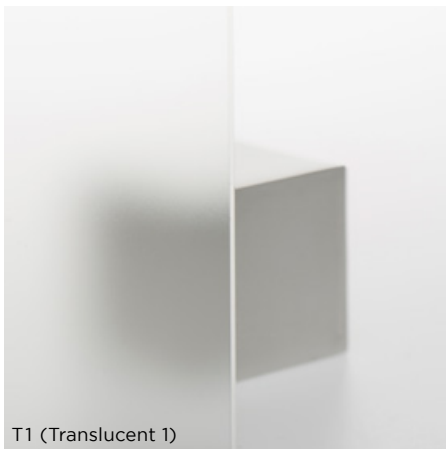
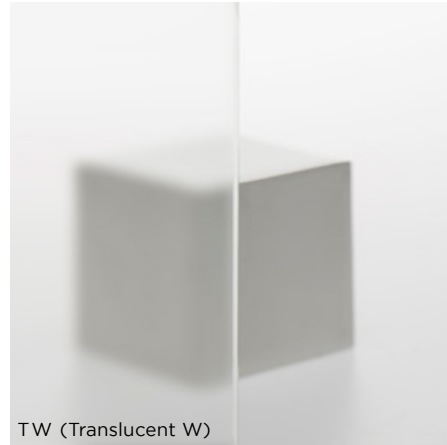
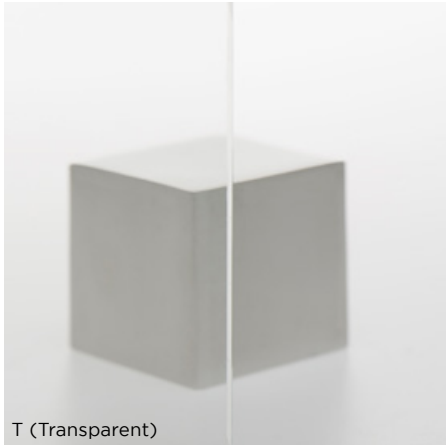


**HARDWARE**



# Views

Shown in order  
of lowest  
to highest  
translucency



CARVART®